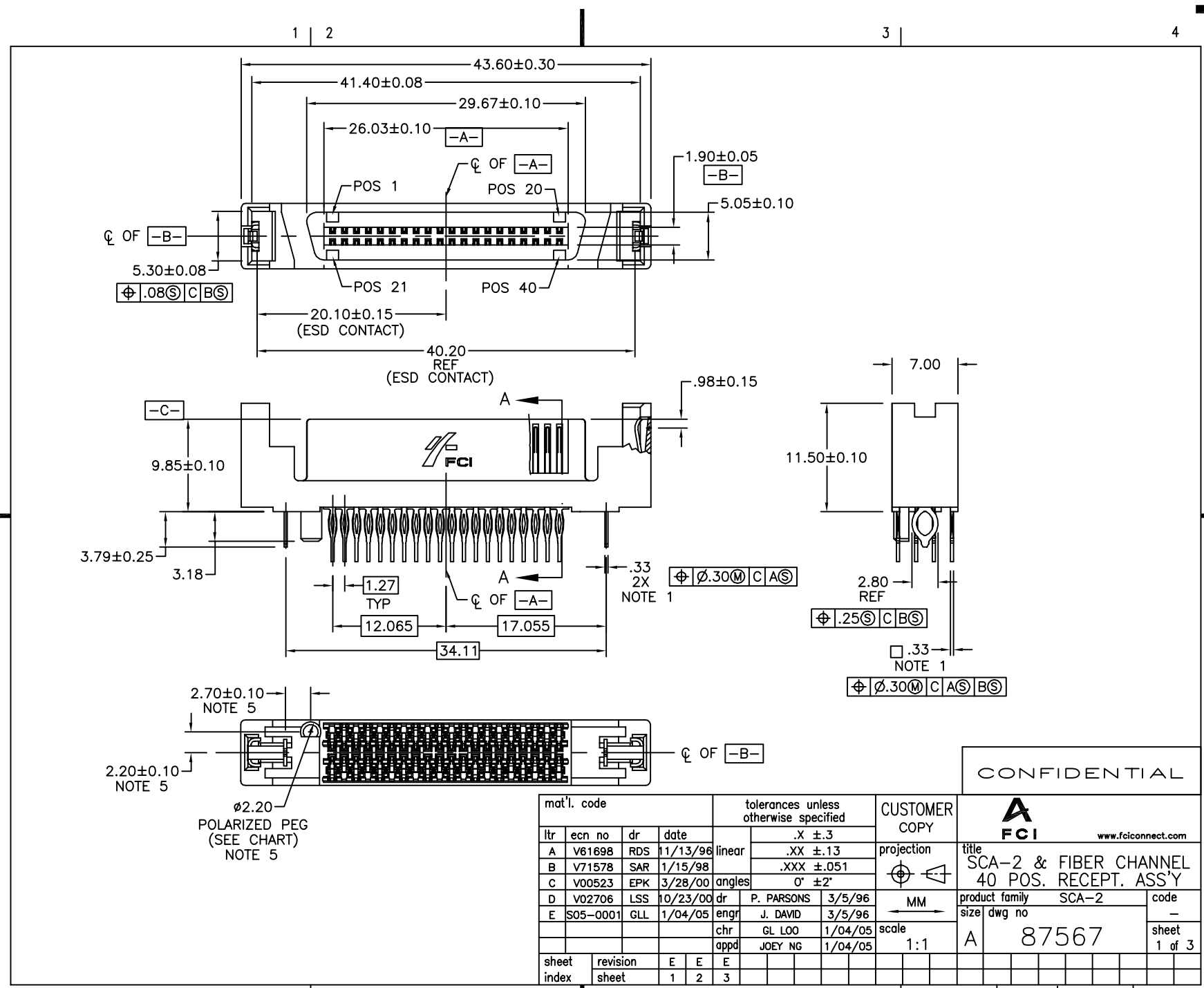


Tous droits strictement reserves. Reproduction ou communication a des tiers interdite sous quelque forme que ce soit sans autorisation ecrite du proprietaire. Propriete de c FCI. Droits de reproduction FCI.



All rights strictly reserved. Reproduction or issue to third parties in any form whatever is not permitted without written authority from the proprietor. Property of FCI. Copyright FCI.



CONFIDENTIAL



mat'l. code				tolerances unless otherwise specified			CUSTOMER COPY	projection	title
ltr	ecn no	dr	date	linear	.X ±.3				
A	V61698	RDS	11/13/98		.XX ±.13			40 POS. RECEPT. ASS'Y	
B	V71578	SAR	1/15/98	angles	.XXX ±.051				
C	V00523	EPK	3/28/00		0° ±2°				
D	V02706	LSS	10/23/00	dr	P. PARSONS	3/5/96		product family	
E	S05-0001	GLL	1/04/05	enfr	J. DAVID	3/5/96		SCA-2	
				chr	GL L00	1/04/05		code	
				appd	JOEY NG	1/04/05		size	
								dwg no	
								A	
sheet index	revision sheet	E	E	E				87567	
		1	2	3				sheet 1 of 3	

cage code 22526

ACAD

PDM: Rev:E

STATUS: Released

Printed: Mar 11, 2011

Tous droits strictement reserves. Reproduction ou communication a des tiers interdite sous quelque forme que ce soit sans autorisation ecrite du proprietaire. Propriete de c FCI. Droits de reproduction FCI.

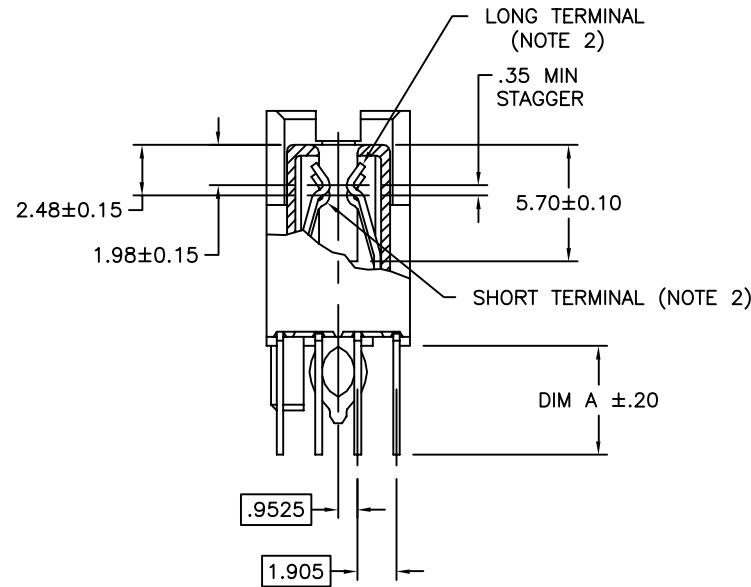


All rights strictly reserved. Reproduction or issue to third parties in any form whatever is not permitted without written authority from the proprietor. Property of FCI. Copyright FCI.

1 | 2

3 |

4



SECTION A-A

CONFIDENTIAL

mat'l. code				tolerances unless otherwise specified			CUSTOMER COPY		 www.fciconnect.com		
ltr	ecn no	dr	date	linear	.X ±.3		projection	title SCA-2 & FIBER CHANNEL 40 POS. RECEPT. ASS'Y			
E					.XX ±.13						
					.XXX ±.051						
				angles	0° ±2°		 MM	product family SCA-2		code	
				dr	P. PARSONS	3/5/96		scale	size		sheet
				enfr	J. DAVID	3/5/96			dwg no		
				chr	GL L00	1/04/05	A 87567				
				appd	JOEY NG	1/04/05	2:1		2 of		
sheet index	revision sheet										

1 | 2

3 |

4

ACAD

cage code
22526

Tous droits strictement reserves. Reproduction ou communication a des tiers interdite sous quelque forme que ce soit sans autorisation écrite du propriétaire. Propriete de c FCI. Droits de reproduction FCI.



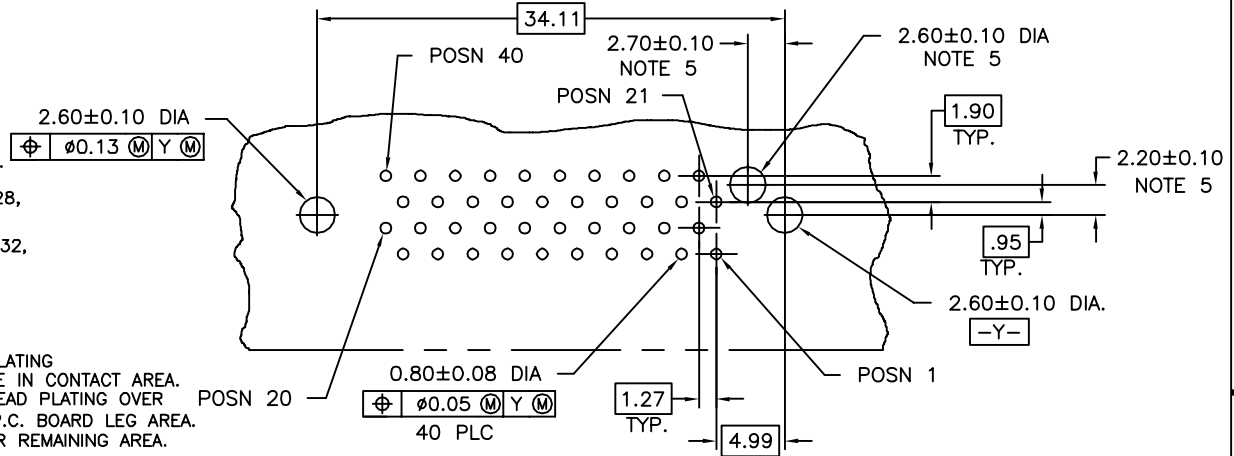
All rights strictly reserved. Reproduction or issue to third parties in any form whatever is not permitted without written authority from the proprietor. Property of FCI. Copyright FCI.

PRODUCT NO.	"A" DIM	POLARIZATION PEG	PLATING	RECOMMENDED P.C. BOARD THICKNESS	PRODUCT NO.	PLATING	PRODUCT NO.	PLATING	PRODUCT NO.	PLATING
87567-001	3.79	YES	NOTE ④	2.36mm (0.093") AND 3.18mm (0.125")	87567-101	NOTE ⑥	87567-001LF	NOTE ⑧	87567-101LF	NOTE ⑦
-002	3.79	NO			-102		-002LF		-102LF	
-003	4.60	YES			-103		-003LF		-103LF	
87567-004	4.60	NO			87567-104		87567-004LF		87567-104LF	

NOTE 6 | NOTE 8 | NOTE 7

NOTES :

- ① TRUE POSITION NOTES APPLY AT TERMINAL TIP.
- ② CONTACTS IN POSITIONS 1 THRU 20, 24, 25, 27, 28, 30, 31, 33, AND 34 ARE SHORT TERMINALS. CONTACTS IN POSITIONS 21, 22, 23, 26, 29, 32, AND 35 THRU 40 ARE LONG TERMINALS.
- ③ RAW MATERIALS:
HOUSING: HTN, UL94V-0, COLOR: BLACK
CONTACTS: PHOSPHOR-BRONZE
- ④ CONTACT PLATING: 30µ" (0.76µm) MIN. GXT PLATING OVER 50µ" (1.27µm) NICKLE MIN. UNDERPLATE IN CONTACT AREA. 20µ" (0.5µm) MIN. 60µ" (1.5µm) MAX. TIN-LEAD PLATING OVER 50µ" (1.27µm) MIN. NICKLE UNDERPLATE IN P.C. BOARD LEG AREA. 50µ" (1.27µm) MIN. NICKLE UNDERPLATE OVER REMAINING AREA.
- ⑤ DIMENSIONS DO NOT APPLY TO CONNECTOR STYLES WITHOUT POLARIZATION PEG. (SEE CHART)
- ⑥ CONTACT PLATING: 30µ" (0.76µm) MIN GOLD PLATING OVER 50µ" (1.27µm) NICKLE UNDERPLATE IN CONTACT AREA. 20µ" (0.5µm) MIN-60µ" (1.5µm) MAX TIN-LEAD PLATING OVER 50µ" (1.27µm) MIN. NICKLE UNDERPLATE IN P.C. BOARD LEG AREA. 50µ" (1.27µm) MIN. NICKLE UNDERPLATE OVER REMAINING AREA.
- ⑦ CONTACT PLATING: 30µ" (0.76µm) GOLD PLATING OVER 50µ" (1.27µm) NICKLE UNDERPLATE IN CONTACT AREA. 20µ" (0.5µm) - 60µ" (1.5µm) TIN PLATING OVER 50µ" (1.27µm) - 100µ" (2.54µm) NICKEL UNDERPLATE IN P.C. BOARD LEG AREA. 50µ" (1.27µm) NICKEL UNDERPLATE OVER REMAINING AREA.
- ⑧ CONTACT PLATING: 30µ" (0.76µm) GXT PLATING OVER 50µ" (1.27µm) NICKLE UNDERPLATE IN CONTACT AREA. 20µ" (0.5µm) - 60µ" (1.5µm) TIN PLATING OVER 50µ" (1.27µm) - 100µ" (2.54µm) NICKEL UNDERPLATE IN P.C. BOARD LEG AREA. 50µ" (1.27µm) NICKEL UNDERPLATE OVER REMAINING AREA.
- ⑨ THE HOUSING WILL WITHSTAND EXPOSURE TO 260 °C PEAK TEMPERATURE FOR 10 SECONDS IN A CONVECTION, INFRA RED VAPOR PHASE REFLOW OVEN.
- ⑩ THIS PRODUCT MEETS EUROPEAN UNION DIRECTIVES AND OTHER COUNTRY REGULATIONS AS DESCRIBED IN GS-22-008.



RECOMMENDED PC BOARD MOUNTING DIMENSIONS COMPONENT SIDE

CONFIDENTIAL

mat'l. code		tolerances unless otherwise specified		CUSTOMER COPY		FCI www.fciconnect.com	
ltr	ecn no	dr	date	linear	.X ±.3	projection	title SCA-2 & FIBER CHANNEL 40 POS. RECEPT. ASS'Y
E					.XX ±.13	MM	
				angles	.XXX ±.051		
				dr	P. PARSONS 3/5/96	scale	product family
				engr	J. DAVID 3/5/96	2:1	SCA-2
				chr	GL LOO 1/04/05		code
				appd	JOEY NG 1/04/05		size
sheet index	revision sheet						dwg no
							A 87567
							sheet 3 of 3

cage code
22526

ACAD

X-ON Electronics

Largest Supplier of Electrical and Electronic Components

Click to view similar products for [High Speed/Modular Connectors](#) category:

Click to view products by [Amphenol](#) manufacturer:

Other Similar products are found below :

[650827-1](#) [74040-1346](#) [1410191-1](#) [1410337-1](#) [1410368-3](#) [1410367-3](#) [1410971-4](#) [1467833-1](#) [2000877-1](#) [2000878-1](#) [2041314-1](#) [2065387-1](#)
[2187307-1](#) [163P](#) [1934290-1](#) [2000875-1](#) [2065799-1](#) [2065917-1](#) [2102736-2](#) [FSR-40](#) [2169868-2](#) [22354-8](#) [437-5040-000](#) [039-0246-000](#)
[0740618502](#) [0761601016](#) [73774-1000](#) [030-2415-003/100 PK](#) [030-7380-004](#) [030-2494-001](#) [532939-1](#) [5532901-3](#) [3-1469268-7](#) [UMK-SE](#)
[11,25-1](#) [74748-102LF](#) [10041743-101LF](#) [10066670-100002LF](#) [1-533915-1](#) [249-4515-000](#) [7-1469373-3](#) [DL2-2J/S](#) [2000713-8](#) [2000713-7](#)
[10124313-101LF](#) [1410189-2](#) [3011-21](#) [EBTF-4-10-2.0-S-RA-1](#) [430305-001](#) [4395800100](#) [8140115](#)