

PRODUCT NUMBER  
87690-YXXRLF

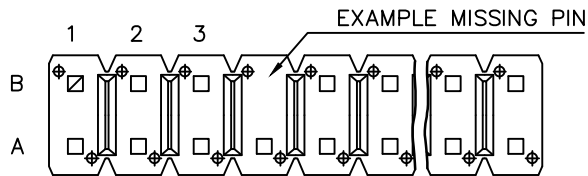
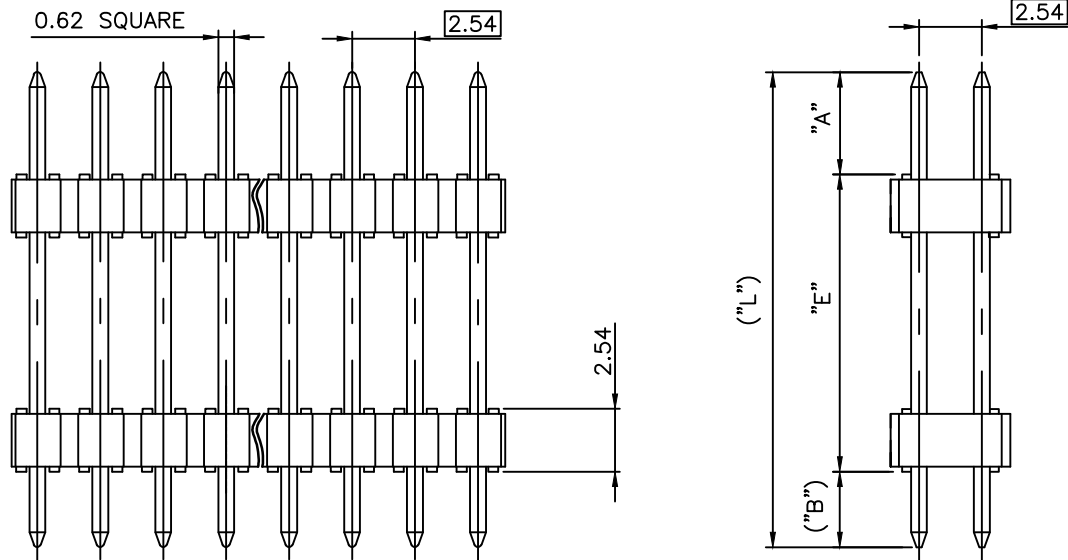
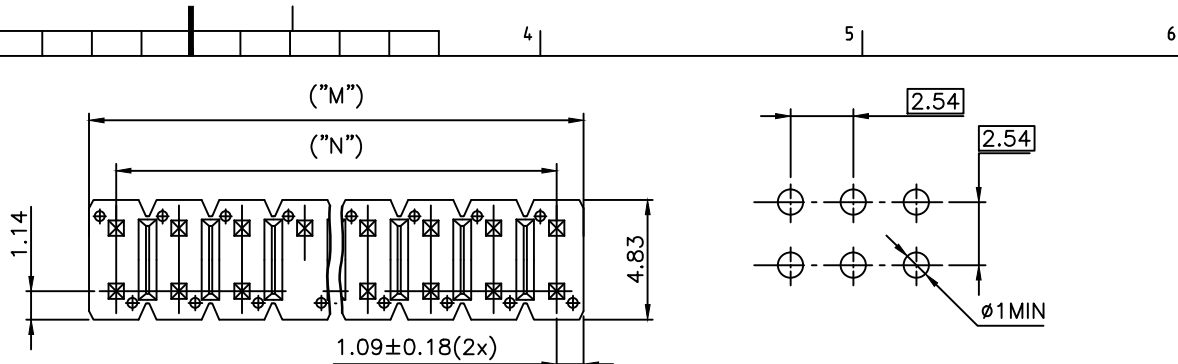
- RoHS COMPATIBLE, SEE NOTE 6
- OPTION, NOTE 4.
- PIN STYLE, SHEET 2.

PLATING

- 1 = 0.76µm FULL GOLD/GXT, OVER 1.27µm Ni MIN
- 3 = 3.81µm FULL TIN/LEAD OVER 1.27µm Ni MIN.  
WHEN "LF" IS REQUIRED, 2µm MATTE TIN OVER  
1.27µm MIN NICKEL IS PROVIDED INSTEAD OF TIN-LEAD
- 7 = FULL GOLD FLASH, OVER 1.27µm Ni MIN
- 8 = 0.38µm FULL GOLD/GXT, OVER 1.27µm Ni MIN

NOTES:

1. HOUSING MAT'L : HIGH TEMPERATURE THERMOPLASTIC. UL94V-0 COLOR: BLACK.
2. PIN MATERIAL : PHOSPHOR BRONZE.
3. 12N MIN RETENTION IN EITHER DIRECTION.
4. FOR RETENTION FEATURE DETAILS, SEE SHEET 3. OMIT IF FEATURE NOT APPLICABLE
5. STANDARD PACKAGING IN POLYBAGS.
6. RoHS COMPATIBLE PRODUCT SPECIFICATIONS
  - a - PLATING:
    - "LF" MEANS THE PRODUCT IS LEAD-FREE, 2µm MINIMUM MATTE TIN OVER 1.27µm MINIMUM NICKEL UNDERPLATE.
  - b - MANUFACTURING PROCESS COMPATIBILITY
    - THE HOUSING WILL WITHSTAND EXPOSURE TO 260°C ±5°C SOLDER BATH TEMPERATURE FOR 5 SECONDS IN A WAVE SOLDER APPLICATION WITH A 1.6mm MIN THICK CIRCUIT BOARD.
  - c - LABELING:
    - MEETS PACKAGING SPECS AS PER GS-14-920
  - d - LEGAL STATEMENT: SEE GS-47-0004



BOTTOM VIEW

mat'l. code SEE NOTES		surface ISO 1302 ✓		tolerance ISO 406 ISO 1101		projection mm		product family BSTIK	
ltr ecn no dr date		tolerances unless otherwise specified		.x ±0.3		mm		title HEADER STR,DR DOUBLE BODY POL	
V F12-0043 LMU 12.05.02		angles		.xx ±0.15		scale 5:1		dwg no 87690	
W B-19782 AMA 14.12.18		Linear		xxx ±0.05		FCI		sheet 1 of 3 size A3	
X B-21151 AMA 15.06.15		dr		O. MATHEVON 96.06.07				type CUSTOMER Drawing	
Y F-22417 JJU 15.11.05		enr		COMPAGNON J 96.06.07					
T F05-0291 JCO 05.11.14		chr		JMC 96.06.07					
U F06-0196 LMU 06.06.20		appd		JMC 96.06.07					
sheet index	revision sheet	Y 1	V 2	G 3					



FCIconnect.com

Copyright FCI

PRODUCT NUMBER	PRODUCT DIMENSIONS							VIEW OF MISSING PINS POSITION FROM BOTTOM VIEW							
	NBR POS	"A" ±0.2	"E" ±0.25	"B" ±0.25	("L") REF	("M") REF	("N") REF	1	5	10	15	20	25	30	35
87690-X07	2x10	11.96	18.5	3.2	33.66	25.4	22.86								
87690-X10	2x10	11.96	18.5	3.2	33.66	25.4	22.86								
87690-X15	2x07	11.96	18.5	3.2	33.66	17.78	15.24								
87690-X18	2x09	4.95	6.00	4.95	15.90	22.86	20.82								
87690-X19	2x09	8.60	6.00	8.60	23.20	22.86	20.82								
87690-X20	2x10	6.00	14.70	3.30	24.00	25.4	22.86								
87690-X21	2x19	6.00	14.70	3.30	24.00	48.26	45.72								
87690-X22	2x13	10.50	7.75	10.50	28.80	33.02	30.48								
87690-X23	2x14	8.60	6.00	8.60	23.20	35.56	33.02								
87690-X24	2x14	8.95	6.00	8.95	23.9	35.56	33.02								



Copyright FCI

mat'l. code		surface		tolerance		projection		product family	
		ISO 1302 ✓		ISO 406 ISO 1101				BSTIK	
ltr	ecn no	dr	date	tolerances unless otherwise specified				title	
V	F-22417	JJU	15.11.05	angles		Linear		mm	
P	F05-0291	JCO	05.11.14			scale N/A		HEADER STR,DR DOUBLE BODY POL	
R	F06-0196	LMU	06.06.20	dr	O. MATHEVON	96.06.07		dwg no	
S	F12-0043	LMU	12.05.02	enr	JMC	96.06.07		sheet 2 of - size	
T	B-19776	AMA	14.12.18	chr	JMC	96.06.07		87690 A3	
U	B-21151	AMA	15.06.15	appd	JMC	96.06.07		type CUSTOMER Drawing	
sheet	revision								
index	sheet								

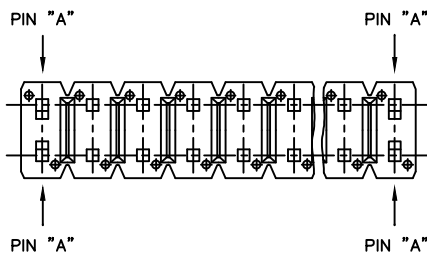
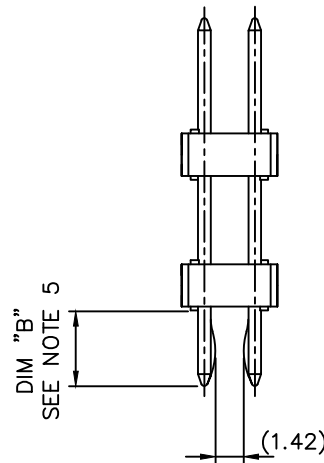
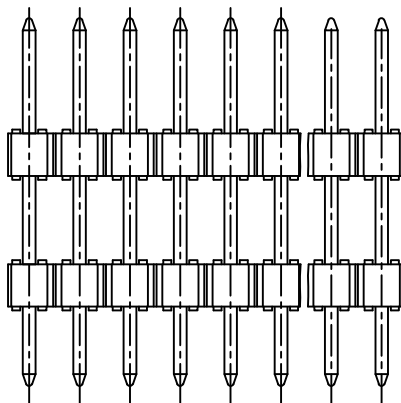
1

2 3

4

5

6



NOTES:

- 1 - PART NUMBER 87690-YXX
- 2 - PINS "A" USED FOR RETENTION.
- 3 - DIRECTION OF RETENTION SHOWN BY ARROWS.
- 4 - KINKED LEGS LOCATION CAN BE MOVED IF A PIN IS MISSING.
- 5 - RETENTION VERSION ONLY AVAILABLE WHEN DIM "B" IS BETWEEN 2.9 mm AND 3.5 mm.
- 6 - 2 AND 3 POSN KINKED HEADER ARE NOT AVAILABLE.

"R" INDICATES A RETENTION HEADER.



Copyright FCI

mat'l. code		surface		tolerance		projection		product family	
		ISO 1302		ISO 406 ISO 1101		mm		BSTIK	
ltr		ecn no		dr		date		title	
A		F60421		OMA		96.06.07		HEADER STR,DR	
B		70102		JMC		97.01.10		DOUBLE BODY POL	
C		F70179		JMC		97.03.28		scale N/A	
D		F70815		OMA		97.12.23		dr	
E		F80321		JMC		98.05.04		engr JMC	
F		F05-0291		JCO		05.11.14		chr JMC	
G		F06-0196		LMU		06.06.20		appd JMC	
sheet		revision							
index		sheet							



## X-ON Electronics

Largest Supplier of Electrical and Electronic Components

*Click to view similar products for [Headers & Wire Housings](#) category:*

*Click to view products by [Amphenol](#) manufacturer:*

Other Similar products are found below :

[892-18-020-10-001101](#) [58102-G61-06LF](#) [582553-1](#) [0009485154](#) [009176003701906](#) [0050291907](#) [LY20-4P-DT1-P1E-BR](#) [02.125.8002.8](#)  
[609-3404](#) [61062-3](#) [622-0430](#) [622-3653LF](#) [63453-116](#) [636-1030](#) [636-1427](#) [636-3427](#) [636-4007](#) [641938-9](#) [641991-4](#) [644827-2](#) [65817-010LF](#)  
[65817-015LF](#) [65863-015LF](#) [66207-023LF](#) [67095-007LF](#) [67601157](#) [68648-049](#) [70.362.1628.0](#) [70-4210](#) [70-4226B](#) [70-4853B](#) [707-5020](#) [707-5028](#) [71.350.2428.0](#) [71918-208LF](#) [71961-016LF](#) [733-134](#) [733-162](#) [754199-000](#) [760-3052](#) [787-8014-00](#) [79531-3000](#) [FCN-360C032-B](#) [FCN-367T-T012/H](#) [FCN-723D010/2](#) [80.063.4001.1](#) [800-90-001-10-001000](#) [800-90-010-10-002000](#) [801-43-002-10-013000](#) [801-43-006-10-002000](#)