

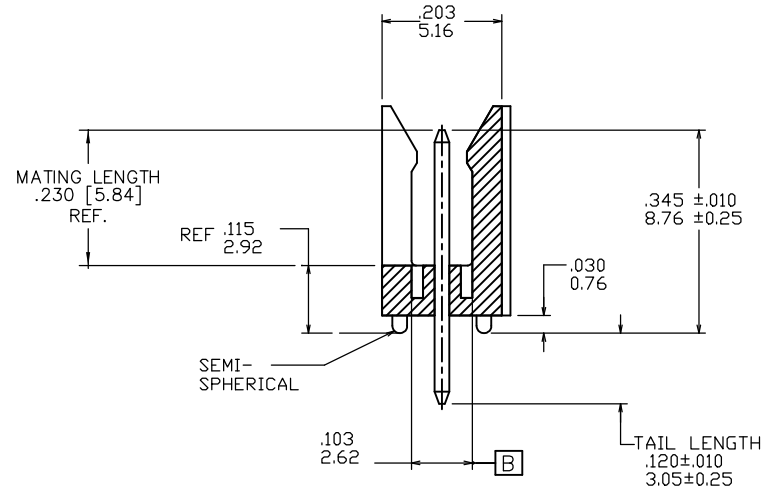
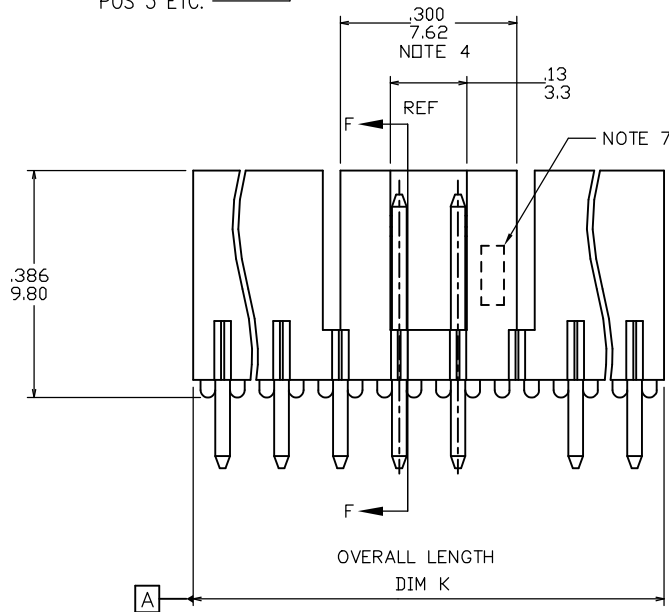
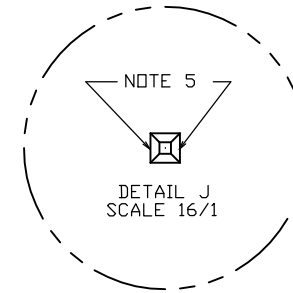
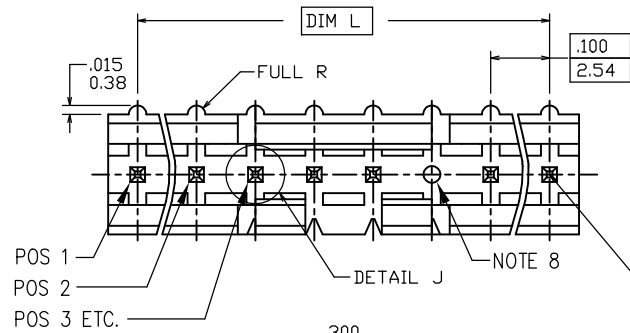
PRODUCT NO.  
87800-XYHHLF

LEAD FREE OPTION  
NOTE 8, 9, 10

SEE TABLE

PIN PLATING

BASE PART  
NUMBER



SECTION F-F

Amphenol  
FCI

© 2016 AFCI

Mat'l. code NOTES 1 & 2		surface ISO 1302 ✓		tolerance ISO 406 ISO 1101		projection ASME Y14.5		product family	
ltr	ecn no	dr	date	tolerances unless otherwise specified				title	
M	ELX-N-11987	JZ	05/31/12	angles	linear	XXX.X/XXX.X	inch/mm	FRICITION LATCH HEADER POLARIZED, SINGLE ROW VERT	
N	ELX-N-37212	M.Z	05/29/20	0°±2°		XXXX.000/XXXX.01	scale 1:1		
		dr	ZK HU	06/14/13				dwg no	
		enr	ZK HU	06/14/13				sheet 1 of 2	
		chr	RICK BIAN	06/14/13				size	
		appd	RICK BIAN	06/14/13				A3	
sheet		revision		B	B			type Product Customer Drawing	
index	sheet	1	2						

PRODUCT NUMBER	NO OF POS	DIM K OVERALL LENGTH	DIM L	POLARIZED POSITION
87800-X01	1 X 3	.300/ 7.62	.200/ 5.08	3
-X02	1 X 4	.400/10.16	.300/ 7.62	3
-X03	1 X 5	.500/12.70	.400/10.16	4
-X04	1 X 6	.600/15.24	.500/12.70	5
-X05	1 X 7	.700/17.78	.600/15.24	6
-X06	1 X 8	.800/20.32	.700/17.78	7
-X07	1 X 9	.900/22.86	.800/20.32	8
-X08	1 X 12	1.200/30.48	1.100/27.94	11
-X09	1 X 13	1.300/33.02	1.200/30.48	12
-X10	1 X 8	.800/20.32	.700/17.78	6
-X11	1 X 4	.400/10.16	.300/ 7.62	1
-X12	1 X 4	.400/10.16	.300/ 7.62	2 & 3
87800-X13	1 X 4	.400/10.16	.300/ 7.62	2

NOTES:

- MOLDING MAT'L: GLASS REINFORCED HTN OR MINERAL FILLED LCP COLOR: BLACK FLAME RETARDANT PER UL 94V-0  
MAXIMUM OPERATING TEMPERATURE: 130° C
  - PIN MATERIAL: 3/4 HD PHOS. BRZ.
  - NO SLOTS ON 2 X 5 POSITION OR SMALLER PRODUCT. THE CENTER KEY SLOT WILL BE ON ALL HEADERS REGARDLESS OF SIZE.
  - TWO NON-CRITICAL SIDES OF PIN TIP NOT PLATED, BOTH ENDS.
  - POSITION NUMBERS NOT SHOWN ON PART.
  - COMPANY LOGO MAY APPEAR IN THIS AREA.
  - PINS OMITTED FROM INDICATED POSITIONS FOR POLARIZATION (SEE TABLE).
  - ADD "HLF" SUFFIX AT THE END OF PART NUMBER FOR LEAD FREE OPTION, NOT AVAILABLE FOR -5YY, -5YYH, -6YY & -6YYH.
  - PART NUMBERS WITH "H" SUFFIX WILL WITHSTAND EXPOSURE TO 260°C PEAK TEMPERATURE FOR 20 SECONDS IN WAVE SOLDER, INFRA-RED OR VAPOR PHASE SOLDER PROCESS.
- PART NUMBERS WITHOUT "H" SUFFIX WILL WITHSTAND EXPOSURE TO 260°C PEAK TEMPERATURE FOR WAVE SOLDER PROCESS.
- THIS PRODUCT MEETS EUROPEAN UNION DIRECTIVES AND OTHER COUNTRY REGULATION AS DESCRIBED IN GS-22-008.
  - PLATING OPTIONS:  
PERFORMANCE PLATING WILL BE EITHER GOLD OR GXT ON CONTACT OR TAIL, OPTIONALLY (78~295u"/2~7.5u) TIN ON TAIL.
  - "THIS PRODUCT HAS 100% TIN PLATING IN THE INTERFACE AND HAS NOT BEEN TESTED FOR WHISKER GROWTH IN ALL INTERCONNECT ENVIRONMENTS."

PIN PLATING CODES

-1YY	30u"/.76u MIN (SEE NOTE 11) 50u"/1.27u Ni
-2YY	15u"/.38u MIN (SEE NOTE 11) 50u"/1.27u Ni
-3YY	50u"/1.27u MIN (SEE NOTE 11) 50u"/1.27u Ni
-4YY	100u"/2.54u MIN Sn 50u"/1.27u Ni (SEE NOTE 12)
-4YYHLF	
-5YY	15u"/.38u MIN (SEE NOTE 11) 50u"/1.27u Ni
-6YY	30u"/.76u MIN (SEE NOTE 11) 50u"/1.27u Ni
-7YY	30u"/.76u MIN (SEE NOTE 11) OVER 50u"/1.27u MIN Ni
-8YY	15u"/.38u MIN (SEE NOTE 11) OVER 50u"/1.27u MIN Ni

Mat'l. code NOTES 1 & 2	surface ISO 1302 ✓	tolerance ISO 206 ISO 1101	projection 	product family
ltr	ecn no	dr	date	tolerances unless otherwise specified
N				angles linear
				0°±2°
				dr ZK HU 06/14/13
				enrg ZK HU 06/14/13
				chr RICK BIAN 06/14/13
				appd RICK BIAN 06/14/13
sheet index	revision sheet			

title: FRICTION LATCH HEADER POLARIZED, SINGLE ROW VERT

scale 1:1

Amphenol FCI

dwg no: 87800 sheet 2 of 2 size: A3

type Product Customer Drawing

## X-ON Electronics

Largest Supplier of Electrical and Electronic Components

*Click to view similar products for [Headers & Wire Housings](#) category:*

*Click to view products by [Amphenol](#) manufacturer:*

Other Similar products are found below :

[892-18-020-10-001101](#) [58102-G61-06LF](#) [582553-1](#) [0009485154](#) [009176003701906](#) [0050291907](#) [LY20-4P-DT1-P1E-BR](#) [02.125.8002.8](#)  
[609-3404](#) [61062-3](#) [622-0430](#) [622-3653LF](#) [63453-116](#) [636-1030](#) [636-1427](#) [636-3427](#) [636-4007](#) [641938-9](#) [641991-4](#) [644827-2](#) [65817-010LF](#)  
[65817-015LF](#) [65863-015LF](#) [66207-023LF](#) [67095-007LF](#) [67601157](#) [68648-049](#) [70.362.1628.0](#) [70-4210](#) [70-4226B](#) [70-4853B](#) [707-5020](#) [707-](#)  
[5028](#) [71.350.2428.0](#) [71918-208LF](#) [71961-016LF](#) [733-134](#) [733-162](#) [754199-000](#) [760-3052](#) [787-8014-00](#) [79531-3000](#) [FCN-360C032-B](#) [FCN-](#)  
[367T-T012/H](#) [FCN-723D010/2](#) [80.063.4001.1](#) [800-90-001-10-001000](#) [800-90-010-10-002000](#) [801-43-002-10-013000](#) [801-43-006-10-002000](#)