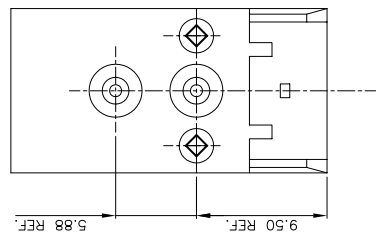
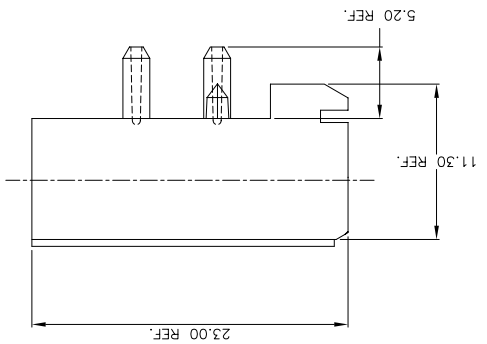
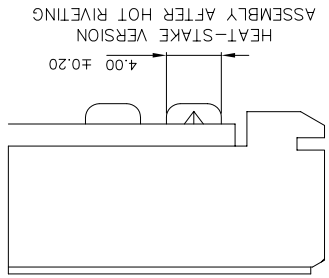
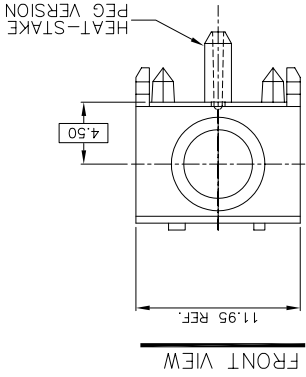




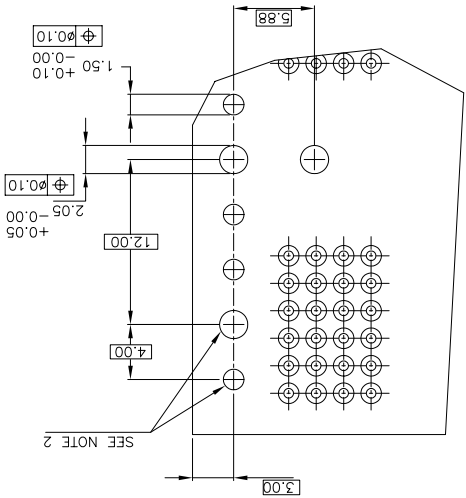
PRODUCT NUMBER	88917-101 & -101LF
DESCRIPTION	HEAT STAKE VERSION



NOTE:

- ① HOUSING MATERIAL: LCP, 30% GLASS FILLED
FLAME RETARDANT PER UL 94V-0.
COLOR: NATURAL
- ② INDICATED HOLES ARE UNPLATED
- ③ PART NUMBER WITH "LF" SUFFIX AT THE END ARE LEAD FREE OPTION
- ④ THIS PRODUCT MEETS EUROPEAN UNION DIRECTIVES AND OTHER
COUNTRY REGULATION AS DESCRIBED IN GS-22-008.
- ⑤ THE HOUSING WILL WITHSTAND EXPOSURE TO 260°C PEAK
TEMPERATURE FOR 15 SECONDS IN A WAVE SOLDER APPLICATION
WITH A 1.5mm MINIMUM THICK CIRCUIT BOARD OR FOR 10-20
SECONDS IN A CONVECTION, INFRA-RED OR VAPOR PHASE REFLOW
OVEN. SEE APPLICATION NOTES/PROCEDURES IF THEY ARE AVAILABLE.

REQUIRED PC BOARD LAYOUT
COMPONENT SIDE



mat'l. code	SEE NOTES
surface tolerance	ISO 1302
tolerance	ISO 406 ISO 1101
projection	
product family	METRAL ACC.
title	RECEPTACLE GUIDE
mm	
scale	1:1
lineartol	xxx ±.005/.13
angles	0°±.2
o.f.z.	S. STONER
date	9/30/93
itr	
ecn no	
dr	
MDF	7/23/98
G	H80473
H	V02701
J	V1668
K	V12868
L	M05-0262
M	M06-0286
sheet revision	M M M M M M M M
sheet	1 2 3 4
index	

dwg no 88917
sheet 1 of 4 size A3

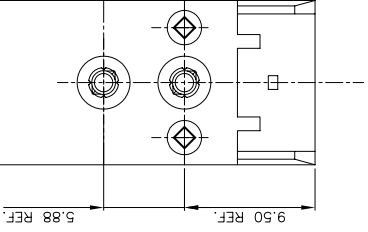
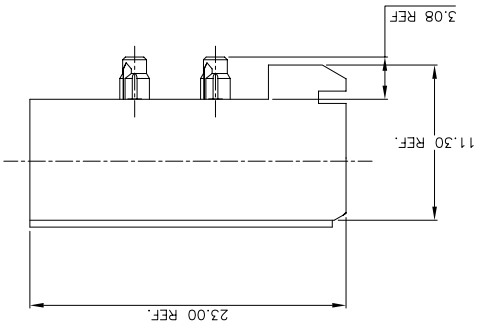
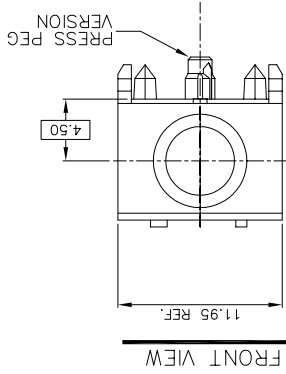


type Product Customer Drawing

product family METRAL ACC.

D
Copyright FCI
FCIconnect.com
A

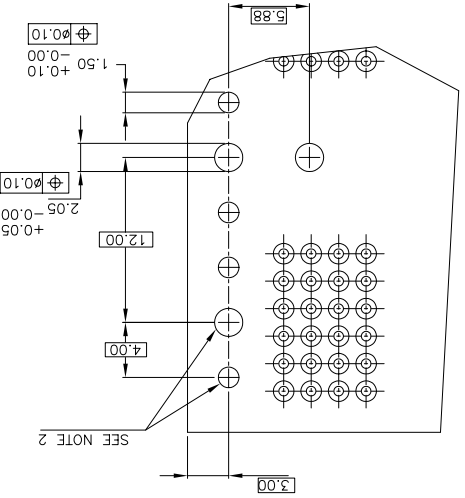
PRODUCT NUMBER	88917-201 & -201LF
DESCRIPTION	PRESS-PEG VERSION



NOTE:

- ① HOUSING MATERIAL: LCP, 30% GLASS FILLED
- ② FLAME RETARDANT PER UL 94V-0.
- ③ COLOR: NATURAL
- ④ INDICATED HOLES ARE UNPLATED
- ⑤ PART NUMBER WITH "LF" SUFFIX AT THE END ARE LEAD FREE OPTION
- ④ THIS PRODUCT MEETS EUROPEAN UNION DIRECTIVES AND OTHER COUNTRY REGULATION AS DESCRIBED IN GS-22-008.
- ⑤ THE HOUSING WILL WITHSTAND EXPOSURE TO 260°C PEAK TEMPERATURE FOR 15 SECONDS IN A WAVE SOLDER APPLICATION WITH A 1.5mm MINIMUM THICK CIRCUIT BOARD OR FOR 10-20 SECONDS IN A CONVECTION, INFRA-RED OR VAPOR PHASE REFLOW OVEN. SEE APPLICATION NOTES/PROCEDURES IF THEY ARE AVAILABLE.

REQUIRED PC BOARD LAYOUT
COMPONENT SIDE



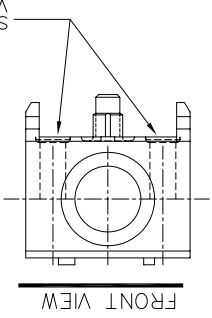
mat'l. code	SEE NOTES	ISO 1302	tolerance	ISO 406	ISO 1101	projection	product family	METRAL ACC.
itr ecn no	dr	date	tolerances unless otherwise specified			angles	mm	title
sheet	revision	index	sheet	revision	index	o.f.z.	lineart	xx ±.01/3
dr	S. STONER	9/30/93	dr	S. STONER	9/30/93	o.f.z.	xxxx ±.0020/.050	scale 1:1
engr	R. DOUTRICH	9/30/93	chr	S. STONER	9/30/93	o.f.z.	xxxx ±.005/.13	mm
chr	S. STONER	9/30/93	appd	S. STONER	9/30/93	o.f.z.	xxxx ±.005/.13	mm
type	Product Customer Drawing		appd	S. STONER	9/30/93	o.f.z.	xxxx ±.005/.13	mm
dwg no	88917		appd	S. STONER	9/30/93	o.f.z.	xxxx ±.005/.13	mm
sheet 2 of 4 size	A3		appd	S. STONER	9/30/93	o.f.z.	xxxx ±.005/.13	mm
type	Product Customer Drawing		appd	S. STONER	9/30/93	o.f.z.	xxxx ±.005/.13	mm

RECEPTACLE GUIDE
MODULE, 4 ROW

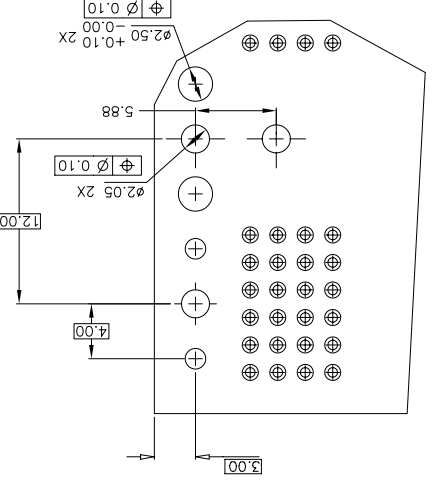


6
5
4
3
2
1
6
5
4
3
2
1

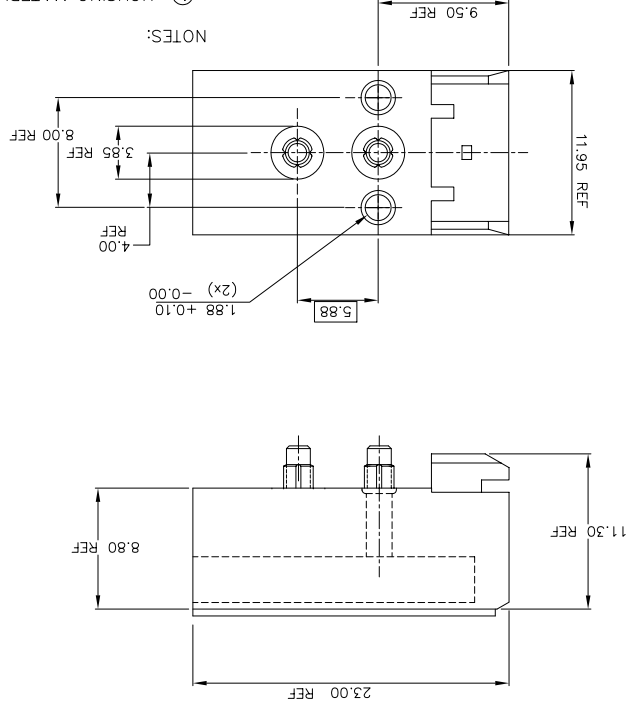
PRODUCT #	88917-301 & -301LF
DESCRIPTION	SCREW DOWN VERSION



SCREW DOWN VERSION

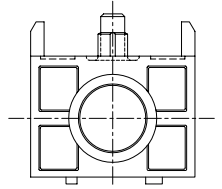


- ④ PART NUMBER WITH "LF" SUFFIX AT THE END ARE LEAD FREE OPTION
- ⑤ THIS PRODUCT MEETS EUROPEAN UNION DIRECTIVES AND OTHER COUNTRY REGULATION AS DESCRIBED IN GS-22-008.
- ⑥ THE HOUSING WILL WITHSTAND EXPOSURE TO 260°C PEAK TEMPERATURE FOR 15 SECONDS IN A WAVE SOLDER APPLICATION WITH A 1.5mm MINIMUM THICK CIRCUIT BOARD OR FOR 10-20 SECONDS IN A CONVECTION, INFRARED OR VAPOR PHASE REFLOW OVEN. SEE APPLICATION NOTES/PROCEDURES IF THEY ARE AVAILABLE.



NOTES:

- ① HOUSING MATERIAL: LCP, 30% GLASS FILLED
FLAME RETARDANT PER UL 94V-0.
COLOR: NATURAL
- ② TWO MOUNTING SCREWS, P/N 63787-001, FOR MAX PCB THICKNESS 2.4mm [0.094"], OR P/N 63787-002 FOR MAX PCB THICKNESS 3.2mm [0.126"]. MUST BE ORDERED SEPARATELY
- ③ THE MATING CONNECTOR FOR THIS APPLICATION MUST USE A WALL-LESS HEADER HOUSING, P/N 63735-101, TO AVOID INTERFERENCE WITH MOUNTING SCREW HEADS.



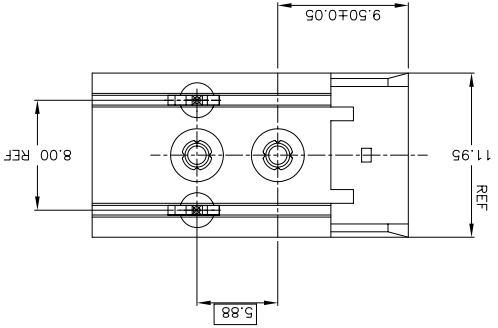
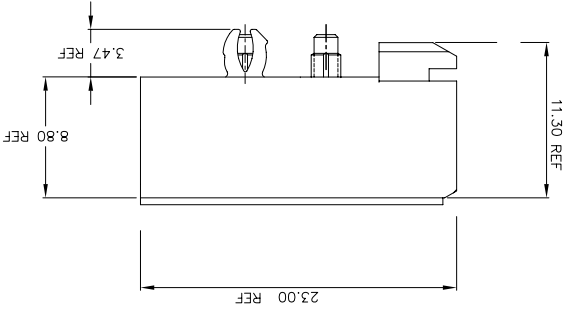
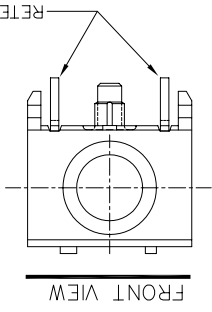
matl. code	surface	ISO 1302	tolerance	ISO 406	ISO 1101	projection	product family	METRAL ACC.
SEE NOTES	ISO 1302	tolerance	ISO 406	ISO 1101	projection	product family	METRAL ACC.	
itr	ecn no	dr	date	tolerances unless otherwise specified	angles	lineart	xxxx ±.005/.13	o.±z
M				xxxx ±.020/.050	scale	1:1		
dwg no	88917	sheet 3 of 4 size	A3	FCI	RECEPTACLE GUIDE	MODULE, 4 ROW		
sheet	revision	index	sheet	revision	index	sheet	revision	index

6 5 4 3 2 1 6 5 4 3 2 1 6 5 4 3 2 1

form: A3

Copyright FCI
FCIconnect.com

PRODUCT #	88917-401 & -401LF
DESCRIPTION	CLAW RETENTION VERSION

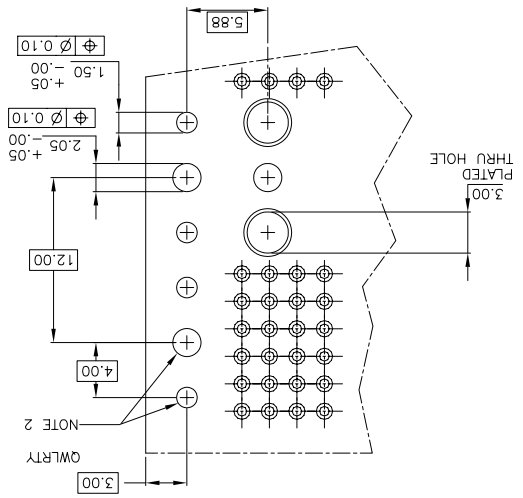


- ③ PART NUMBER WITH "LF" SUFFIX AT THE END ARE LEAD FREE OPTION
- ④ THIS PRODUCT MEETS EUROPEAN UNION DIRECTIVES AND OTHER COUNTRY REGULATION AS DESCRIBED IN GS-22-008.
- ⑤ THE HOUSING WILL WITHSTAND EXPOSURE TO 260°C PEAK TEMPERATURE FOR 15 SECONDS IN A WAVE SOLDER APPLICATION WITH A 1.5mm MINIMUM THICK CIRCUIT BOARD OR FOR 10-20 SECONDS IN A CONVECTION, INFRA-RED OR VAPOR PHASE REFLOW OVEN. SEE APPLICATION NOTES/PROCEDURES IF THEY ARE AVAILABLE.

NOTES:

- ① HOUSING MATERIAL: LCP, 30% GLASS FILLED
FLAME RETARDANT PER UL 94V-0.
COLOR: NATURAL
- ② INDICATED HOLES ARE UNPLATED.

REQUIRED P.C. BOARD LAYOUT
COMPONENT SIDE



mat'l. code	SEE NOTES	ISO 1302	ISO 406	ISO 1101	tolerance	projection	product family	METRAL ACC.
itr	ecn no	dr	date	tolerances unless otherwise specified	angles	lineart	xx ±.01/3	xxx ±.005/.13
M		o.f.z.		xxxx ±.020/.050	scale	1:1		
sheet	revision	sheet	index	revision	sheet	index	revision	sheet
dr	S. STONER	9/30/93	9/30/93	9/30/93	9/30/93	9/30/93	9/30/93	9/30/93
engr	R. DOURICH	9/30/93	9/30/93	9/30/93	9/30/93	9/30/93	9/30/93	9/30/93
chr	S. STONER	9/30/93	9/30/93	9/30/93	9/30/93	9/30/93	9/30/93	9/30/93
appd	S. STONER	9/30/93	9/30/93	9/30/93	9/30/93	9/30/93	9/30/93	9/30/93
dwg no	88917	sheet 4 of 4 size	A3	type	Product Customer Drawing			

X-ON Electronics

Largest Supplier of Electrical and Electronic Components

Click to view similar products for [High Speed/Modular Connectors](#) category:

Click to view products by [Amphenol](#) manufacturer:

Other Similar products are found below :

[2332816-1](#) [89006-1137LF](#) [650827-1](#) [65762-001LF](#) [73474-201LF](#) [74040-1346](#) [74075-0267](#) [1410191-1](#) [1410337-1](#) [1410368-3](#) [1410964-2](#)
[1410367-3](#) [1410971-4](#) [1467833-1](#) [2000877-1](#) [2000878-1](#) [2041314-1](#) [2065387-1](#) [2187307-1](#) [2187462-1](#) [2226278-6](#) [KA81-07](#) [91290-101LF](#)
[1934290-1](#) [2000875-1](#) [2065917-1](#) [2102736-2](#) [FSR-40](#) [2169868-2](#) [2226279-2](#) [22354-8](#) [437-5040-000](#) [5-1393565-0](#) [532449-3](#) [532803-2](#)
[34745-0001](#) [0736440217](#) [0758324203](#) [10131766-301LF](#) [1-1393708-5](#) [72388-0021LF](#) [73774-1000](#) [740401386](#) [532939-1](#) [5-531355-3](#)
[5532901-3](#) [85838-180LF](#) [HM1S43TRR460H6PLF](#) [0760205010](#) [1-966831-4](#)