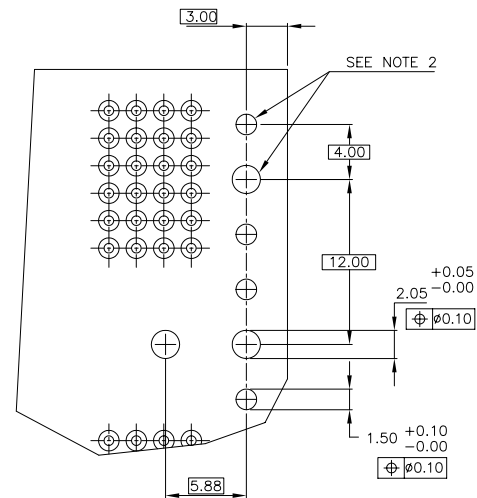
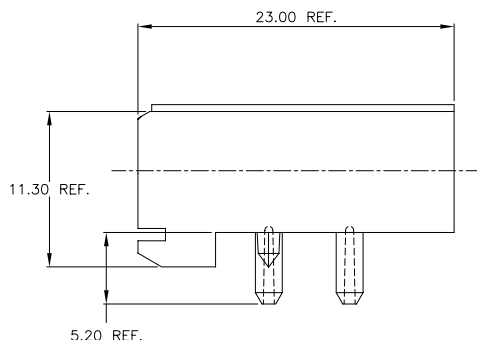
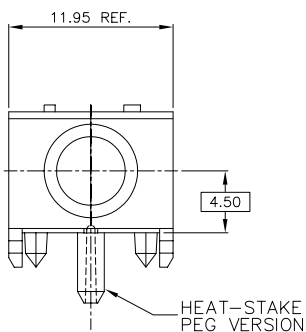


PRODUCT NUMBER	DESCRIPTION
88917-101 & -101LF	HEAT STAKE VERSION

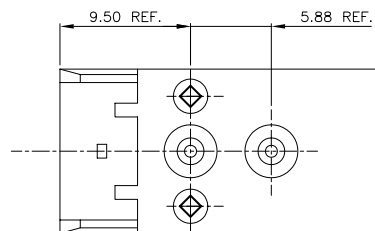
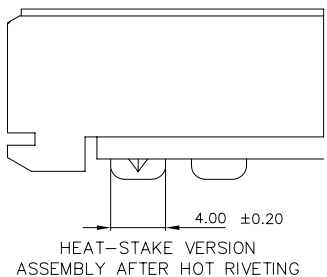
FRONT VIEW



REQUIRED PC BOARD LAYOUT
COMPONENT SIDE

NOTE:

- HOUSING MATERIAL: LCP, 30% GLASS FILLED
FLAME RETARDANT PER UL 94V-0.
COLOR: NATURAL
- INDICATED HOLES ARE UNPLATED
- PART NUMBER WITH "LF" SUFFIX AT THE END ARE LEAD FREE OPTION
- THIS PRODUCT MEETS EUROPEAN UNION DIRECTIVES AND OTHER
COUNTRY REGULATION AS DESCRIBED IN GS-22-008.
- THE HOUSING WILL WITHSTAND EXPOSURE TO 260°C PEAK
TEMPERATURE FOR 15 SECONDS IN A WAVE SOLDER APPLICATION
WITH A 1.5mm MINIMUM THICK CIRCUIT BOARD OR FOR 10-20
SECONDS IN A CONVECTION, INFRA-RED OR VAPOR PHASE REFLOW
OVEN. SEE APPLICATION NOTES/PROCEDURES IF THEY ARE AVAILABLE.



mat'l. code		surface		tolerance		projection		product family	
SEE NOTES		ISO 1302 ✓		ISO 406 ISO 1101		mm		METRAL ACC.	
ltr	ecn	no	dr	date	tolerances unless otherwise specified		title		
F	c80040	MDF		7/23/98	angles	linear	RECEPTACLE GUIDE MODULE, 4 ROW		
G	H80473	MDF		7/23/98			scale 1:1		
H	v02701	JWS		10/19/00	σ±2'		mm		
J	v11668	LSS	dr	6/13/01	S. STONER	9/30/93	dwg no		
K	v12868	CGD	enr	1/02/02	R. DOUTRICH	9/30/93	sheet 1 of 4		
L	M05-0262	MHT	chr	12/20/05	S. STONER	9/30/93	size		
M	M06-0286	MNR	appd	7/27/06	S. STONER	9/30/93	A3		
sheet	revision	M	M	M	M	M	type Product Customer Drawing		
index	sheet	1	2	3	4				

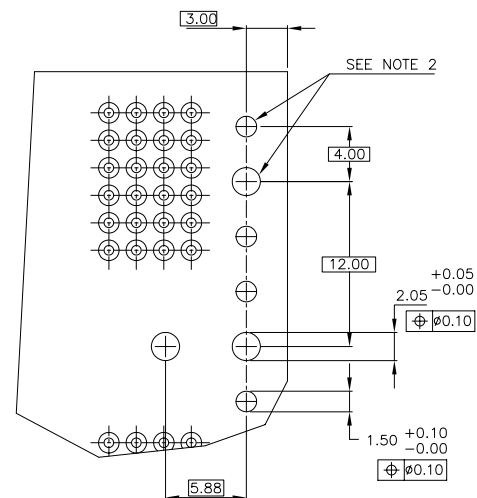
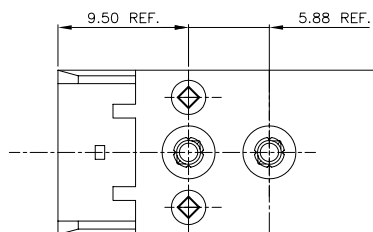
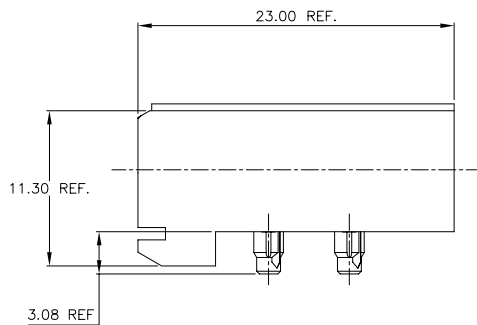
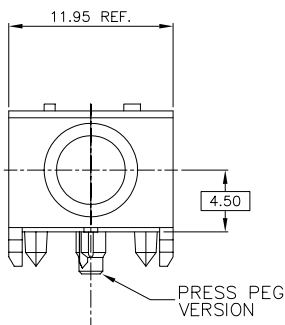


FCIconnect.com

Copyright FCI

PRODUCT NUMBER	DESCRIPTION
88917-201 & -201LF	PRESS-PEG VERSION

FRONT VIEW



REQUIRED PC BOARD LAYOUT
COMPONENT SIDE

NOTE:

- ① HOUSING MATERIAL: LCP, 30% GLASS FILLED
FLAME RETARDANT PER UL 94V-0.
COLOR: NATURAL
- ② INDICATED HOLES ARE UNPLATED
- ③ PART NUMBER WITH "LF" SUFFIX AT THE END ARE LEAD FREE OPTION
4. THIS PRODUCT MEETS EUROPEAN UNION DIRECTIVES AND OTHER
COUNTRY REGULATION AS DESCRIBED IN GS-22-008.
5. THE HOUSING WILL WITHSTAND EXPOSURE TO 260°C PEAK
TEMPERATURE FOR 15 SECONDS IN A WAVE SOLDER APPLICATION
WITH A 1.5mm MINIMUM THICK CIRCUIT BOARD OR FOR 10-20
SECONDS IN A CONVECTION, INFRA-RED OR VAPOR PHASE REFLOW
OVEN. SEE APPLICATION NOTES/PROCEDURES IF THEY ARE AVAILABLE.

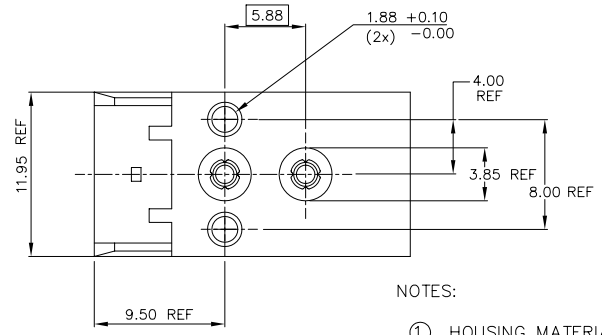
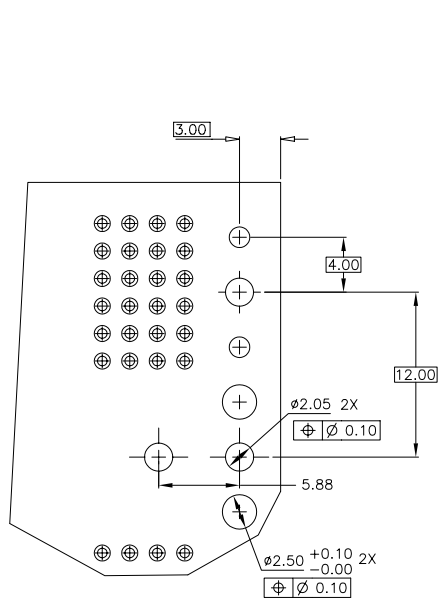
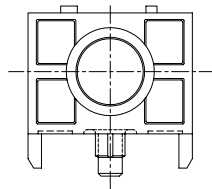
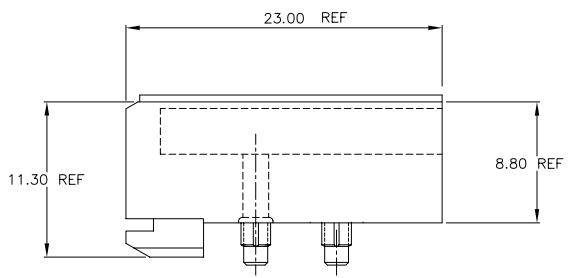
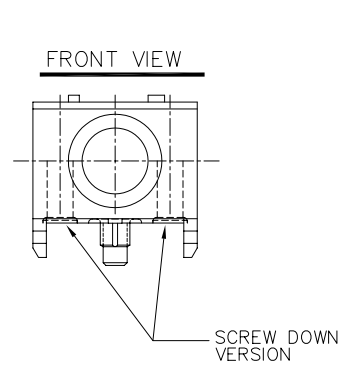
mat'l. code		surface		tolerance		projection		product family	
SEE NOTES		ISO 1302 ✓		ISO 406 ISO 1101				METRAL ACC.	
ltr	ecn	no	dr	date	tolerances unless otherwise specified				
M					angles	linear	xx ±.01/.3	title	
					0°±2'		xxx ±.005/.13	RECEPTACLE GUIDE	
							xxxx ±.0020/.050	MODULE, 4 ROW	
					dr	S. STONER	9/30/93	scale 1:1	
					enrg	R. DOUTRICH	9/30/93	dwg no	
					chr	S. STONER	9/30/93	88917	
					appd	S. STONER	9/30/93	sheet 2 of 4	
sheet		revision		size					
index		sheet		A3					
				type Product Customer Drawing					



FCIconnect.com

Copyright FCI

PRODUCT #	DESCRIPTION
88917-301 & -301LF	SCREW DOWN VERSION



NOTES:

- HOUSING MATERIAL: LCP, 30% GLASS FILLED FLAME RETARDANT PER UL 94V-0. COLOR: NATURAL
- TWO MOUNTING SCREWS, P/N 63787-001, FOR MAX PCB THICKNESS 2.4mm [0.094"] OR P/N 63787-002 FOR MAX PCB THICKNESS 3.2mm [0.126"]. MUST BE ORDERED SEPARATELY
- THE MATING CONNECTOR FOR THIS APPLICATION MUST USE A WALL-LESS HEADER HOUSING, P/N 63735-101, TO AVOID INTERFERENCE WITH MOUNTING SCREW HEADS.

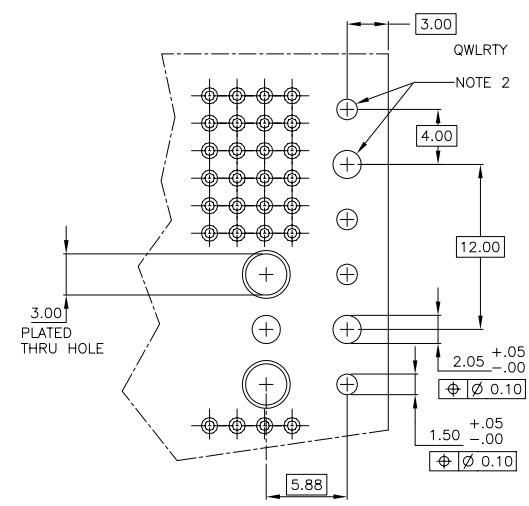
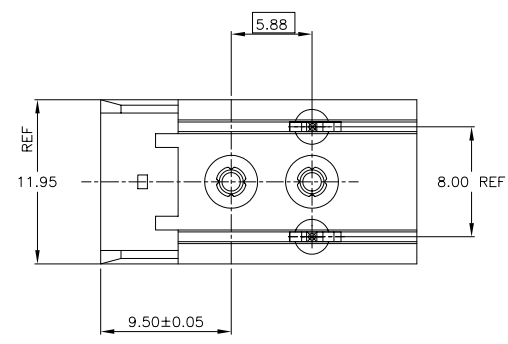
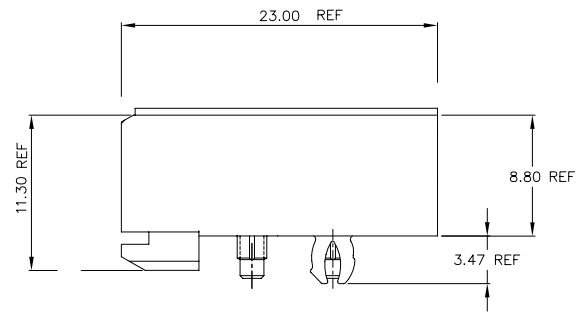
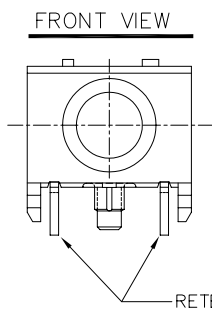
REQUIRED PC BOARD LAYOUT COMPONENT SIDE

- PART NUMBER WITH "LF" SUFFIX AT THE END ARE LEAD FREE OPTION
- THIS PRODUCT MEETS EUROPEAN UNION DIRECTIVES AND OTHER COUNTRY REGULATION AS DESCRIBED IN GS-22-008.
- THE HOUSING WILL WITHSTAND EXPOSURE TO 260°C PEAK TEMPERATURE FOR 15 SECONDS IN A WAVE SOLDER APPLICATION WITH A 1.5mm MINIMUM THICK CIRCUIT BOARD OR FOR 10-20 SECONDS IN A CONVECTION, INFRA-RED OR VAPOR PHASE REFLOW OVEN. SEE APPLICATION NOTES/PROCEDURES IF THEY ARE AVAILABLE.

mat'l. code		surface		tolerance		projection		product family	
SEE NOTES		ISO 1302 ✓		ISO 406 ISO 1101				METRAL ACC.	
ltr	ecn	no	dr	date	tolerances unless otherwise specified				
M					angles	linear	xx ±.01/.3	title	
					°±2'		xxx ±.005/.13	RECEPTACLE GUIDE	
							xxxx ±.0020/.050	MODULE, 4 ROW	
					dr	S. STONER	9/30/93	scale 1:1	
					enfr	R. DOUTRICH	9/30/93	dwg no	
					chr	S. STONER	9/30/93	sheet 3 of 4 size	
					appd	S. STONER	9/30/93	88917 A3	
sheet index		revision sheet		type Product Customer Drawing					

FCI
FCIconnect.com
Copyright FCI

1	2,3	4	5	6
PRODUCT #	DESCRIPTION			
88917-401 & -401LF	CLAW RETENTION VERSION			



REQUIRED P.C. BOARD LAYOUT
COMPONENT SIDE

NOTES:

- ① HOUSING MATERIAL: LCP, 30% GLASS FILLED
FLAME RETARDANT PER UL 94V-0.
COLOR: NATURAL
- ② INDICATED HOLES ARE UNPLATED.

- ③ PART NUMBER WITH "LF" SUFFIX AT THE END ARE LEAD FREE OPTION
- 4. THIS PRODUCT MEETS EUROPEAN UNION DIRECTIVES AND OTHER COUNTRY REGULATION AS DESCRIBED IN GS-22-008.
- 5. THE HOUSING WILL WITHSTAND EXPOSURE TO 260°C PEAK TEMPERATURE FOR 15 SECONDS IN A WAVE SOLDER APPLICATION WITH A 1.5mm MINIMUM THICK CIRCUIT BOARD OR FOR 10-20 SECONDS IN A CONVECTION, INFRA-RED OR VAPOR PHASE REFLOW OVEN. SEE APPLICATION NOTES/PROCEDURES IF THEY ARE AVAILABLE.

mat'l. code		surface		tolerance		projection		product family	
SEE NOTES		ISO 1302 ✓		ISO 406 ISO 1101		mm		METRAL ACC.	
ltr	ecn	no	dr	date	tolerances unless otherwise specified		title		RECEPTACLE GUIDE MODULE, 4 ROW
M					angles	linear	mm		
					0°±2'	xxx ±.01/.3	scale 1:1		
			dr	S. STONER	9/30/93	xxxx ±.0020/.050		dwg no	
			enfr	R. DOUTRICH	9/30/93			sheet 4 of 4 size	
			chr	S. STONER	9/30/93			88917 A3	
			appd	S. STONER	9/30/93			type Product Customer Drawing	
sheet	revision								
index	sheet								



Copyright FCI

X-ON Electronics

Largest Supplier of Electrical and Electronic Components

Click to view similar products for [High Speed/Modular Connectors](#) category:

Click to view products by [Amphenol](#) manufacturer:

Other Similar products are found below :

[650827-1](#) [74040-1346](#) [1410191-1](#) [1410337-1](#) [1410368-3](#) [1410964-2](#) [1410326-3](#) [1410367-3](#) [1410971-4](#) [1467833-1](#) [2000877-1](#) [2000878-1](#)
[2041314-1](#) [2065387-1](#) [2187307-1](#) [163P](#) [1934290-1](#) [2000875-1](#) [2065917-1](#) [2102736-2](#) [FSR-40](#) [2169868-2](#) [22354-8](#) [437-5040-000](#) [5-](#)
[1393565-0](#) [039-0246-000](#) [0740618502](#) [0761601016](#) [0784461022](#) [10123159-12ELF](#) [030-2415-003/100 PK](#) [030-7380-004](#) [030-2494-001](#)
[532939-1](#) [5532901-3](#) [3-1469268-7](#) [74748-102LF](#) [73670-0247](#) [10041743-101LF](#) [10066670-100002LF](#) [1-533915-1](#) [249-4515-000](#) [7-1469373-](#)
[3](#) [DL2-2J/S](#) [2000713-8](#) [2000713-7](#) [3011-21](#) [757105208](#) [EBTF-4-10-2.0-S-RA-1](#) [430305-001](#)