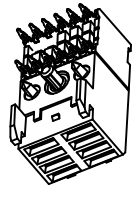
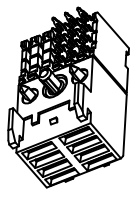
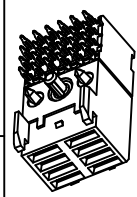
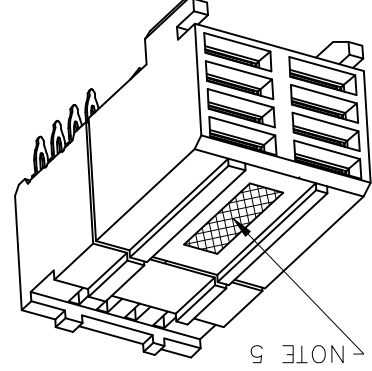
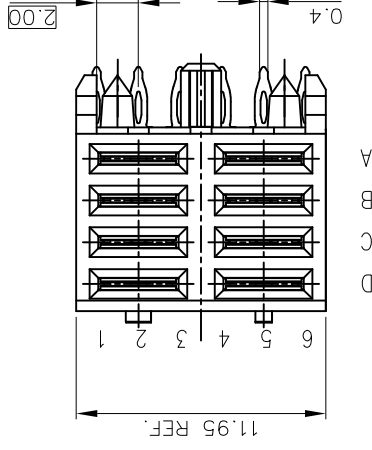
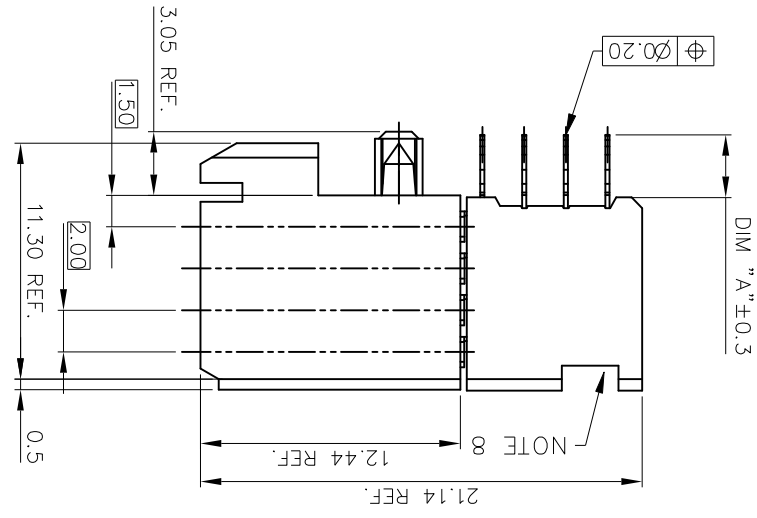




PRODUCT NO.	DIM "A" THICKNESS	PIN NUMBER				DIM "A" THICKNESS	PRODUCT NO.	PIN NUMBER				DIM "A" THICKNESS	PRODUCT NO.
		1	2	3	4			1	2	3	4		
88949-X02	1.6	A	✓	✓	✓	2.90	88949-X32LF	A	✓	✓	✓	1.6	88949-X12LF
		B	✓	✓	✓			B	NO	NO	NO		
		C	✓	✓	✓			C	NO	NO	NO		
		D	✓	✓	✓			D	✓	✓	✓		
88949-X22LF	1.6	A	✓	✓	✓	2.90	88949-X32LF	A	✓	✓	✓	1.6	88949-X12LF
		B	✓	✓	✓			B	NO	NO	NO		
		C	✓	✓	✓			C	NO	NO	NO		
		D	✓	✓	✓			D	✓	✓	✓		



88949-X12	2.4	3.53	✓	✓	✓	✓
88949-X02	1.6	2.90	✓	✓	✓	✓

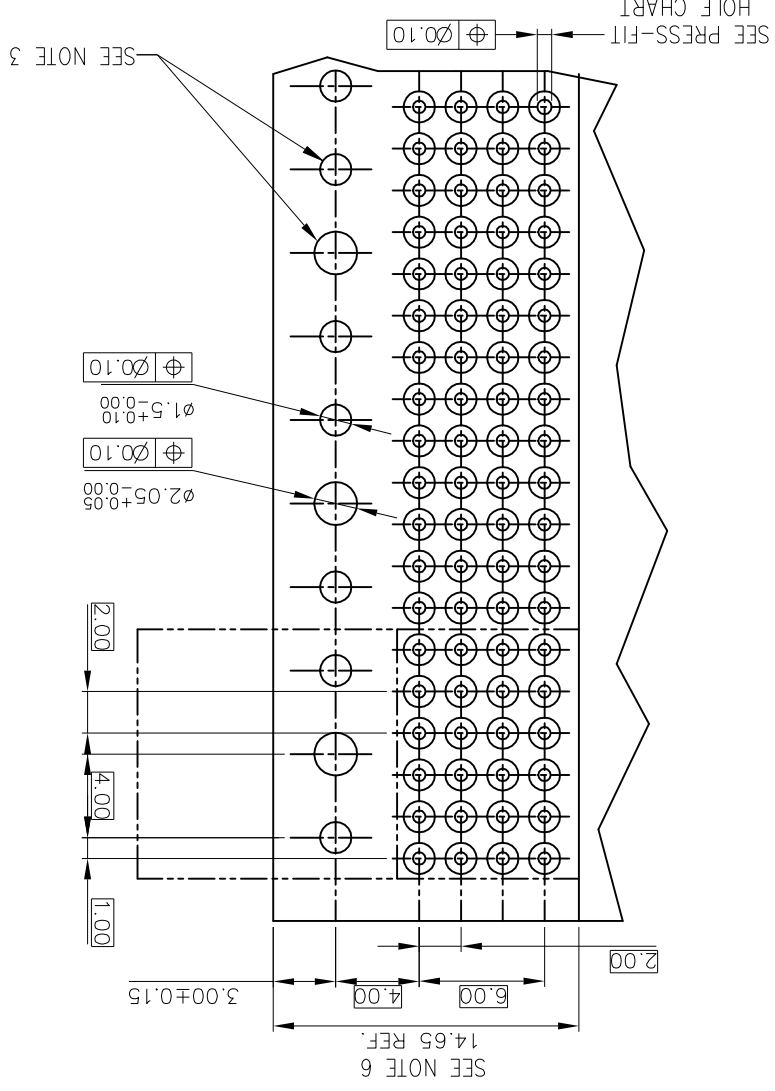


PRESS-FIT HOLES CHART

HOLE DIAMETER AFTER PLATING	0.65-0.80
DRILLED HOLE	0.81-0.86
COPPER PLATING	0.025 MIN.
SnPb PLATING	0.005-0.015

PLATING CONTACT AREA:

DASH NR:	-1YY	TELCORDIA CO
	-2YY	CUSTOMER SPECIAL
	-3YY	CUSTOMER SPECIAL
	-9YY	TELCORDIA CO
	-1YYLF	TELCORDIA CO
	-2YYLF	CUSTOMER SPECIAL
	-3YYLF	CUSTOMER SPECIAL
	-9YYLF	TELCORDIA CO



- NOTES:
- BODY MATERIAL: LIQUID CRYSTAL POLYMER 30% GLASS, FLAME RETARDANT ACC. UL 94-V0.
 - TERMINAL MATERIAL: PHOSPHOR BRONZE.
 - INDICATED HOLES ARE UNPLATED.
 - PLATING OF COMPLIANT SECTION 0.5-1.5 um SnPb 85-97 OR 0.5-1.5 um PURE Sn FOR LEAD FREE.
 - PRODUCT MARKING : PARTNUMBER & BATCH ID.
 - SET BACK FOR PRESS BLOCK.
 - SEE TA-941 FOR APPLICATION TOOLING.
 - TOP SURFACE OF PRESS BLOCK MAY EXTEND UP TO 0.4MM HIGHER THAN HOUSING. THIS MAY AFFECT THE TAIL LENGTH BEFORE APPLICATION TO A BOARD.
 - THIS PRODUCT MEETS EUROPEAN UNION DIRECTIVES AND OTHER COUNTRY REGULATIONS AS DESCRIBED IN GS-22-008.
 - THE HOUSING WILL WITHSTAND EXPOSURE TO 260DEGREE PEAK TEMPERATURE FOR 10 SECONDS IN A WAVE SOLDER APPLICATION.
 - PRODUCT SPECIFICATION: GS-12-453.
 - APPLICATION SPECIFICATION: GS-20-001.
 - FOR THE PRODUCT WITH 30U GOLD PLATING IN TERMINAL, THEY CAN BE REPLACED BY 30 GXT PLATING.

matl. code	ISO 1302	ISO 406/ISO 110	projection	product family	METRAL(tm) HPL559
surface	ISO 1302	ISO 406/ISO 110	tolerance unless otherwise specified	title	R/A PRESS-FIT POWER
linear	0.075	0.00±.13	scale 1:1	dwg no	88949
angle	0.3	0.00±.13	mm	type	Product Customer Drawing
ltr	ecn no	dr	date	tolerances unless otherwise specified	sheet revision
D	V61180	EPK	8/28/96		K
E	V00849	JWS	5/31/00		J
F	DG04-0107	CLU	041228		MZ
G	DG07-0458	Cenh	11/15/07	STU STONER	921029
H	DG08-0171	TER	8/26/08	eng R.DOUTRICH	921029
J	EXL-N-23443	NICK	3/4/16	chr	STU STONER
K	EXL-N-26608	MZ	3/28/17	appd STU STONER	921029
sheet revision	sheet	index	sheet	revision	sheet
K	1		1	K	1

X-ON Electronics

Largest Supplier of Electrical and Electronic Components

Click to view similar products for [High Speed/Modular Connectors](#) category:

Click to view products by [Amphenol](#) manufacturer:

Other Similar products are found below :

[2332816-1](#) [89006-1137LF](#) [650827-1](#) [65762-001LF](#) [73474-201LF](#) [74040-1346](#) [74075-0267](#) [1410191-1](#) [1410337-1](#) [1410368-3](#) [1410964-2](#)
[1410367-3](#) [1410971-4](#) [1467833-1](#) [2000877-1](#) [2000878-1](#) [2041314-1](#) [2065387-1](#) [2187307-1](#) [2187462-1](#) [2226278-6](#) [KA81-07](#) [91290-101LF](#)
[163P](#) [1934290-1](#) [2000875-1](#) [2065917-1](#) [2102736-2](#) [FSR-40](#) [2169868-2](#) [2226279-2](#) [22354-8](#) [437-5040-000](#) [5-1393565-0](#) [532449-3](#) [532803-](#)
[2](#) [34745-0001](#) [0736440217](#) [1-1393708-5](#) [72388-0021LF](#) [73774-1000](#) [532939-1](#) [5-531355-3](#) [5532901-3](#) [85838-180LF](#)
[HM1S43TRR460H6PLF](#) [0760205010](#) [1-966831-4](#) [3-1469268-7](#) [77427-121LF](#)