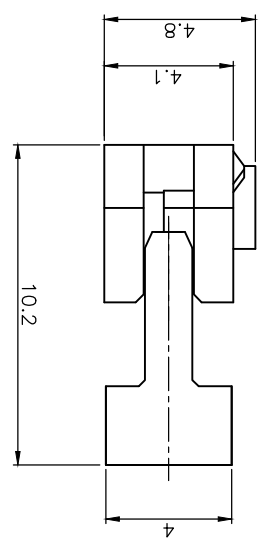
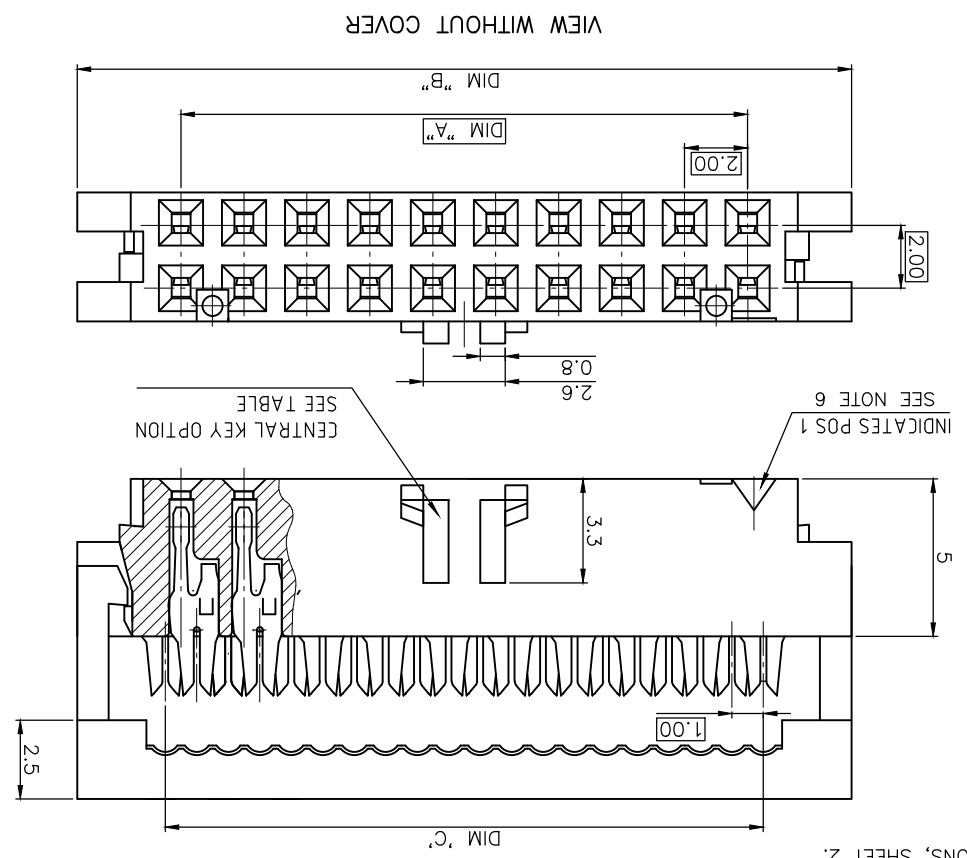


PRODUCT NUMBER
89361-YYXSLF

- LEAD FREE, ROHS COMPLIANT
- SEE NOTE 4
- STRAIN RELIEF OPTION, NOTE 5.
- TOTAL NB OF POSITIONS, SHEET 2.
- FEATURES, SHEET 2.



VIEW WITHOUT COVER

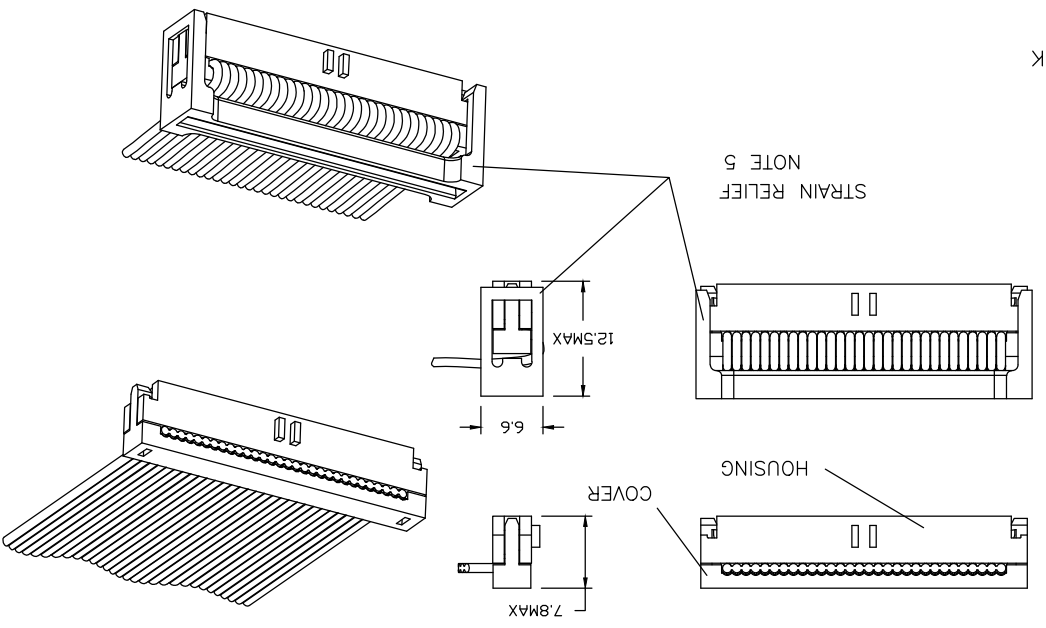
mat'l. code	SEE NOTE	ISO 1302	surface tolerance	ISO 406 ISO 1101	tolerance	projection	MINITTEK	product family
ltr ecn no	dr	date	tolerances unless otherwise specified	ISO 406 ISO 1101	tolerance	projection	MINITTEK	product family
K	F06-021	LMU	06.07.03	06.07.03	06.07.03	angles	0.5	title
L	F07-021	LMU	07.06.12	07.06.12	07.06.12	linear	0.00±.13	2.00mm IDC
M	F08-021	JCO	08.09.09	08.09.09	08.09.09	0°±x'	0.00±.05	0.2µm Au
N	F09-008	JCO	09.08.27	09.08.27	09.08.27	dr	L.MULIN	0.2µm Au
P	F-21434	BVE	15.07.16	15.07.16	15.07.16	eng'n	J.COMPAIGNON	0.2µm Au
						chr	J.M.C	0.2µm Au
						app'd	J.M.C	0.2µm Au
							07.03.20	0.2µm Au
Sheet	revision	P						type
index	sheet	1	2					Product Customer Drawing

6 5 4 3 2 1 6 5 4 3 2 1

PRODUCT CODE	WITHOUT CENTRAL KEY	WITH CENTRAL KEY	WITH CENTRAL KEY AND FRICTION LATCH BUMP
89361-1XX	○		
89361-3XX		○	
89361-7XX			○
			AVAILABILITY

- NOTES :
- 1 - MATERIAL : TERMINAL PHOSPHORE BRONZE
 - 2 - PLATING : GOLD 0.27µm Au MIN ON CONTACT AREA
 - 3 - RECOMMENDED CABLE SIZE : AWG28, STRANDED
 - 4 - THIS PRODUCT MEETS EUROPEAN UNION DIRECTIVES AND OTHER COUNTRY REGULATIONS AS PER GS-22-008.
 - 5 - STRAIN RELIEF ACCESSORY, SEE TABLE FOR AVAILABILITY, OMIT LETTER FROM PARTNUMBER IF NOT APPLICABLE.
 - 6 - SIZE 2 X 3 AND 2 X 4 WILL NOT HAVE POSITION #1 TRIANGLE SHOWING

PRODUCT SIZE	TOTAL NB OF POS	DIM "A"	DIM "B"	DIM "C"	STRAIN RELIEF OPTION
89361-X06LF	2x3	4	10.6	5	YES
-X08LF	2x4	6	12.6	7	YES
-X10LF	2x5	8	14.6	9	YES
-X12LF	2x6	10	16.6	11	YES
-X14LF	2x7	12	18.6	13	YES
-X16LF	2x8	14	20.6	15	YES
-X18LF	2x9	16	22.6	17	YES
-X20LF	2x10	18	24.6	19	YES
-X22LF	2x11	20	26.6	21	NOT TOOLED
-X24LF	2x12	22	28.6	23	YES
-X26LF	2x13	24	30.6	25	YES
-X28LF	2x14	26	32.6	27	NOT TOOLED
-X30LF	2x15	28	34.6	29	YES
-X34LF	2x17	32	38.6	33	YES
-X36LF	2x18	34	40.6	35	NOT TOOLED
-X40LF	2x20	38	44.6	39	YES
-X42LF	2x22	42	48.6	43	YES
-X44LF	2x22	48.6	48.6	47	YES
-X48LF	2x24	46	52.6	47	YES
-X50LF	2x25	48	54.6	49	YES



mat'l. code	SEE NOTE	ISO 1302	surface tolerance	projection	product family
			ISO 406 ISO 1101		
litr ecn no	dr	date	tolerances unless otherwise specified	title	
K F06-021	LMU	06.07.03		2.00mm IDC	
L F07-021	LMU	07.06.12	angles	0.25mm	
M F08-021	JCO	08.09.09	linear	mm	
N F09-008	JCO	09.08.27	0.0075	Scale 1:1	
P F-21434	BVE	15.07.16			
	engr	J.COMPAGNON			
	appd	J.M.C			

sheet index revision sheet

type Product Customer Drawing

89361

89361

dwg no sheet 2 of 2 size A3

X-ON Electronics

Largest Supplier of Electrical and Electronic Components

Click to view similar products for [Headers & Wire Housings](#) category:

Click to view products by [Amphenol](#) manufacturer:

Other Similar products are found below :

[95000-104TRLF](#) [10135584-644402LF](#) [DF62W-EP2022PCA](#) [95000-106TRLF](#) [DF62W-2022SCA](#) [DF62W-EP2022PC](#) [2203348](#) [DF62W-2022SC](#) [1084018](#) [1029039](#) [1084017](#) [802-10-012-10-002000](#) [1112640](#) [1112639](#) [000-34000](#) [0008550134](#) [0009482033](#) [0009507031](#) [57102-F02-18ULF](#) [57102-S06-03LF](#) [57202-S52-04LF](#) [PCN6-15S-2.5E](#) [0039019024](#) [58102-G61-06LF](#) [582553-1](#) [0009485154](#) [0009508121](#) [0022285053](#) [0050291907](#) [018731A](#) [LY20-4P-DT1-P1E-BR](#) [02.125.8002.8](#) [60101931](#) [60598-1 \(Cut Strip\)](#) [M1625-3R/100](#) [61062-3](#) [61082-181009](#) [CSU011177004](#) [636-1427](#) [638009-1](#) [641938-9](#) [641991-4](#) [644168-1](#) [644827-2](#) [647662-1](#) [65039-019ELF](#) [65692-001LF](#) [65781-018](#) [65781-047](#) [65817-002LF](#)