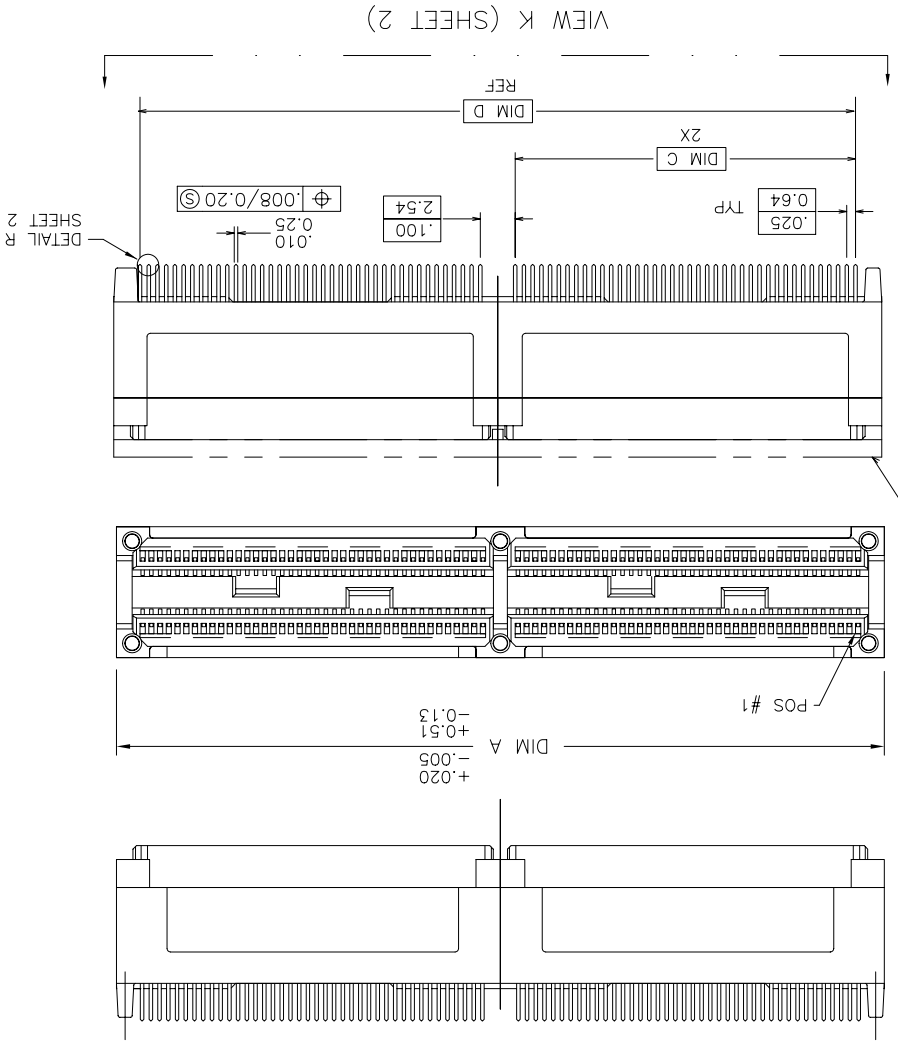
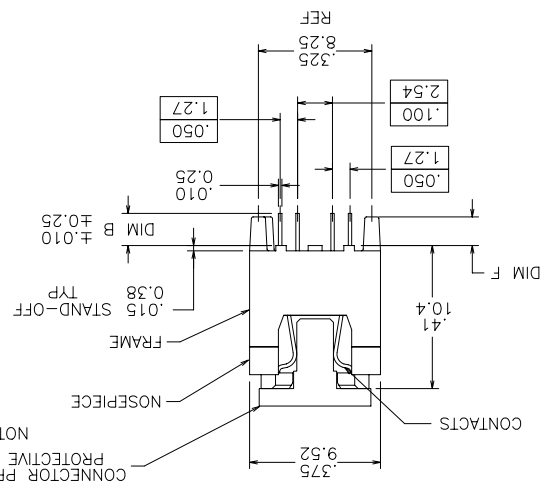


PRODUCT NUMBER  
SEE TABLE



VIEW K (SHEET 2)

mat'l. code	ISO 1302	surface	ISO 406	tolerance	ISO 1101	projection	product family	MICROPAX
itr	ecn no	dr	date	tolerances unless otherwise specified			title	MICROPAX .025M VERTICAL
H	V32226	MRC	12/23/93	angles	xxxx.013	INCH/MM	RECEPT. DBL MODULE	
J	V60714	EPK	7/01/96	inogr	xxxx.005/13	scale	2:1	
K	V1714	EPK	7/09/98	0°F.2	xxxxx.0020/051	dwg no	89648	
L	V1215	CRG	8/16/01	dr	L. POTTIGER	sheet 1 of 3	A3	
M	V20402	MEM	3/08/02	engr	T. LEMKE	Product Customer Drawing		
N	M05-0082	MHT	5/05/05	chr	T. LEMKE			
P	M06-0279	MNR	7/22/06	pppd	T. LEMKE			
sheet revision	P	P	P					
index	1	2	3					

D

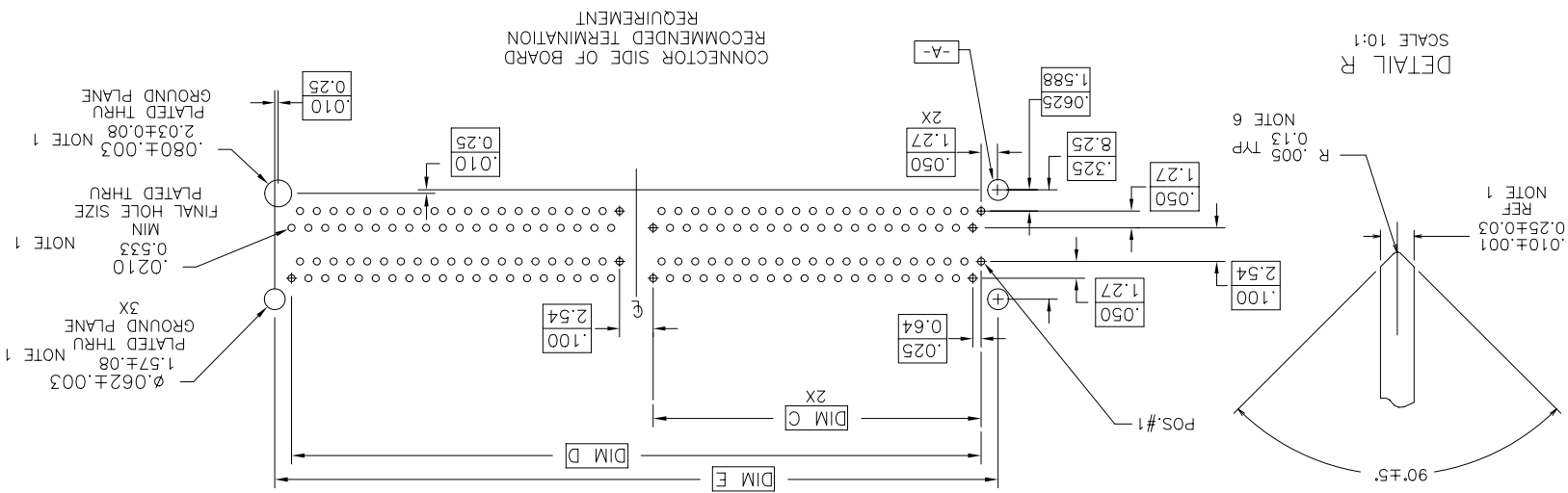
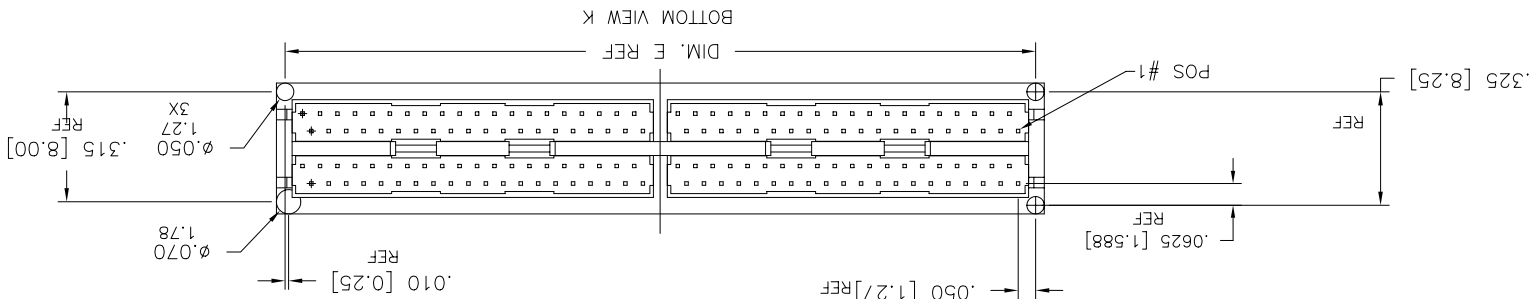
Copyright FCI

FCIconnect.com



A

mat'l. code		ISO 1302		surface		tolerance		ISO 406		ISO 1101		projection		product family	
tr ecn no		dr		date		tolerances unless otherwise specified		xxx.01/3		inches		mm		MICROPAX .025M VERTICAL	
P		angles		indeg		.xxxx.0020/.051		scale 2:1		MICROPAX RECEPT. DBL MODULE		sheet 2 of 3 size		89648	
sheet		revision		index		sheet		type		Product Customer Drawing		dwg no		89648	
4		3		2		1		5		6		D		A3	



CONNECTOR SIDE OF BOARD  
RECOMMENDED TERMINATION  
REQUIREMENT

NOTE 1  
PLATED THRU  
GROUND PLANE  
2.03 ± 0.08  
NOTE 1  
FINAL HOLE SIZE  
MIN  
0.533  
NOTE 1  
PLATED THRU  
GROUND PLANE  
3X  
NOTE 1  
1.57 ± .08  
NOTE 1  
PLATED THRU  
GROUND PLANE  
3X  
NOTE 1  
0.062 ± .003

NOTE 1  
0.080 ± .003  
NOTE 1  
2.03 ± 0.08  
NOTE 1  
0.533  
NOTE 1  
0.0210  
NOTE 1  
0.010  
NOTE 1  
0.25

NOTE 1  
0.010  
NOTE 1  
0.25

NOTE 1  
0.010  
NOTE 1  
0.25

NOTE 1  
0.010  
NOTE 1  
0.25

NOTE 1  
0.010  
NOTE 1  
0.25

NOTE 1  
0.010  
NOTE 1  
0.25

NOTE 1  
0.010  
NOTE 1  
0.25

NOTE 1  
0.010  
NOTE 1  
0.25

NOTE 1  
0.010  
NOTE 1  
0.25

NOTE 1  
0.010  
NOTE 1  
0.25

NOTE 1  
0.010  
NOTE 1  
0.25

NOTE 1  
0.010  
NOTE 1  
0.25

NOTE 1  
0.010  
NOTE 1  
0.25

NOTE 1  
0.010  
NOTE 1  
0.25

NOTE 1  
0.010  
NOTE 1  
0.25

6

D

C

B

A

6

D

C

B

A



## X-ON Electronics

Largest Supplier of Electrical and Electronic Components

*Click to view similar products for [High Speed/Modular Connectors](#) category:*

*Click to view products by [Amphenol](#) manufacturer:*

Other Similar products are found below :

[2332816-1](#) [89006-1137LF](#) [650827-1](#) [65762-001LF](#) [73474-201LF](#) [74040-1346](#) [74075-0267](#) [1410191-1](#) [1410337-1](#) [1410368-3](#) [1410964-2](#)  
[1410367-3](#) [1410971-4](#) [1467833-1](#) [2000877-1](#) [2000878-1](#) [2041314-1](#) [2065387-1](#) [2187307-1](#) [2187462-1](#) [2226278-6](#) [KA81-07](#) [91290-101LF](#)  
[163P](#) [1934290-1](#) [2000875-1](#) [2065917-1](#) [2102736-2](#) [FSR-40](#) [2169868-2](#) [2226279-2](#) [22354-8](#) [437-5040-000](#) [5-1393565-0](#) [532449-3](#) [532803-](#)  
[2](#) [34745-0001](#) [0736440217](#) [1-1393708-5](#) [72388-0021LF](#) [73774-1000](#) [740401386](#) [532939-1](#) [5-531355-3](#) [5532901-3](#) [85838-180LF](#)  
[HM1S43TRR460H6PLF](#) [0760205010](#) [1-966831-4](#) [3-1469268-7](#)