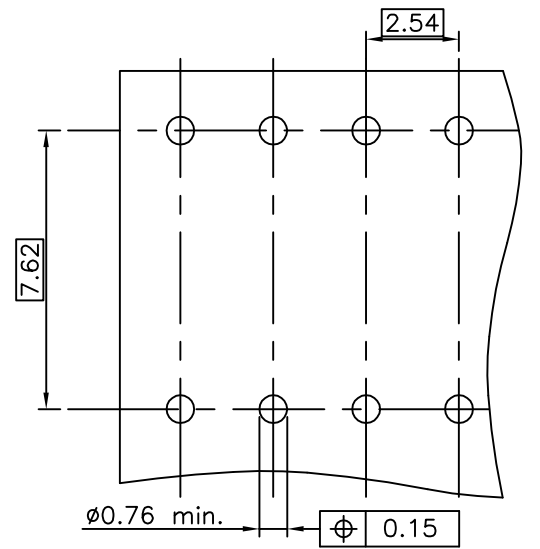


PRODUCT N°	NBR OF CONTACTS	POLARIZING PLUG	TOP TER.	DIM"C"	DIM"D"	CONTACT PLACED IN CAVITY (TABLE ACCORDING WITH VIEW "A")																	
						1	2	3	4	5	6	7	8	9	10	11	12	13	14	15	16	17	18
89852-Y01LF	12		TOP TER.	27.94	30.40	X	X	X	X	X	X	X	X	X	X	X	X	X	X				
	11	WITHOUT	BOTTOM TER.			X	X	X	X	X	X	X	X	X	X	X	X	X	X	X			
89852-Y02LF	12		TOP TER.	27.94	30.40	X	X	X	X	X	X	X	X	X	X	X	X	X					
	11	65307-001	BOTTOM TER.			X	X	X	X	X	X	X	X	X	X	X	X	X	X				
89852-Y03LF	13	WITHOUT	TOP TER.	43.18	45.64	X	X	X	X	X	X	X	X	X	X	X	X	X					
	13	WITHOUT	BOTTOM TER.			X	X	X	X	X	X	X	X	X	X	X	X	X	X				
89852-Y04LF	5		TOP TER.	10.16	12.62	X	X	X	X	X													
	4	WITHOUT	BOTTOM TER.			X	X	X	X														

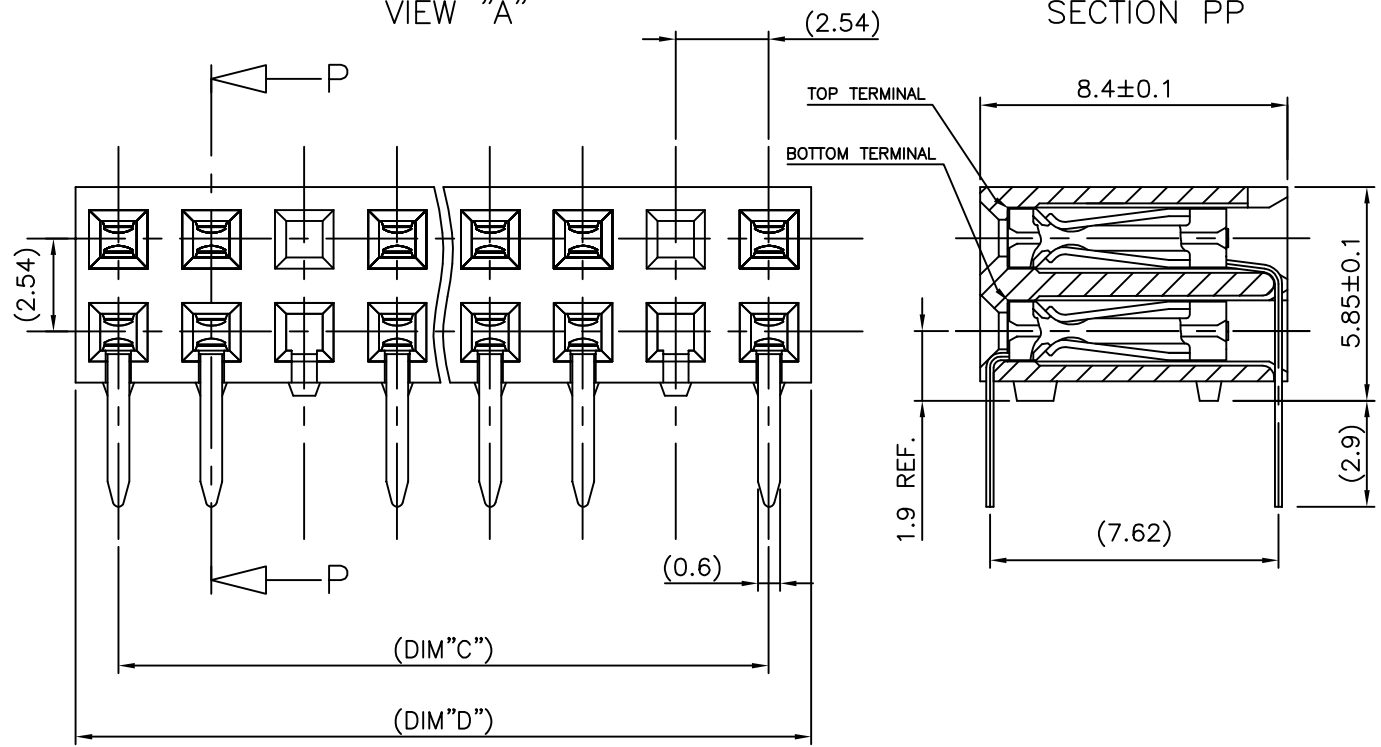
RoHS COMPATIBLE, SEE NOTE 4



- RECOMMENDED HOLE PATTERN
- NOTES:
- MATERIAL HOUSING: THERMOPLASTIC POLYESTER, 30% GLASS FILLED, COLOUR BLUE. FLAME RETARDANT PER UL-94 CATEGORY V0.
 - MATERIAL TERMINAL: PHOSPHOR BRONZE.
 - TERMINALS CAN ONLY BE USED FOR P.C. BOARD APPLICATION WITH THROUGH HOLES.
 - RoHS COMPATIBLE PRODUCT SPECIFICATIONS
 - a - PLATING:
 - "LF" MEANS THE PRODUCT IS LEAD-FREE, 2µm MINIMUM MATTE TIN OVER 1.27µm MINIMUM NICKEL UNDERPLATE.
 - b - MANUFACTURING PROCESS COMPATIBILITY
 - THE HOUSING WILL WITHSTAND EXPOSURE TO 260°C ±5°C SOLDER BATH TEMPERATURE FOR 5 SECONDS IN A WAVE SOLDER APPLICATION WITH A 1.6mm MIN THICK CIRCUIT BOARD.
 - c - LABELING:
 - MEETS PACKAGING SPECS AS PER GS-14-920
 - d - LEGAL STATEMENT: SEE GS-47-0004

VIEW "A"

SECTION PP



89852-4XXLF	Sn	Sn
89852-3XXLF	0.76µm GOLD	Sn
PLATING CODE	CONTACT AREA	SOLDER TAIL
	PLATING THICKNESS OVER 1.27µm Ni MIN	

mat'l. code		surface		tolerance		projection		product family	
SEE NOTES		ISO 1302		ISO 486 ISO 1011		mm		DUBOX	
ltr	ecn no	dr	date	tolerances unless otherwise specified		mm		file	
K	B-20026	BVE	15.01.20	ao.3		mm		DUBOX HCC	
L	B-20689	BVE	15.04.15	angles	linear	scale 10/1		SELECTED LOADED	
F	F04-0366	DLE	04.11.08	dr	P.NIZZI	96.09.24		dwg no	
G	F06-0204	DLE	06.06.21	eng	JM PHAMVAN	96.09.24		sheet 1 of 1	
H	F07-0271	LMU	07.12.06	chr	P.NIZZI	96.09.24		size	
J	B-19123	LMU	14.10.21	appd	JMP	96.09.24		A2	
sheet index	revision	sheet						type customer Drawing	

X-ON Electronics

Largest Supplier of Electrical and Electronic Components

Click to view similar products for [Headers & Wire Housings](#) category:

Click to view products by [Amphenol](#) manufacturer:

Other Similar products are found below :

[892-18-020-10-001101](#) [58102-G61-06LF](#) [582553-1](#) [0009485154](#) [009176003701906](#) [0050291907](#) [LY20-4P-DT1-P1E-BR](#) [02.125.8002.8](#)
[609-3404](#) [61062-3](#) [622-0430](#) [622-3653LF](#) [63453-116](#) [636-1030](#) [636-1427](#) [636-3427](#) [636-4007](#) [641938-9](#) [641991-4](#) [644827-2](#) [65817-010LF](#)
[65817-015LF](#) [65863-015LF](#) [66207-023LF](#) [67095-007LF](#) [67601157](#) [68648-049](#) [70.362.1628.0](#) [70-4210](#) [70-4226B](#) [70-4853B](#) [707-5020](#) [707-5028](#) [71.350.2428.0](#) [71918-208LF](#) [71961-016LF](#) [733-134](#) [733-162](#) [754199-000](#) [760-3052](#) [787-8014-00](#) [79531-3000](#) [FCN-360C032-B](#) [FCN-367T-T012/H](#) [FCN-723D010/2](#) [80.063.4001.1](#) [800-90-001-10-001000](#) [800-90-010-10-002000](#) [801-43-002-10-013000](#) [801-43-006-10-002000](#)