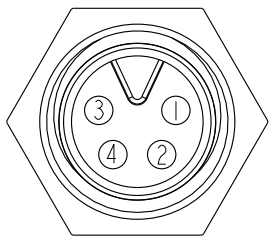
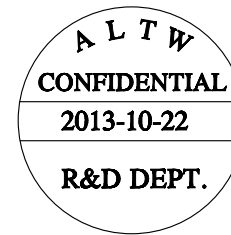
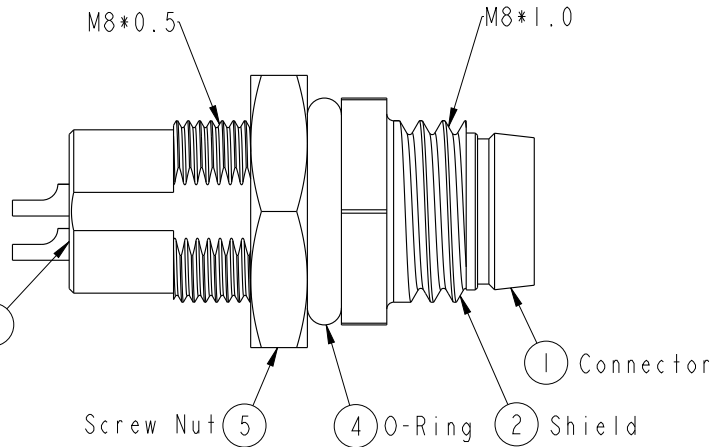
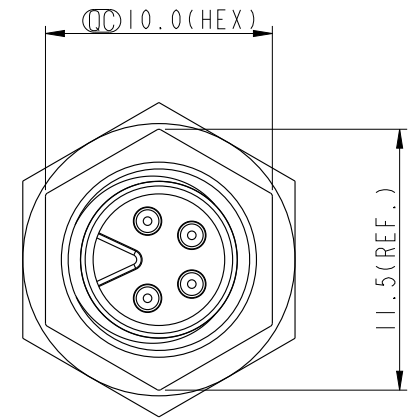
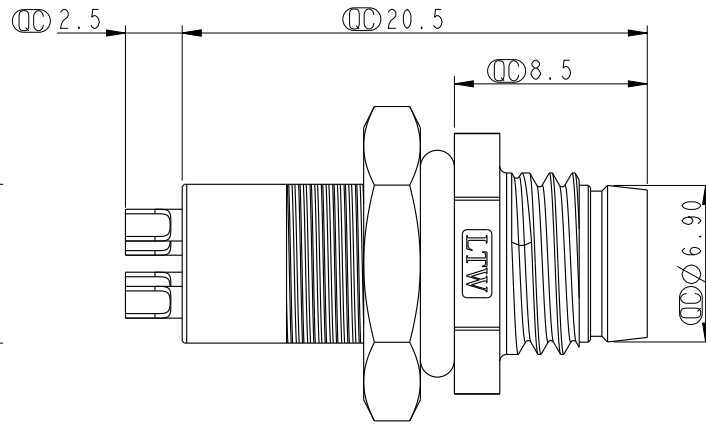
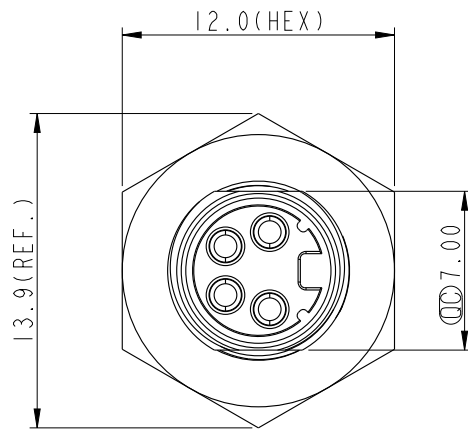
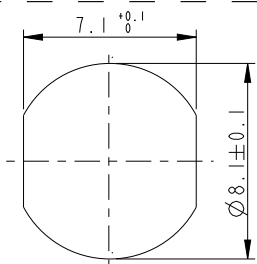


REV.	ECN NO.	DATE	SIGN	DESCRIPTION



Pin Assignment
Front View



Recommended
Panel Cut-Out

Note:

- * \varnothing Important Dimension.
- * Waterproof Rate: IP67.
- * Housing: Nylon+GF, Black.
- * Male Pin: Copper Alloy, Gold Plated.
- * Shield: Zinc Alloy, Nickel Plated.
- * Screw Nut: Copper Alloy, Nickel Plated.
- * O-Ring: EPDM, Black.
- * For Panel Thickness Max 3.5mm.
- * Nut Torque: 4-6 kgf.cm.

UNIT:mm		
TOLERANCE	.X	±0.25
	.XX	±0.1
	.XXX	±0.05
ANGLES		±1°

TITLE M8 4Pin Panel M Conn. M Pin			
SCALE	3:1	SIZE	A4
REV.	A	WC-REV.	A.1
SHEET 1 OF 1			
: Inspection item			

Amphenol LTW
安費諾亮泰企業股份有限公司

ITEM NO	8A-04PMMS-SH7001	DRAWN BY	Tony_leng	DATE	2013-10-22
DWG NO	8A-04PMMS-SH7001	CHECKED BY	Jimmy	DATE	2013-10-22
CUSTOMER	ALTW	APPROVED BY	Jerry	DATE	2013-10-22

THIS DOCUMENT IS SUBJECT TO CHANGE WITHOUT NOTICE. IT IS CONFIDENTIAL AND A PROPERTY OF Amphenol LTW. DISCLOSURE TO THIRD PARTY HAS TO BE AUTHORIZED BY Amphenol LTW.

F
E
D
C
B
A

X-ON Electronics

Largest Supplier of Electrical and Electronic Components

Click to view similar products for [Circular Metric Connectors](#) category:

Click to view products by [Amphenol](#) manufacturer:

Other Similar products are found below :

[600X518037X](#) [6STD15PCR99B70A](#) [8R4000A16M020](#) [8R5000A16M005](#) [1200910002](#) [1203580030](#) [1200910008](#) [1200910011](#) [1300140094](#)
[130203-0054](#) [1300140026](#) [1300150099](#) [1-3637-600-5205](#) [1612618](#) [21036836414](#) [8R4006A16M010](#) [1R3006A20M005](#) [41-40011](#) [42-00006](#)
[42-01015](#) [4-22279-4](#) [4-22281-1](#) [4-22284-9](#) [43-00113](#) [43-01203](#) [41-40013](#) [42-00008](#) [43-00343](#) [43-01026](#) [43-01162](#) [43-01173](#) [43-10000](#)
[XS3P-M421-2](#) [600X518050X](#) [8R5006A16M020](#) [8R5006A16M005](#) [8R4000A16M010](#) [6-22279-3](#) [1605332](#) [N03FA03144](#) [1300140077](#) [43-](#)
[16213](#) [43-01338](#) [XS2RD4265](#) [XS2R-D426-1](#) [XS8A-0441](#) [859RD04-103R004](#) [860RD04-113R004](#) [860RD04-213R004](#) [1-213245-2](#)