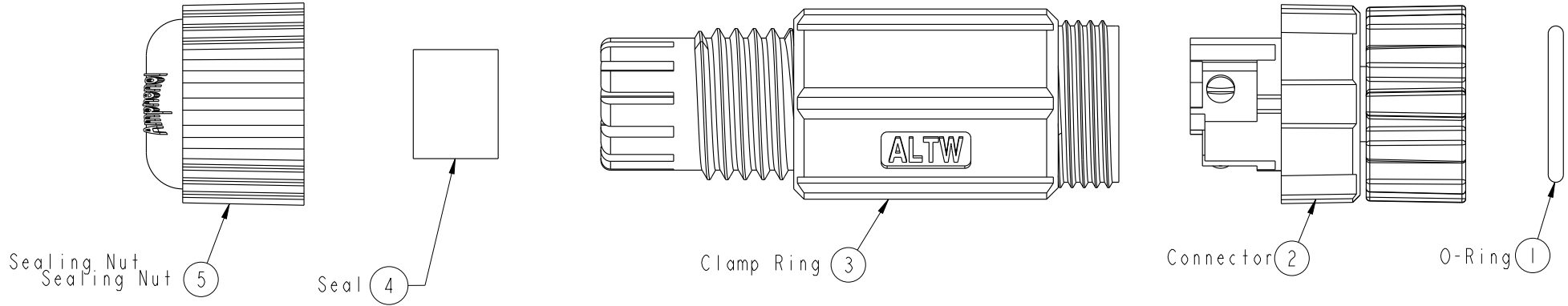
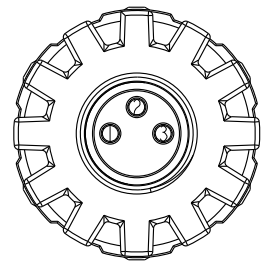


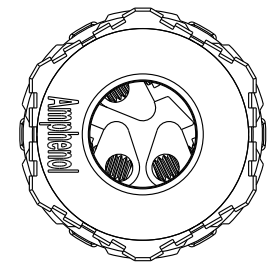
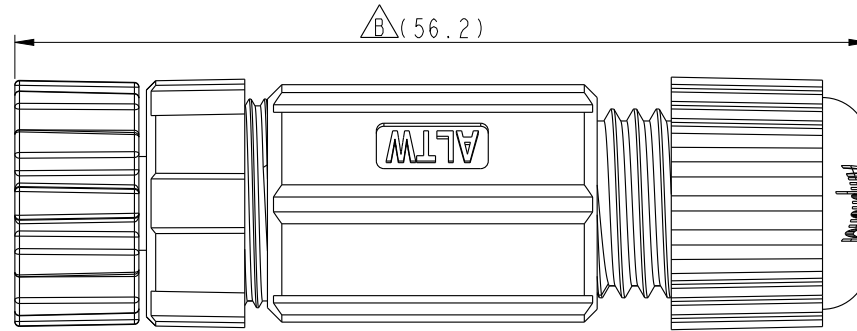
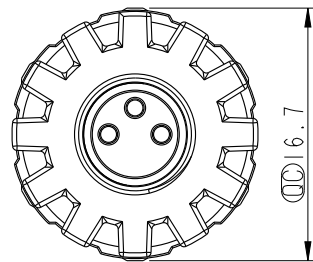
REV.	ECN NO.	DATE	SIGN	DESCRIPTION
A	Initial Release	2018-07-16	Peng	NEW ITEM
B	C192160	2019-12-19	Peng	$\triangle$ B XI



- Notes:
- \*  $\text{\textcircled{D}}$  Important Dimension.
  - \* Waterproof Rate: IP67
  - \* Housing: Black, Nylon
  - \* Female Pin: Copper Alloy, Gold Plated
  - \* Nut: Black, Nylon+GF
  - \* Seal: Black, EPDM
  - \* O-Ring: Green, Viton
  - \* Seals for Cable OD:  $\varnothing 4.5\text{mm}-\varnothing 6.5\text{mm}$



Pin Assignments  
Front View



UNIT:mm    
TOLERANCE  
 $\pm 0.5$

TITLE M8P Conn Assy Screw 3Pin F Conn F Pin			
SCALE 2:1	SIZE A4	SHEET 1 OF 1	
REV. B	WC-REV. A.1	$\text{\textcircled{C}}$ : Inspection item	

**Amphenol LTW**  
安費諾亮泰企業股份有限公司

ITEM NO. 8P-03BFFB-SL7001	DRAWN BY Peng	DATE 2018-07-16
DWG NO. 8P-03BFFB-SL7001	CHECKED BY Mafei	DATE 2018-07-16
CUSTOMER ALTW	APPROVED BY Jerry	DATE 2018-07-16

THIS DOCUMENT IS SUBJECT TO CHANGE WITHOUT NOTICE. IT IS CONFIDENTIAL AND A PROPERTY OF Amphenol LTW. DISCLOSURE TO THIRD PARTY HAS TO BE AUTHORIZED BY Amphenol LTW.

## X-ON Electronics

Largest Supplier of Electrical and Electronic Components

*Click to view similar products for [Circular Metric Connectors](#) category:*

*Click to view products by [Amphenol](#) manufacturer:*

Other Similar products are found below :

[600X518037X](#) [MA1EAF1200](#) [6STD15PCR99B70A](#) [8R4000A16M020](#) [8R4A00A18M020](#) [8R5000A16M005](#) [1200910008](#) [1200910011](#)  
[1300140094](#) [130203-0054](#) [1300150099](#) [RF-12S1N8A90DU](#) [1-3637-600-5205](#) [1612618](#) [8R4006A16M010](#) [8R5006A18A120](#) [1604232](#)  
[1R3006A20M005](#) [RF-12P1N8A80DU](#) [RF-12P1N8A90DU](#) [41-01016](#) [41-40011](#) [41-40017](#) [42-01015](#) [4-22279-4](#) [4-22281-1](#) [4-22284-9](#) [43-](#)  
[00002](#) [43-01166](#) [41-40005](#) [41-40016](#) [43-00161](#) [43-01191](#) [XS3P-M421-2](#) [600X518050X](#) [SACC-DSI-FS-5P-PG9-L180 SC](#) [8R4006A16A120](#)  
[8R4000A16M010](#) [RKC 50/16](#) [1R3004A20A1201](#) [6-22279-3](#) [N03FA03144](#) [1300140077](#) [XS8A-0441](#) [859RD04-103R004](#) [860RD04-113R004](#)  
[860RD04-213R004](#) [860-X08-213R004](#) [1-213245-2](#) [2273142-2](#)