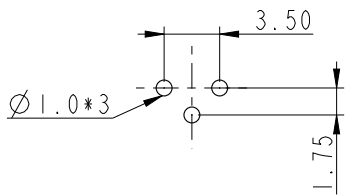
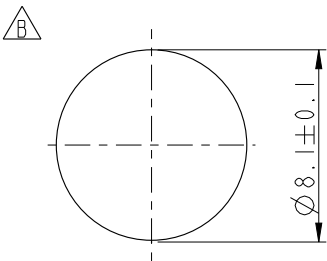


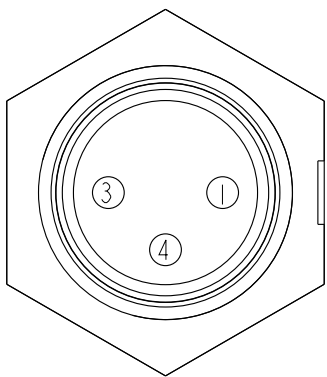
REV.	ECN NO.	DATE	SIGN	DESCRIPTION
B	LEN-910192	2009/01/07	Ivan Lin	Change rev. to ECN note
C	LEN-030191	2010/03/24	Li Xiu Zhi	Change View
D	C200518	2020/04/25	Peng	\triangle D XI



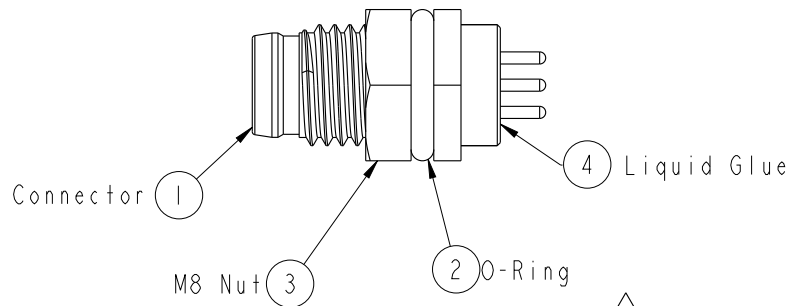
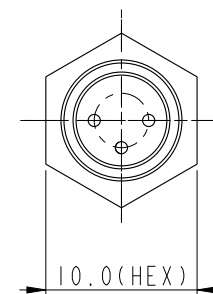
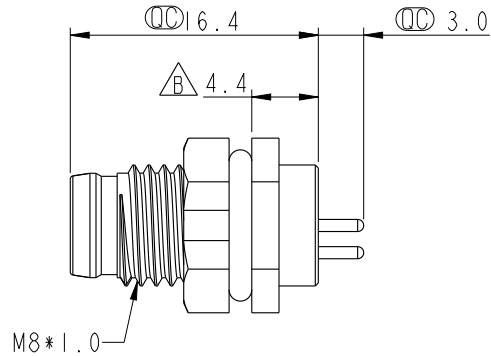
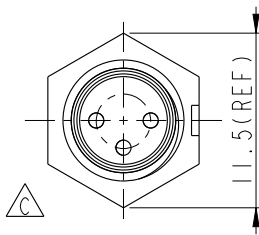
\triangle B PCB Layout



Recommended Panel Cut-Out



Pin Assignments
Front View



Note: \triangle D

- * QC Important Dimension To Check.
- * Waterproof Rate: IP67
- * Housing: Nylon+GF, Black
- * Male Pin: Copper Alloy, Gold Plated
- * M8 Nut: Nylon+GF, Black
- * O-Ring: EPDM, Black
- * Panel Thickness For Snap-in Type Max 3.0mm
- * Panel Thickness For Screw Type Max 1.9mm

UNIT:mm		
TOLERANCE	.X ±0.25	
.XX ±0.1		
.XXX ±0.05		
ANGLES	±1°	

TITLE \triangle B M8 Conn Panel Screw 3P M Conn M Pin			
SCALE 2:1	SIZE A4	SHEET 1 OF 1	
REV. D	WC-REV. A.4	QC : Inspection item	

Amphenol LTW
安費諾亮泰企業股份有限公司

ITEM NO 8P-03PMMP-SF7001	DRAWN BY Li Xiu Zhi	DATE 2010-03-24
DWG NO 8P-03PMMP-SF7001	CHECKED BY Tina	DATE 2010-03-24
CUSTOMER ALTW	APPROVED BY Can	DATE 2010-03-24

THIS DOCUMENT IS SUBJECT TO CHANGE WITHOUT NOTICE. IT IS CONFIDENTIAL AND A PROPERTY OF Amphenol LTW. DISCLOSURE TO THIRD PARTY HAS TO BE AUTHORIZED BY Amphenol LTW.

X-ON Electronics

Largest Supplier of Electrical and Electronic Components

Click to view similar products for [Circular Metric Connectors](#) category:

Click to view products by [Amphenol](#) manufacturer:

Other Similar products are found below :

[600X518037X](#) [6STD15PCR99B70A](#) [8R4000A16M020](#) [8R5000A16M005](#) [1200910002](#) [1203580030](#) [1200910008](#) [1200910011](#) [1300140094](#)
[130203-0054](#) [1300140026](#) [1300150099](#) [1-3637-600-5205](#) [1612618](#) [21036836414](#) [8R4006A16M010](#) [1R3006A20M005](#) [41-40011](#) [42-00006](#)
[42-01015](#) [4-22279-4](#) [4-22281-1](#) [4-22284-9](#) [43-00113](#) [43-01203](#) [41-40013](#) [42-00008](#) [43-00343](#) [43-01026](#) [43-01162](#) [43-01173](#) [43-10000](#)
[XS3P-M421-2](#) [600X518050X](#) [8R5006A16M020](#) [8R5006A16M005](#) [8R4000A16M010](#) [6-22279-3](#) [1605332](#) [N03FA03144](#) [1300140077](#) [43-](#)
[16213](#) [43-01338](#) [XS2RD4265](#) [XS2R-D426-1](#) [XS8A-0441](#) [859RD04-103R004](#) [860RD04-113R004](#) [860RD04-213R004](#) [1-213245-2](#)