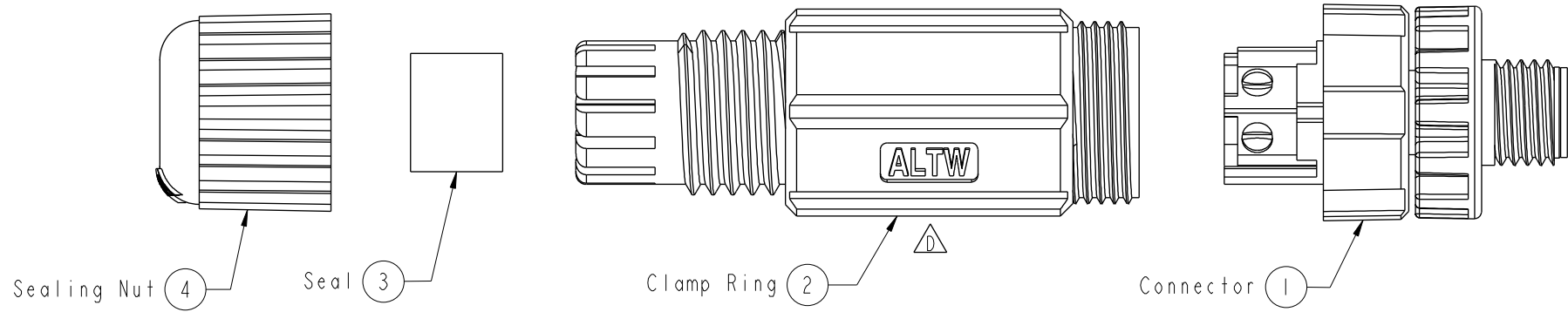


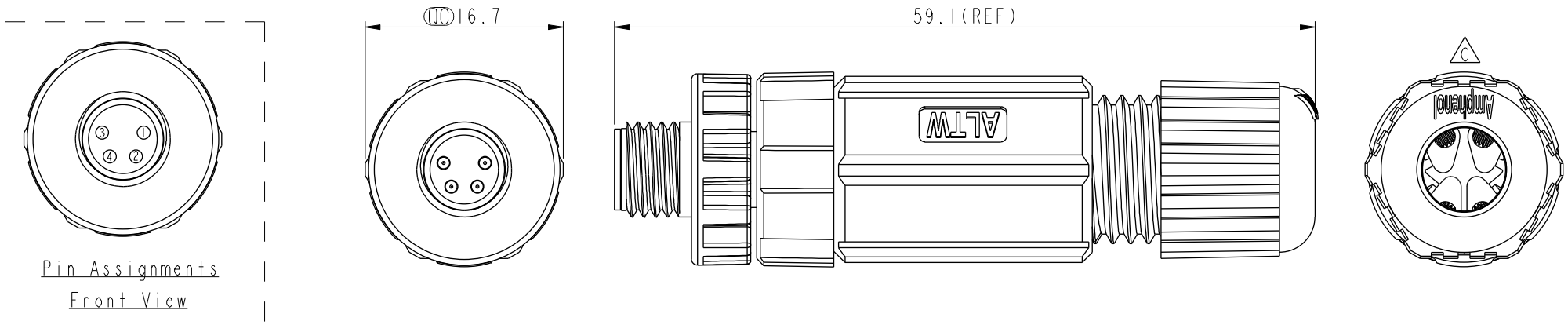
THIS DOCUMENT IS SUBJECT TO CHANGE WITHOUT NOTICE. IT IS CONFIDENTIAL AND A PROPERTY OF Amphenol LTW. DISCLOSURE TO THIRD PARTY HAS TO BE AUTHORIZED BY Amphenol LTW.

REV.	ECN NO.	DATE	SIGN	DESCRIPTION
B	LEN1350176	2013/05/15	Vicky	Modify Note.
C	LEN1480615	2014/08/12	Rita	Update Logo
D	LEN1760035	2017/05/31	Ruru	Change Logo



ALTW
 CONFIDENTIAL
 2017-05-31
 R&D DEPT.

- Notes:
- * $\text{\textcircled{C}}$ Important Dimension.
 - * Waterproof Rate: IP67.
 - * Housing: Nylon+GF, Black.
 - * Male Pin: Copper Alloy, Gold Plated.
 - * Nut: Nylon+GF, Black.
 - * Seal: EPDM, Black.
 - * $\text{\textcircled{B}}$ Seals for Cable OD: $\varnothing 4.5\text{mm}-\varnothing 6.5\text{mm}$



UNIT:mm TOLERANCE .X ± 0.25 .XX ± 0.1 .XXX ± 0.05 ANGLES $\pm 1^\circ$	TITLE M8P Conn Assy Screw 4Pin M Conn M Pin		Amphenol LTW 安費諾亮泰企業股份有限公司		ITEM NO 8P-04BMMB-SL7001	DRAWN BY Ruru	DATE 2017-05-31
	SCALE 2:1	SIZE A4			SHEET 1 OF 1	DWG NO 8P-04BMMB-SL7001	CHECKED BY Rita
	REV. D	WC-REV. B.1	$\text{\textcircled{C}}$: Inspection item	CUSTOMER ALTW	APPROVED BY Max	DATE 2017-05-31	

X-ON Electronics

Largest Supplier of Electrical and Electronic Components

Click to view similar products for [Circular Metric Connectors](#) category:

Click to view products by [Amphenol](#) manufacturer:

Other Similar products are found below :

[600X518037X](#) [6STD15PCR99B70A](#) [8R4000A16M020](#) [8R5000A16M005](#) [1200910002](#) [1203580030](#) [1200910008](#) [1200910011](#) [1300140094](#)
[130203-0054](#) [1300140026](#) [1300150099](#) [1-3637-600-5205](#) [1612618](#) [21036836414](#) [8R4006A16M010](#) [1R3006A20M005](#) [41-40011](#) [42-00006](#)
[42-01015](#) [4-22279-4](#) [4-22281-1](#) [4-22284-9](#) [43-00113](#) [43-01203](#) [41-40013](#) [42-00008](#) [43-00343](#) [43-01026](#) [43-01162](#) [43-01173](#) [43-10000](#)
[XS3P-M421-2](#) [600X518050X](#) [8R5006A16M020](#) [8R5006A16M005](#) [8R4000A16M010](#) [6-22279-3](#) [1605332](#) [N03FA03144](#) [1300140077](#) [43-](#)
[16213](#) [43-01338](#) [XS2RD4265](#) [XS2R-D426-1](#) [XS8A-0441](#) [859RD04-103R004](#) [860RD04-113R004](#) [860RD04-213R004](#) [1-213245-2](#)