

Size 7 38999 Series III Derived from MIL-DTL-38999 Series III



Description

Perfect for applications where space, weight & speed are critical.
MIL-DTL-38999 series III size 7 miniature connector for Coax, Twinax, Quadrax, Octonet and Fiber Optic contacts

Main Features

- Derived from MIL-DTL-38999 Series III connectors
- Insert arrangement for :
 - Available now : Coax, Twinax & Quadrax (Size 8 grounded cavity)
 - Coming soon : Octonet (1 Gb Ethernet and 10 Gb Ethernet) & Fiber Optic (Butt joint and Expanded beam)
- Available in Olive Drab Cadmium, Electroless Nickel & Black Zinc Nickel
- Crimp or PCB tail versions
- Integrated backshell for Crimp version
- Jam nut and Oval receptacles versions
- Plug with socket contacts / Receptacle with pin contacts
- IP68 : 48 hours under 2 meters of water for Jam nut receptacle and plug mated. Use an heatshrink boot and adhesive between the plug and the cable
- For Stand-off and Reduced flange version, please consult us.

Match the performances of MIL-DTL-38999 serie III connector type (EN 3645) in terms of :

- Shocks and vibrations
- Temperature
 - 200°C for Electroless Nickel
 - 175°C for Olive Drab Cadmium & Black Zinc Nickel
- Electrical performances
- Salt Spray resistance
 - 48h for Electroless Nickel
 - 500h for Olive Drab Cadmium
 - 300h for Black Zinc Nickel

Differs from standard MIL-DTL-38999 serie III in terms of :

- Thread coupling, double starts instead of triple start in 38999
- Integrated backshells only
- Lightning strike : Composite 38999 level (MIL-DTL-38999 class M)
- EMI :
 - 82dB min at 100MHz (vs 90dB min for 38999 standard)
 - 65dB min at 1000MHz (vs 85dB for 38999 standard)

Markets & Applications



C4ISR



Military Aerospace



Navy



Commercial Aerospace



Missile



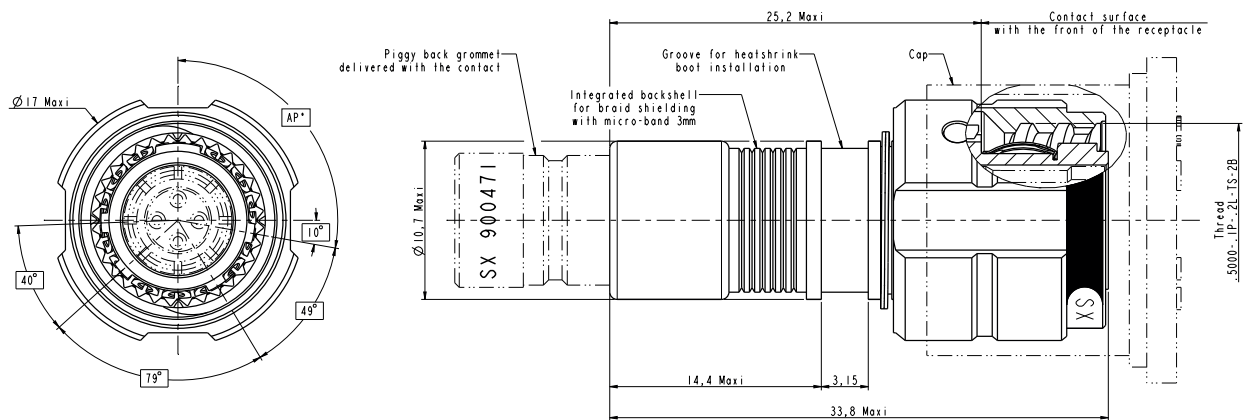
Applications :

- Soldier wearable equipments
- Ethernet switches
- Manpack Digital radios
- Avionics calculators
- Mediaconvertors
- Datas acquisition equipments

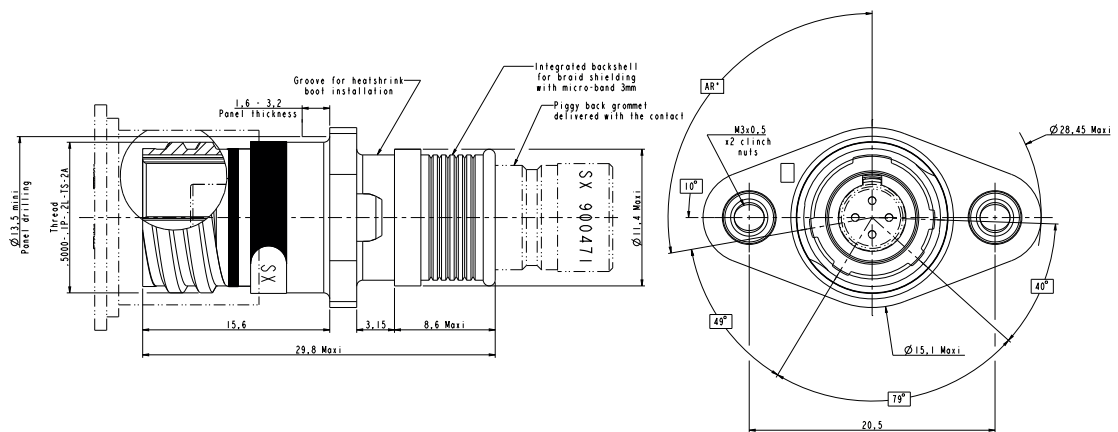
Size 7 38999 Series III

Overall dimensions

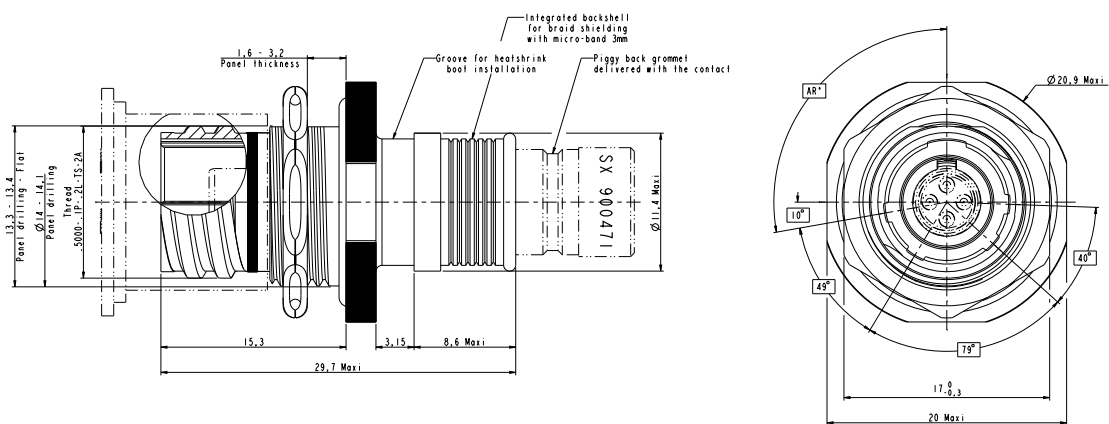
387TV06 : Plug (Socket contact)



387TV03 : Oval receptacle (Pin contact) :



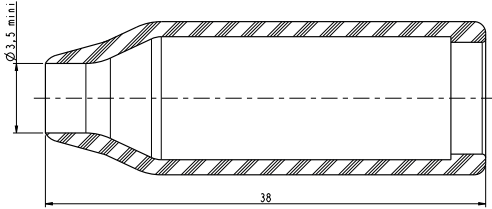
387TV07 : Jam nut receptacle (Pin contact) :



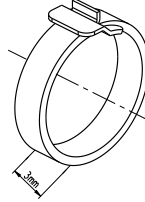
Size 7 38999 Series III

Accessories

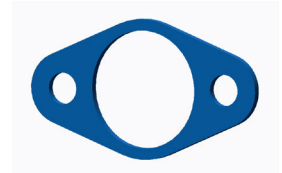
Optional Heatshrink boot
(Fluoroelastomer - without any adhesive)
PN : 804190



Optional micro-band
PN : 895693



Panel gasket for oval flange receptacle
PN : 621755



Contacts

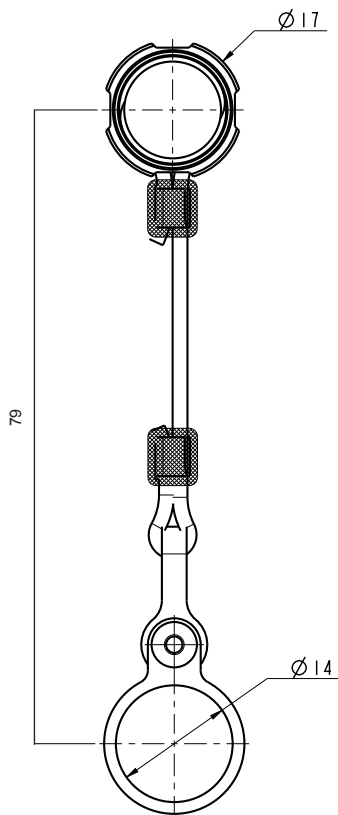
	Contacts size	Pin contacts	Female contacts	Piggy Back Grommet
Coax		900 130	900140	
Twinax	8	7111760102	7111760202	900472
Quadrax		603330	603338	900471

*for more informations, please consult our contacts catalogue DOC-000081-ANG

Metallic caps for size 7 receptacles

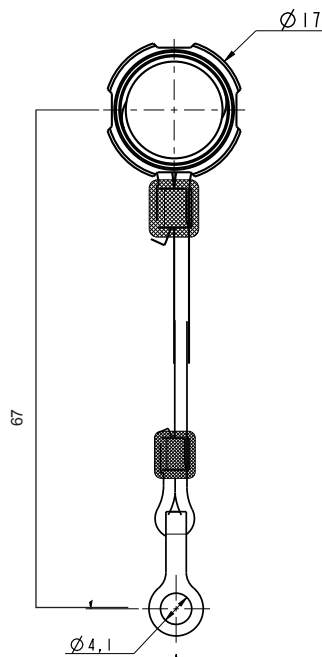
For Jam nut receptacle

BER



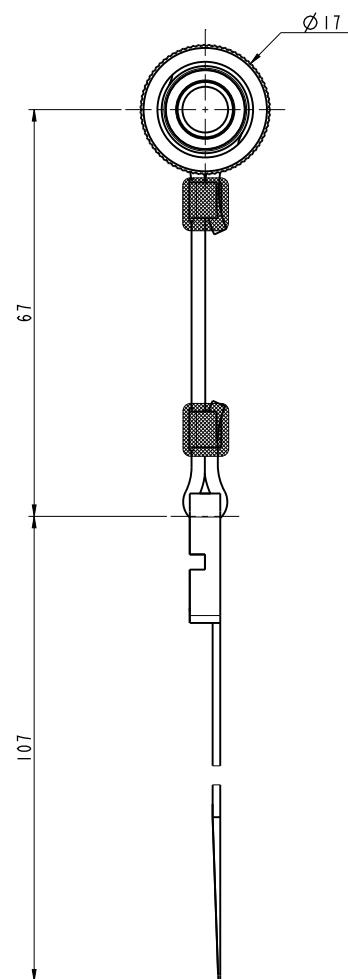
For Oval flange receptacle

BEC



For Plug

BF



How to order

Size 7

Series	387TV	06	R	G	Q	W	-	7-5	P	-	-	1
387TV: 38999 Size 7 connector												
Shell type												
07: Jam Nut Receptacle (Pin contact)												
03: Oval Flange Receptacle (Pin contact)												
06: Plug (Socket contact)												
Contact type												
Blank for PCB contacts, and in case of Black Zinc Nickel Plating												
R: Crimp contacts												
Ground Plane												
G: Grounded cavity (conductive insert)												
Contact type												
C: Coax contact size 8												
T: Twinax contact size 8												
Q: Quadrax contact size 8												
For other contacts, please consult us												
Plating												
W: Olive drab cadmium (500h salt spray)												
ZN: Black zinc nickel (300h salt spray) ✓												
F: Nickel (48h salt spray) ✓												
PCB Contacts												
Blank for Crimp contacts												
C: Standard PCB contacts												
Contact arrangement												
7-5												
Contact type												
P: Pin for Receptacles only												
S: Socket for Plugs only												
Polarization												
Blank for neutral, or A, B, C, D												
Contacts												
Omit for connectors delivered with contacts												
LC: Connector delivered without contacts												
Accessory for Crimp versions only												
Blank : without accessory (and for PCB versions)												
1: with heatshrink boot												
2: with micro-band 3mm												
3: with heatshrink boot and micro-band 3mm												

Metallic caps for size 7

Series	BER	N	387TV07	W
Cap for 38999 size 7 receptacle				
BER: Cap for jam nut receptacle				
BEC: Cap for oval flange receptacle				
BF: Cap for plug				
Wire type				
N: Nylon cord				
Connector type				
387TV07: Cap for size 7 jam nut receptacle				
387TV03: Cap for size 7 oval flange receptacle				
387TV06: Cap for size 7 plug				
Plating				
W: Olive drab Cadmium				
ZN: Black Zinc Nickel ✓				
F: Nickel				

✓: RoHS compliant



X-ON Electronics

Largest Supplier of Electrical and Electronic Components

Click to view similar products for [Circular MIL Spec Tools, Hardware & Accessories](#) *category:*

Click to view products by [Amphenol](#) *manufacturer:*

Other Similar products are found below :

[0113-201-2025](#) [600-079-06](#) [600-146-06](#) [M10-101983-183](#) [M10-454396-008](#) [602GB18808](#) [CS3102A-22-14PW](#) [M2887615-CD](#) [627-009](#)
[M38999/9-19B](#) [630A007NF083A](#) [630B007M051A](#) [630BJ003NF032H](#) [637-149NF04B](#) [M39029/29-215](#) [6408-203V-09273](#) [6426-201-11343](#)
[650FS002NF16](#) [660-008NF14S7-01](#) [660-009M22H8-03](#) [660-013NF19U6-210](#) [660-015M10S6-17](#) [660-015NF10S5-01](#) [660-015NF14R3.5-01](#)
[660-023NF19H6-19](#) [660-024NF11S12-01](#) [660-024NF11S3-01](#) [660-024NF17S4-109](#) [660-050XM17F4-01](#) [660-068NF25R6-30G](#) [660-](#)
[070M23S8-04](#) [660-073MTCH9-20](#) [M83723/61-18W](#) [M83723/61-218R](#) [M83723/61-224W](#) [667-084-23C](#) [667-084-35C](#) [667-224NF16](#) [687-](#)
[697NF-1](#) [M85049/94-10-A](#) [M85049/96-7-A](#) [M855282-10A01A](#) [M85528/2-10B](#) [M855282-18A01A](#) [M85528/2-22A01A](#) [M85528/2-22AA](#)
[710HS460NF2508](#) [780-001-22G12-SK](#) [780-002-19G12-SK](#) [780-002-20G12SK](#)