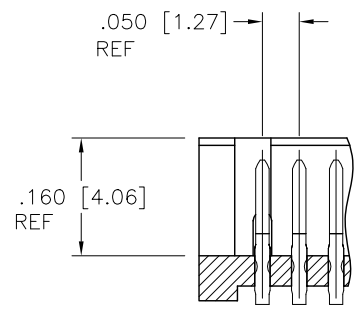
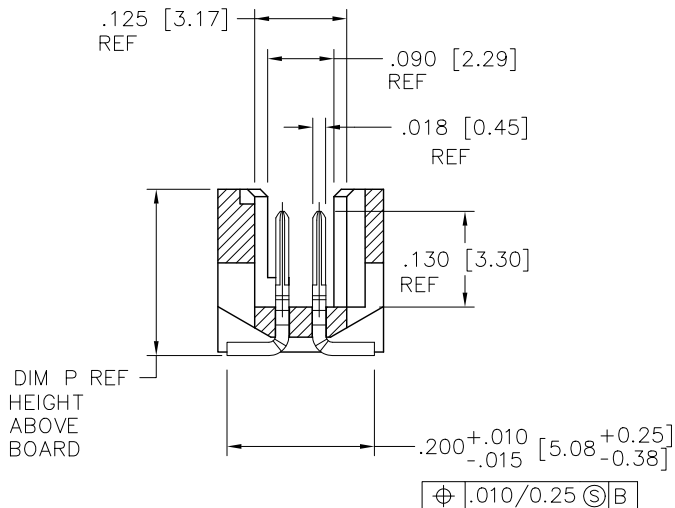


SIZE	DIM H	DIM J	DIM K	DIM L
2X5	.275/6.99	.200/5.08	.372/9.45	.320/8.13
2X10	.525/13.34	.450/11.43	.622/15.80	.570/14.48
2X15	.775/19.68	.700/17.78	.872/22.15	.820/20.83
2X20	1.025/26.03	.950/24.13	1.122/28.50	1.070/27.18
2X25	1.275/32.38	1.200/30.48	1.372/34.85	1.320/33.53
2X30	1.525/38.74	1.450/36.83	1.622/41.20	1.570/39.88
2X35	1.775/45.08	1.700/43.18	1.872/47.55	1.820/46.23
2X40	2.025/51.43	1.950/49.53	2.122/53.90	2.070/52.58
2X45	2.275/57.78	2.200/55.88	2.372/60.25	2.320/58.93
2X50	2.525/64.14	2.450/62.23	2.622/66.60	2.570/65.28



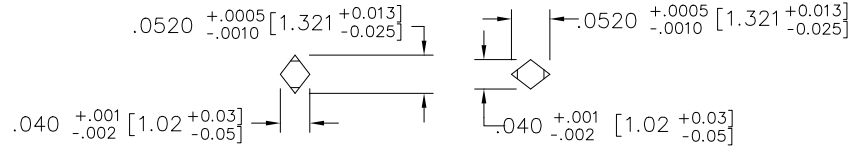
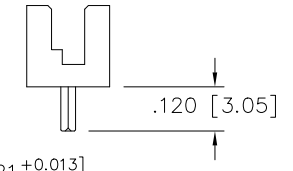
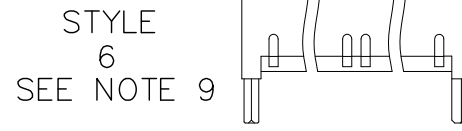
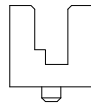
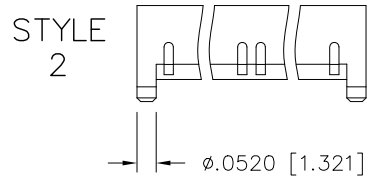
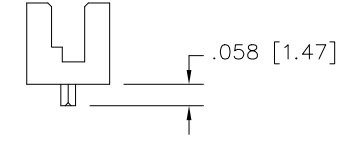
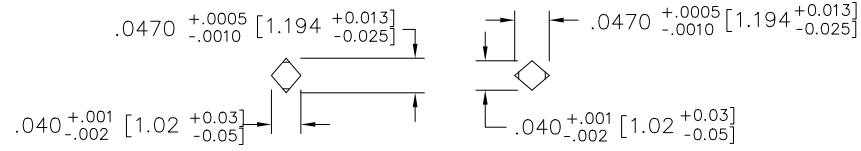
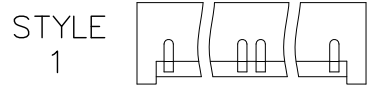
SECTION Y-Y

mat'l. code		surface		tolerance		projection		product family		
-		ISO 1302 ✓		ISO 406 ISO 1101				RIBCAGE		
ltr	ecn	no	dr	date		tolerances unless otherwise specified		title		
AG						angles	linear	INCH/MM		
						±2'		scale 3:1		
								RIBCAGE III SMT VERT. HEADER ASS'Y		
						dr	M. CORNMAN	6/07/95	dwg no	
						engr	D. WHITING	6/07/95	sheet 2 of 8	
						chr	D. WHITING	6/07/95	size	
						appd	D. WHITING	6/07/95	A3	
								type Product Customer Drawing		
sheet	revision									
index	sheet									

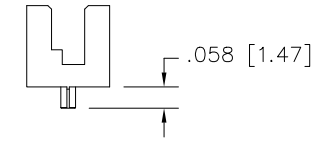
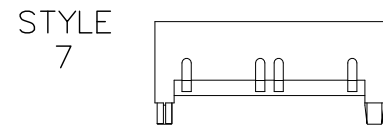
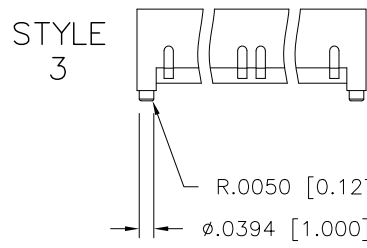


Copyright FCJ
 FCconnect.com
 B
 C
 D

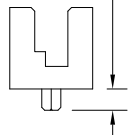
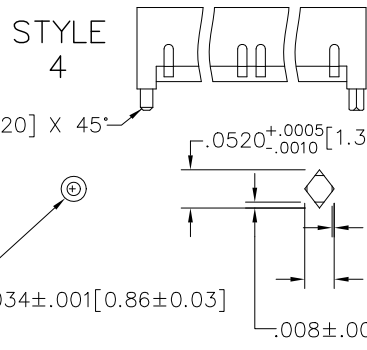
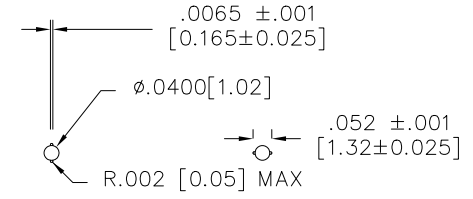
LOCATOR/HOLDDOWN VARIATIONS



⊕ ∅ .004/0.10 (M) A (S) B (S) (ALL PEG CONFIGURATIONS)



$.058 \pm .003$ [1.47 ± 0.08]



mat'l. code		surface		tolerance		projection		product family	
-		ISO 1302 ✓		ISO 406 ISO 1101				RIBCAGE	
ltr		ecn		no		dr		date	
AG									
				tolerances unless otherwise specified				title	
				angles		$.XX \pm .01/0.3$ $.XXX \pm .005/0.13$ $.XXXX \pm .0020/0.05$		RIBCAGE III SMT VERT. HEADER ASS'Y	
				$\pm 2^\circ$		scale 3:1		dwg no	
				dr		M. CORNMAN		6/07/95	
				engr		D. WHITING		6/07/95	
				chr		D. WHITING		6/07/95	
				appd		D. WHITING		6/07/95	
sheet		revision							
index		sheet							

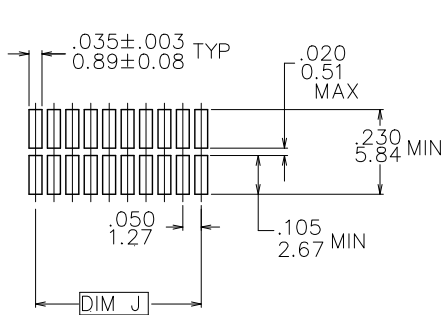


Copyright FCI

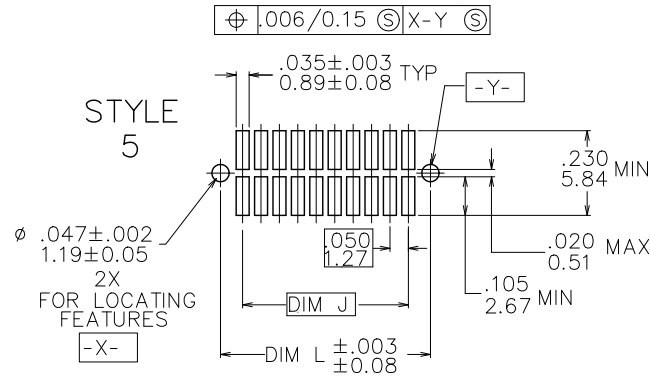
FCIconnect.com

RECOMMENDED PCB MOUNTING PAD PATTERN

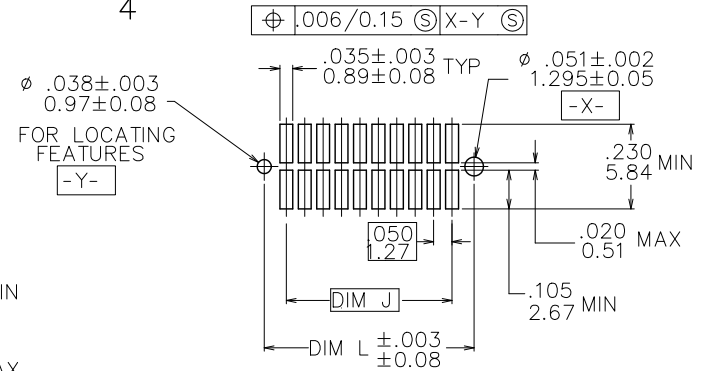
STYLE 1



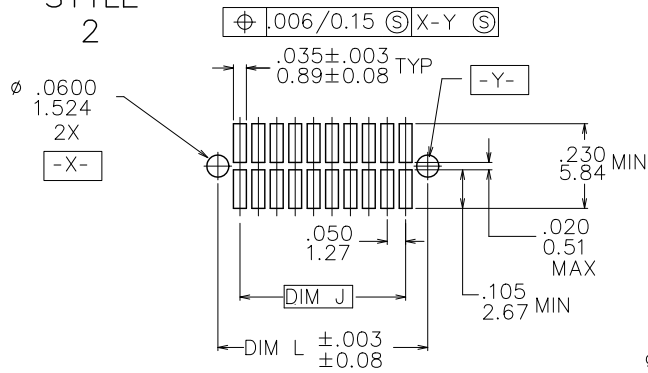
STYLE 5



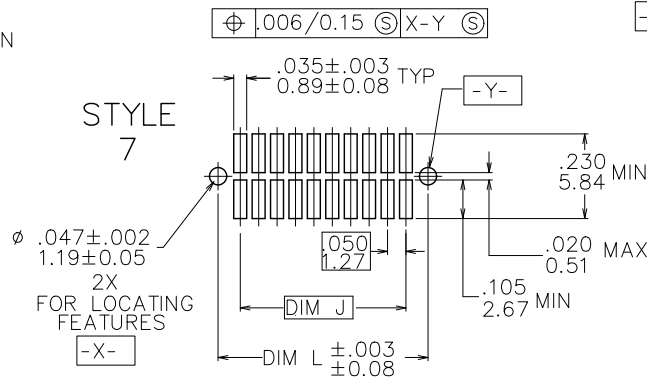
STYLE 4



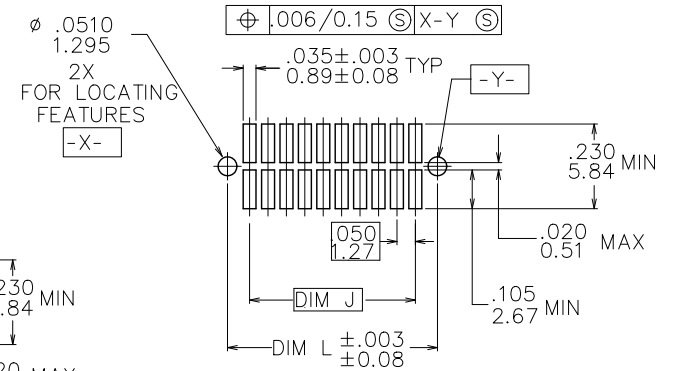
STYLE 2



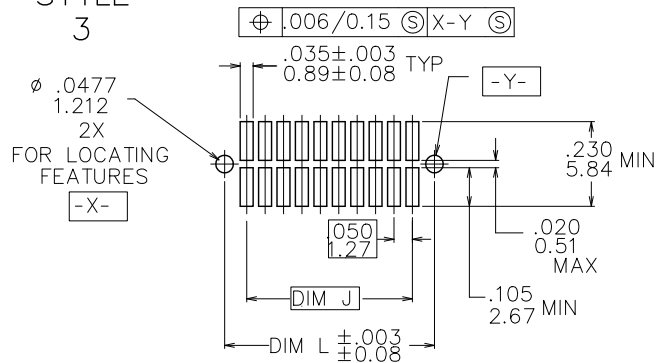
STYLE 7



STYLE 6



STYLE 3



mat'l. code		surface		tolerance		projection		product family		
-		ISO 1302 ✓		ISO 406 ISO 1101				RIBCAGE		
ltr	ecn	no	dr	date		tolerances unless otherwise specified		title		
AG						angles linear .XX±.01/0.3 .XXX±.005/0.13 ±2' .XXXX±.0020/0.05		INCH/MM RIBCAGE III SMT VERT. HEADER ASS'Y		
						scale 3:1		dwg no		
								sheet 4 of 8 size		
								95781 A3		
								type Product Customer Drawing		
sheet index	revision sheet									

PRODUCT NUMBER NOTE 1,4A & 4B	DIM P HEIGHT ABOVE BOARD (REF.)	HOLDDOWN STYLE
72428-1XX	.244/6.20	1
73546-1XX	.364/9.25	1
73547-1XX	.364/9.25	2
73548-1XX	.364/9.25	4
84700-1XX	.226/5.74	7
84701-1XX	.298/7.57	7
84734-1XX	.364/9.25	7
87401-1XX	.226/5.74	6
87409-1XX	.226/5.74	2
87849-1XX	.226/5.74	1
88566-1XX	.260/6.60	2
90098-1XX	.298/7.57	2
90863-1XX	.226/5.74	1
91036-1XX	.364/9.25	5
91423-1XX	.226/5.74	2
91855-1XX	.226/5.74	5
92099-1XX	.226/5.74	4
92412-1XX	.298/7.57	4
93206-1XX	.226/5.74	3
93221-1XX	.298/7.57	1
93289-1XX	.298/7.57	5

OBSOLETE

OBSOLETE

OBSOLETE

OBSOLETE

SEE NOTE 10

~~*~~ OBSOLETE

OBSOLETE

OBSOLETE

OBSOLETE

TABLE A

CUSTOMER SPECIAL

mat'l. code		surface		tolerance		projection		product family	
-		ISO 1302 ✓		ISO 406 ISO 1101				RIBCAGE	
ltr	ecn	no	dr	date		tolerances unless otherwise specified		title	
AG						angles	linear		
						±2'		INCH/MM scale 3:1	
								.XX±.01/0.3 .XXX±.005/0.13 .XXXX±.0020/0.051	
						dr	M. CORNMAN	6/07/95	
						enrg	D. WHITING	6/07/95	
						chr	D. WHITING	6/07/95	
						appd	D. WHITING	6/07/95	
sheet	revision								
index	sheet								



title
**RIBCAGE III SMT
 VERT. HEADER ASS'Y**
 dwg no 95781 sheet 5 of 8 size A3
 type Product Customer Drawing



Copyright FCI

D

A

B

C

D

A

B

C

D

PRODUCT NUMBER NOTE 11,4C	QTY. REEL	TAPE WIDTH PITCH MM	CONNECTOR ORIENTATION IN TAPE POCKET
72428-120TR	500	44/12	VIEW 1
73546-105TR		24/12	
73546-110TR		32/12	
73546-115TR		44/12	
73546-120TR		44/12	
73546-125TR		56/12	
73546-130TR		56/12	
73546-135TR		72/12	
73546-140TR		72/12	
73546-145TR		72/12	
73546-150TR		88/12	
73547-105TR		24/12	
73547-110TR		32/12	
73547-115TR		44/12	
73547-120TR		44/12	
73547-125TR		56/12	
73547-130TR		56/12	
73547-135TR		72/12	
73547-140TR		72/12	
73547-145TR		72/12	
73547-150TR	500	88/12	
84700-105TR	400	24/12	
84700-135TR	500	72/12	
87409-105TR		24/12	
87409-110TR		24/12	
87409-115TR		44/12	
87409-120TR		44/12	
87409-125TR		56/12	
87409-130TR	500	56/12	VIEW 1

TABLE C

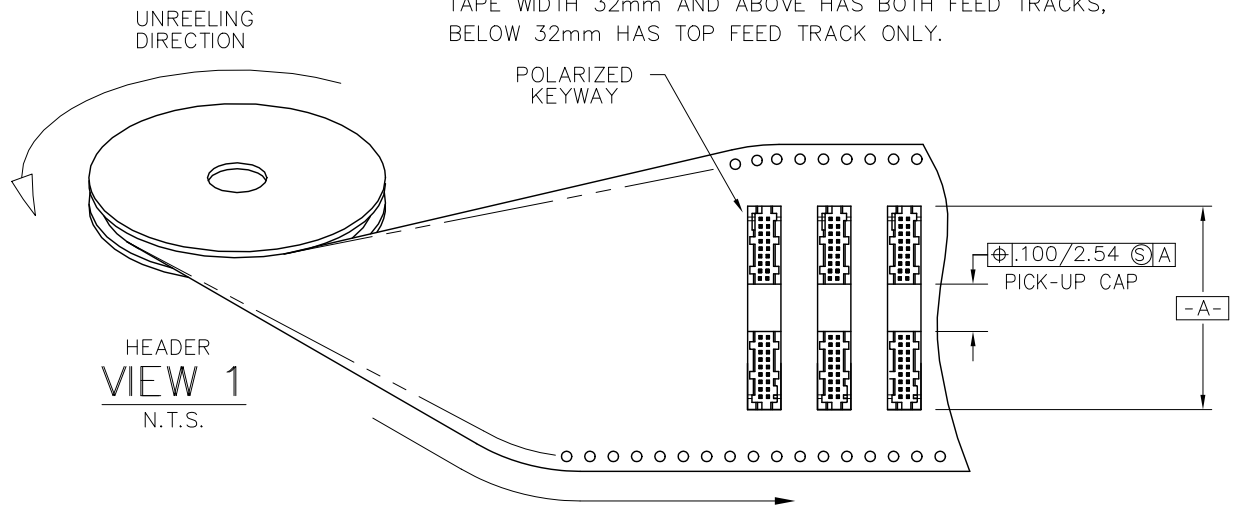
OBSOLETE

OBSOLETE

OBSOLETE

REFERENCE ONLY :

TAPE WIDTH 32mm AND ABOVE HAS BOTH FEED TRACKS,
BELOW 32mm HAS TOP FEED TRACK ONLY.

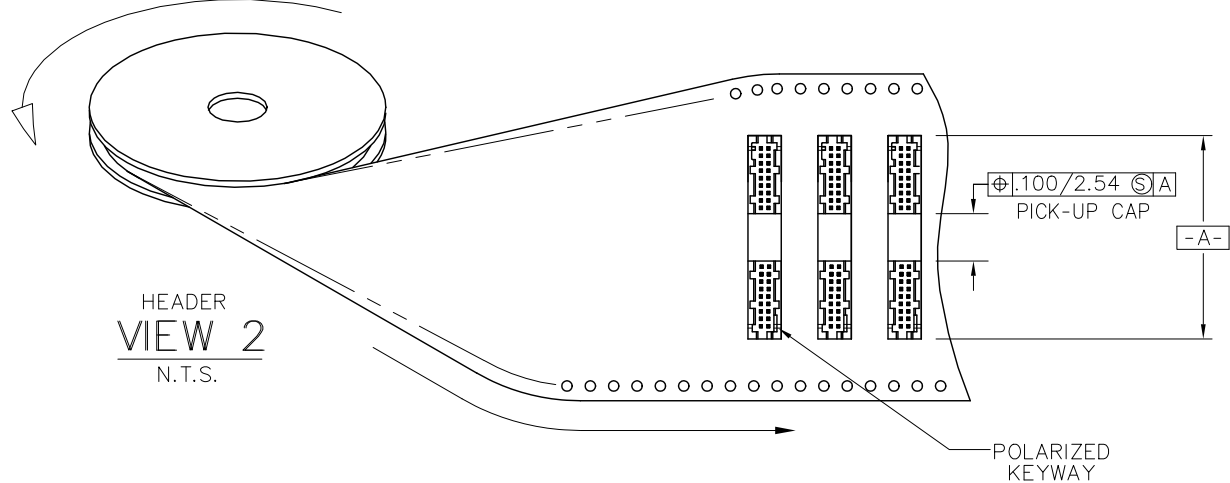


HEADER
VIEW 1
N.T.S.

UNREELING
DIRECTION

HEADER
VIEW 2
N.T.S.

N.T.S.



mat'l. code		surface		tolerance		projection		product family	
-		ISO 1302 ✓		ISO 406 ISO 1101				RIBCAGE	
ltr	ecn	no	dr	date		tolerances unless otherwise specified		title	
AG						.XX±.01/0.3 .XXX±.005/0.13 ±2' .XXX±.0020/0.05		RIBCAGE III SMT VERT. HEADER ASS'Y	
						linear INCH/MM scale 3:1		title RIBCAGE III SMT VERT. HEADER ASS'Y	
						dr M. CORNMAN 6/07/95 engr D. WHITING 6/07/95 chr D. WHITING 6/07/95 appd D. WHITING 6/07/95		dwg no 95781 sheet 6 of 8 size A3	
								type Product Customer Drawing	
sheet index	revision sheet								

PRODUCT NUMBER NOTE 11,4C	QTY. REEL	TAPE WIDTH PITCH MM	CONNECTOR ORIENTATION IN TAPE POCKET
87409-135TR	500	72/12	VIEW 1
87409-140TR	↑	72/12	↑
87409-145TR		72/12	
87409-150TR		88/12	
87849-105TR		24/12	
87849-110TR		24/12	
87849-115TR		44/12	
87849-120TR		44/12	
87849-125TR		56/12	
87849-130TR		56/12	
87849-135TR		72/12	
87849-140TR		72/12	
87849-145TR		72/12	
87849-150TR		88/12	
88566-110TR		24/12	
88566-115TR		44/12	
88566-130TR	500	56/12	
90098-105TR	400	24/12	
90098-110TR	400	32/12	
90098-115TR	500	44/12	
90098-120TR	500	44/12	
90098-125TR	400	56/12	
90098-130TR	500	56/12	
90098-135TR	↑	72/12	
90098-140TR		72/12	
90098-145TR		72/12	
90098-150TR		88/12	
90863-110	↓	24/12	↓
90863-115	500	44/12	VIEW 1

TABLE C

mat'l. code -		surface ISO 1302 ✓		tolerance ISO 406 ISO 1101		projection 		product family RIBCAGE	
ltr	ecn	no	dr	date		tolerances unless otherwise specified		title	
AG						angles	linear	INCH/MM	
						±2'		scale 3:1	
						dr	M. CORNMAN	6/07/95	
						engr	D. WHITING	6/07/95	
						chr	D. WHITING	6/07/95	
						appd	D. WHITING	6/07/95	
sheet index		revision sheet							

RIBCAGE III SMT
VERT. HEADER ASS'Y



dwg no 95781 sheet 7 of 8 size A3
type Product Customer Drawing

PRODUCT NUMBER NOTE 11,4C	QTY. REEL	TAPE WIDTH PITCH MM	CONNECTOR ORIENTATION IN TAPE POCKET
90863-115REV	500	44/12	VIEW 2
90863-120	↑	44/12	VIEW 1
90863-125		56/12	↑
90863-130		56/12	
91036-110P		24/16	
93206-110TR	↓	24/12	
93206-115TR	500	44/12	
93221-105TR	400	24/12	
93221-110TR	400	32/12	
93221-115TR	500	44/12	
93221-120TR	500	44/12	
93221-125TR	400	56/12	
93221-130TR	500	56/12	
93221-135TR	↑	72/12	
93221-140TR		72/12	
93221-145TR	↓	72/12	↓
93221-150TR	500	88/12	VIEW 1

TABLE C

NOTES:

- ① XXXXX-XXXLF
 - LEAD FREE OPTION (NOTE 11& 13)
 - NUMBER OF POSITIONS (NOTE 2)
2. NUMBER OF POSITIONS = 05 THRU 50 IN 5 POS INCREMENTS.
(EXAMPLE : 105=10 POS., 110=20 POS. ETC.)
- ③ REQUIRED ON -X40,-X45 & -X50 POSITION PARTS ONLY.
- ④ PACKAGING :
 A. ANTISTATIC TUBES. SEE TABLE A
 B. ADD "CT" TO END OF DASH NUMBER FOR CONNECTOR WITH VACUUM CAP IN ANTISTATIC TUBES.
 EX. : XXXXX-1XXCT
 C. PRESSURE SEALED TAPE AND REEL. SEE TABLE C FOR AVAILABLE PART NUMBERS.
5. HOUSING MATERIAL :
GLASS FILLED THERMOPLASTIC FLAME RETARDANT PER UL 94V-0.
COLOR : NATURAL
6. TERMINAL PLATING :
30u"/.76u HARD GOLD OR GXT OVER 50u"/1.27u NI ON CONTACT ZONES.
100u"/2.54u PURE TIN OVER 50u"/1.27u Ni IN SOLDERING ZONES.
- ⑦ MOLDING FLOW RESTRICTOR QUANTITY AND LOCATION IS MANUFACTURING OPTION.
- ⑧ VACUUM CAP SLOT REQUIRED ON ALL SIZES, SLOT MAY BE LOCATED ON OPPOSITE SIDE FOR 2 X 5.
- ⑨ STYLE 6 IS NOT AVAILABLE IN TAPE AND REEL.
- ⑩ 90863-1XX IS PACKAGED ONLY IN TAPE AND REEL.
- ⑪ ADD LF SUFFIX AT THE END OF PART NUMBER FOR LEAD FREE OPTION.
12. THE HOUSING WILL WITHSTAND EXPOSURE TO 260°C PEAK TEMPERATURE FOR 20 SECONDS IN A CONVECTION, INFRA-RED OR VAPOR PHASE REFLOW OVEN. SEE APPLICATION NOTE/PROCEDURES IF THEY ARE AVAILABLE.
13. THIS PRODUCT MEETS EUROPEAN UNION DIRECTIVES AND OTHER COUNTRY REGULATION AS DESCRIBED IN GS-22-008.
14. PRODUCT SPECIFICATION SEE BUS-12-087.

mat'l. code		surface		tolerance		projection		product family	
-		ISO 1302 ✓		ISO 406 ISO 1101				RIBCAGE	
ltr	ecn	no	dr	date		tolerances unless otherwise specified		title	
AG						.XX±.01/0.3 .XXX±.005/0.13 ±2' .XXXX±.0020/0.051		INCH/MM scale 3:1	
			dr	M. CORNMAN	6/07/95			sheet 8 of 8 size 95781 A3	
			enrg	D. WHITING	6/07/95			type Product Customer Drawing	
			chr	D. WHITING	6/07/95				
			appd	D. WHITING	6/07/95				
sheet index	revision sheet								

X-ON Electronics

Largest Supplier of Electrical and Electronic Components

Click to view similar products for [Headers & Wire Housings](#) category:

Click to view products by [Amphenol](#) manufacturer:

Other Similar products are found below :

[95000-104TRLF](#) [10135584-644402LF](#) [DF62W-EP2022PCA](#) [95000-106TRLF](#) [DF62W-2022SCA](#) [DF62W-EP2022PC](#) [2203348](#) [DF62W-2022SC](#) [1084018](#) [1029039](#) [1084017](#) [802-10-012-10-002000](#) [1112640](#) [1112639](#) [000-34000](#) [0009482033](#) [0009507031](#) [57102-S06-03LF](#) [57202-S52-04LF](#) [PCN6-15S-2.5E](#) [0039019024](#) [58102-G61-06LF](#) [582553-1](#) [0009485154](#) [0009508121](#) [0022285053](#) [0050291907](#) [018731A](#) [LY20-4P-DT1-P1E-BR](#) [02.125.8002.8](#) [60101931](#) [60598-1 \(Cut Strip\)](#) [M1625-3R/100](#) [61062-3](#) [61082-181009](#) [636-1427](#) [638009-1](#) [641938-9](#) [641991-4](#) [644168-1](#) [647662-1](#) [65039-019ELF](#) [65781-047](#) [65817-002LF](#) [65817-015LF](#) [65863-015LF](#) [66207-023LF](#) [67016-026LF](#) [67046-001LF](#) [67095-007LF](#)