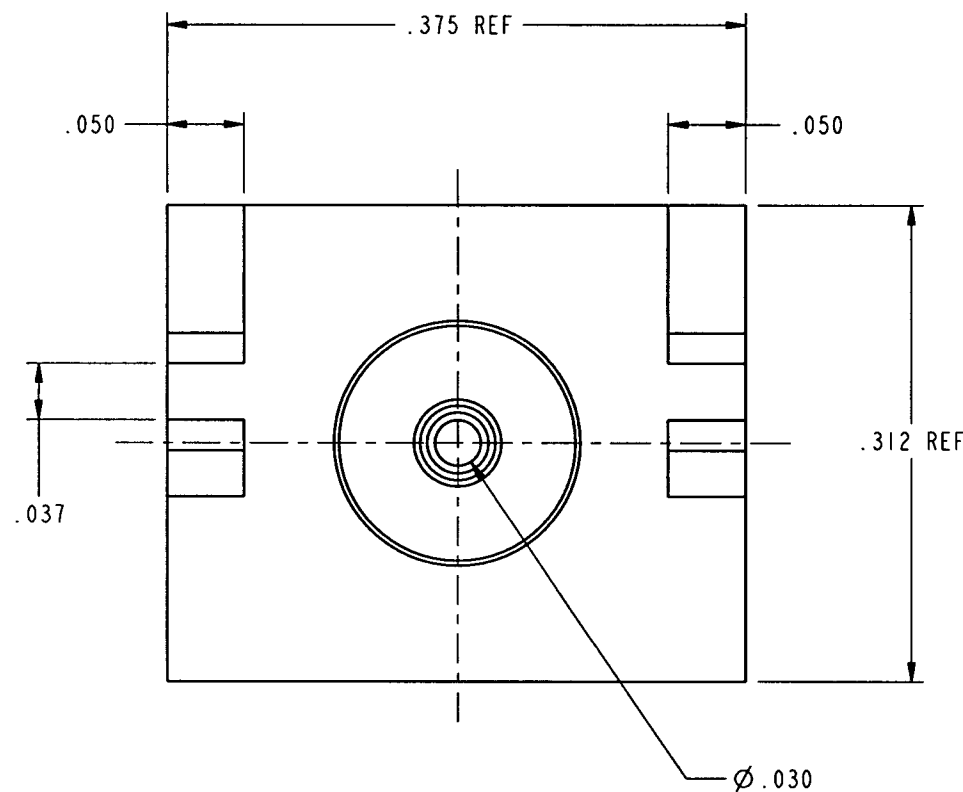
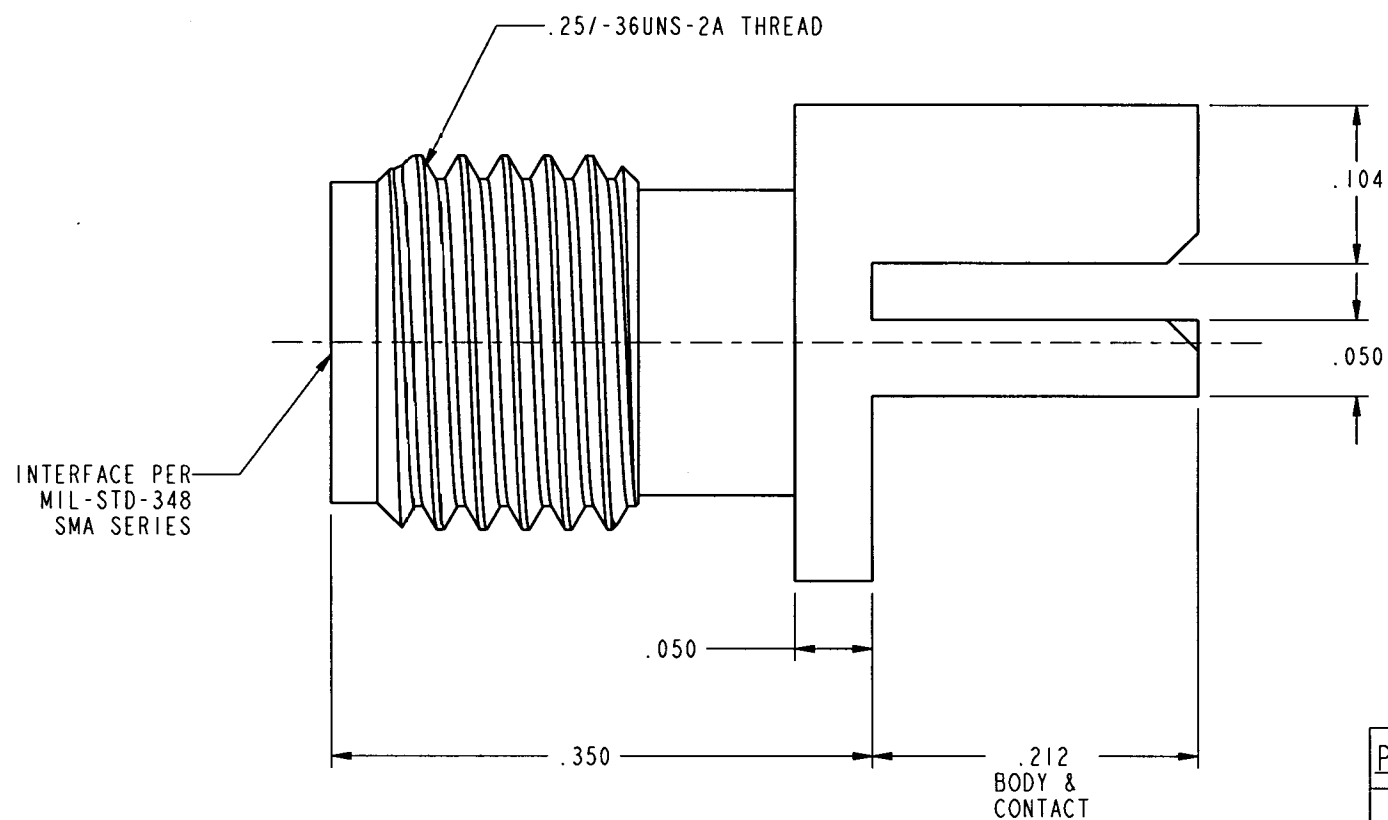
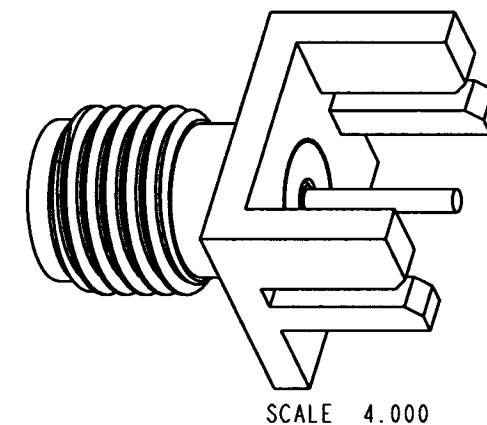


NNNN

1. MATERIALS OF CONSTRUCTION:  
 BODY = BRASS, GOLD PLATED  
 CONTACT = BERYLLIUM COPPER, GOLD PLATED  
 INSULATOR = TFE FLUOROCARBON

901-10019-X		REVISIONS			
DRAWING NO.	REV	DESCRIPTION	DATE	ECO	APPR
THIRD ANGLE PROJ.	--	RELEASE TO MFG.			
	C	SEE SHEET 1	10/11/00	43536	CPM



PART NUMBER	PACKAGING
901-10019	SINGLE
901-10019B	100 PCS.

CUSTOMER OUTLINE DRAWING  
 FOR REFERENCE ONLY

UNLESS OTHERWISE SPECIFIED, DIMENSIONS ARE IN INCHES AND TOLERANCES ARE:  
 2 PLACE DECIMAL ±.015 (0.381 mm)  
 3 PLACE DECIMAL ±.005 (0.127 mm)  
 ANGLES ± 1°

NOTICE - These drawings, specifications, or other data (1) are, and remain the property of Amphenol Corp. (2) must be returned upon request; and (3) are confidential and not to be disclosed to any person other than those to whom they are given by Amphenol Corp. The furnishing of these drawings, specifications, or other data by Amphenol Corp., or to any other person to anyone for any purpose is not to be regarded by implication or otherwise in any manner licensing, granting rights or permitting such holder or any other person to manufacture, use or sell any product, process or design, patented or otherwise, that may in any way be related to or disclosed by said drawings, specifications, or other data.

MATERIAL

REFERENCE  
 EAR 102-967320-1  
 615X-1547-100  
 GEN# ASSYF37\_SMA

DRAWN  
 C. McGRATH  
 DATE  
 28-Sep-00

ENGINEER  
 P. BRENZEL  
 DATE  
 28-Sep-00

APPROVED  
 DATE

CAD FILE  
 I:\SMA\901-10019-X

TITLE  
 SMA JACK  
 END LAUNCH  
 PC MOUNT .032 BOARD

**Amphenol**  
 Amphenol Corporation  
 Communication and Network  
 Products Division  
 Danbury, CT U.S.A. 06810

SCALE: 8.0:1	SHEET 2 OF 2
CODE ID 74868	DWG SIZE B
DRAWING NO. 901-10019-X	REV C

## X-ON Electronics

Largest Supplier of Electrical and Electronic Components

*Click to view similar products for [RF Connectors / Coaxial Connectors](#) category:*

*Click to view products by [Amphenol](#) manufacturer:*

Other Similar products are found below :

[8915-1511-000](#) [89674-0827](#) [6001-7071-019](#) [6002-7051-003](#) [6002-7551-202](#) [6059674-1](#) [619550-1](#) [630059-000](#) [M39030/3-01N](#) [6500-7071-046](#) [6769](#) [CX050L2AQ](#) [7002-1542-011](#) [7004-1512-000](#) [7009-1511-004](#) [7010-1511-000](#) [7029-1511-060](#) [7101-1541-010](#) [7101-1571-002](#) [7105-1521-002](#) [7145-1521-002](#) [7203-1571-003](#) [7209-1511-011](#) [7210-1511-015](#) [7210-1511-019](#) [73137-5015](#) [73216-2241](#) [7325-1512-000](#) [73404-2300](#) [7405-1521-005](#) [7405-1521-802](#) [7406-1521-005](#) [8527](#) [8547](#) [FS11V](#) [8808-1511-001](#) [9049-9513-000](#) [9074-9513-000](#) [9101-9573-002](#) [910A205F](#) [9130-9573-002](#) [PL11SC-026](#) [PL375-33](#) [PL40-5](#) [PL71-9](#) [PL74C-221](#) [PL75MC-217](#) [PL803-7](#) [980-8666-005](#) [1200690078](#)