

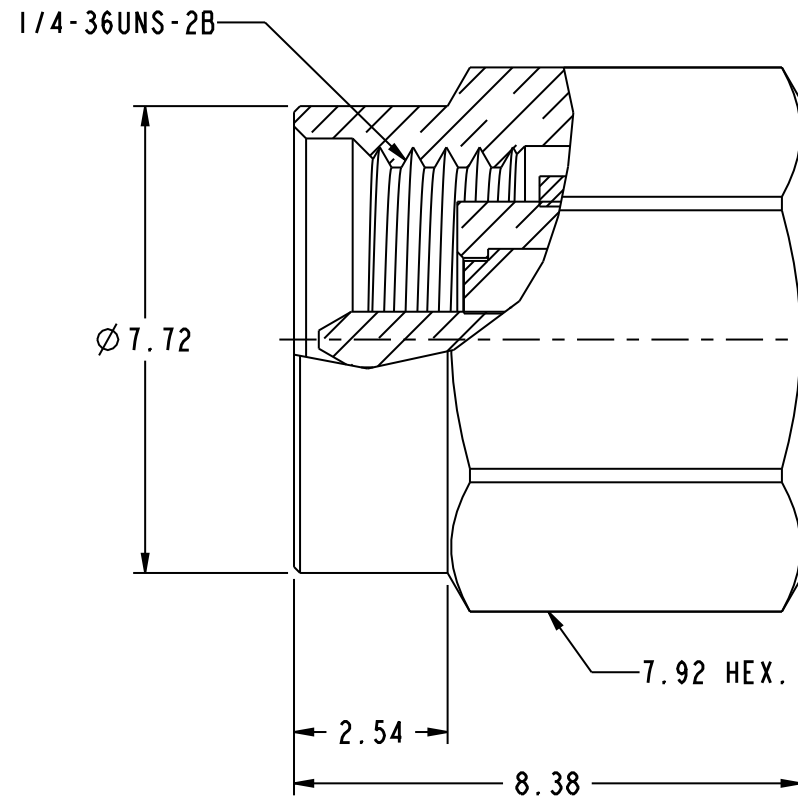
NOTES:

1. MATERIAL AND FINISH (PLATING THICKNESS IN MICRO-INCHES):  
 BODY - BRASS, GOLD PLATING  
 CONTACT -BRASS, GOLD PLATING  
 INSULATOR - PTFE, NATURAL
2. ELECTRICAL:  
 A. IMPEDANCE:50 OHM  
 B. FREQUENCY RANGE: 0-12.4 GHz.
3. MECHANICAL:  
 A. DURABILITY:500 CYCLES MIN.  
 B. TEMPERATURE RANGE:-65°C TO +165°C

THIRD ANGLE PROJ.

REVISIONS

| REV | DESCRIPTION                                | DATE      | ECO   | APPR |
|-----|--|-----------|-------|------|
| C   | NO. 1 AND NO.2 WERE CHANGED\RD-DM93040801E | 04-08-04' |       | SH   |
| D   | GS00AAA87A WAS S-6/43X06\RD-DM06050501C    | 05-05-06' |       | SH   |
| E   | NO.1 WAS CHANGED\RD-DM06102001C            | 10-26-06' |       | SH   |
| F   | NO.3 WAS CHANGED\RD-DM10102601S4           | 23-Nov-10 |       | SH   |
| G   | USE NEW GLOBAL FORMAT\RD-DM10121501F       | 15-Dec-10 | 48365 | SH   |



**CUSTOMER OUTLINE DRAWING**  
 ALL OTHER SHEETS ARE FOR INTERNAL USE ONLY

UNLESS OTHERWISE SPECIFIED, DIMENSIONS ARE IN METRIC AND TOLERANCES ARE:  
 <0.5mm ±0.05mm    0.5 - 6mm ±0.1mm    6 - 30mm ±0.2mm    30 - 120mm ±0.3mm    ANGLES ±1°

NOTICE - These drawings, specifications, or other data (1) are, and remain the property of Amphenol corp. (2) must be returned upon request; and (3) are confidential and not to be disclosed to any person other than those to whom they are given by Amphenol Corp. the furnishing of these drawings, specifications, or other data by Amphenol Corp., or to any other person to anyone for any purpose is not to be regarded by implication or otherwise in any manner licensing, granting rights to permitting such holder or any other person to manufacture, use or sell any product, process or design, patented or otherwise, that may in any way be related to or disclosed by said drawings, specifications, or other data.

|  |                              |                   |                              |              |  |  |
|--|------------------------------|-------------------|------------------------------|--------------|--|--|
| MATERIAL                                 | DRAWN<br>F. WANG             | DATE<br>15-Dec-10 | TITLE<br>SMA TERMINATOR PLUG |              | Amphenol RF<br>Danbury CT USA, Tainan, Taiwan, Shenzhen, China<br>www.amphenolrf.com |  |
| REFERENCE<br>AND<br>CONFIGURATION LEVEL: | ENGINEER<br>S. LI            | DATE<br>23-Nov-10 |                              |              |  |  |
| FINISH                                   | APPROVED<br>S. HSIEH         | DATE<br>15-Dec-10 | SCALE: 5.0:1.0               | SHEET 2 OF 2 | DRAWING NO. 901-10106  |  |
|  | CAD FILE<br>I:/SMA/901-10106 |                   | DWG SIZE<br>B                | REV<br>G     | ITEM NO. 901-10106   |  |
|  |                              |                   |                              |              | PART NO.901-10106  |  |

## X-ON Electronics

Largest Supplier of Electrical and Electronic Components

*Click to view similar products for [RF Terminators](#) category:*

*Click to view products by [Amphenol](#) manufacturer:*

Other Similar products are found below :

[M390303-02N](#) [M39030/3-04S](#) [M39030/3-09S](#) [TNG1-9-78-D3](#) [TNA2-50](#) [TNG1-6-78](#) [TNH1-1-50](#) [R404280000](#) [TNGFL1-1-78](#) [R4042N5000](#)  
[R404518000](#) [53S1RR-001N3](#) [142275](#) [56S1RR-001N4](#) [18S15R-0.5E3](#) [65\\_BNC-50-0-7/133\\_NE](#) [71S1RR-001N4](#) [02S17R-001D3](#)  
[R404240120](#) [R404260000](#) [HT-10-2](#) [M39030/3-04N](#) [TNA1-6-50](#) [131-3801-811](#) [TNA1-1-50](#) [65\\_N-50-0-51/113\\_NE](#) [65\\_N-50-0-1/133\\_NE](#)  
[65002\\_N-50-1/122\\_NE](#) [65\\_MMCX-50-0-31/111\\_OE](#) [18K15R-0.5E3](#) [2702702](#) [TRM-2161-M0-35M-02](#) [53S17R-001N3](#) [18S24H-40ML5](#)  
[TRM-2053-M0-NNN-02](#) [R404759000](#) [M39030/6-02N](#) [TRM-2080-M0-NNN-07](#) [TRM-2053-MC-NNN-02](#) [M39030/3-03S](#) [SF8012-6009](#)  
[6701.01.A](#) [65\\_716-50-0-2/003\\_-E](#) [65\\_SMB-50-0-1/111\\_NE](#) [M39030/3-12N](#) [M39030/5-06N](#) [82-5722-RFX](#) [8018-6174](#) [SF8018-6005](#) [000-46650-51RFX](#)