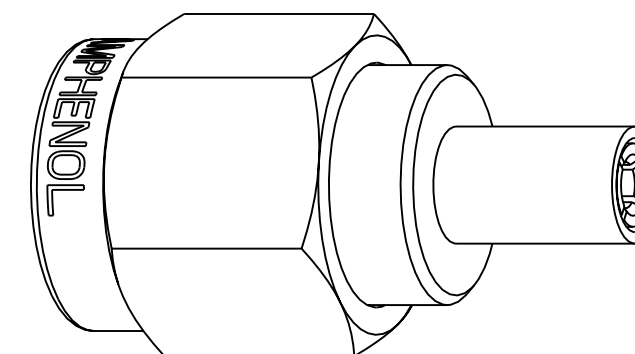


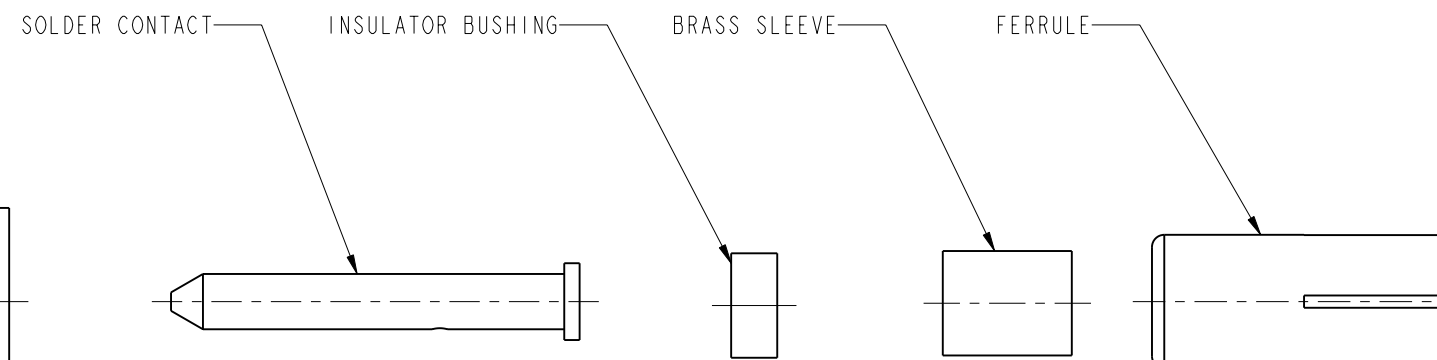
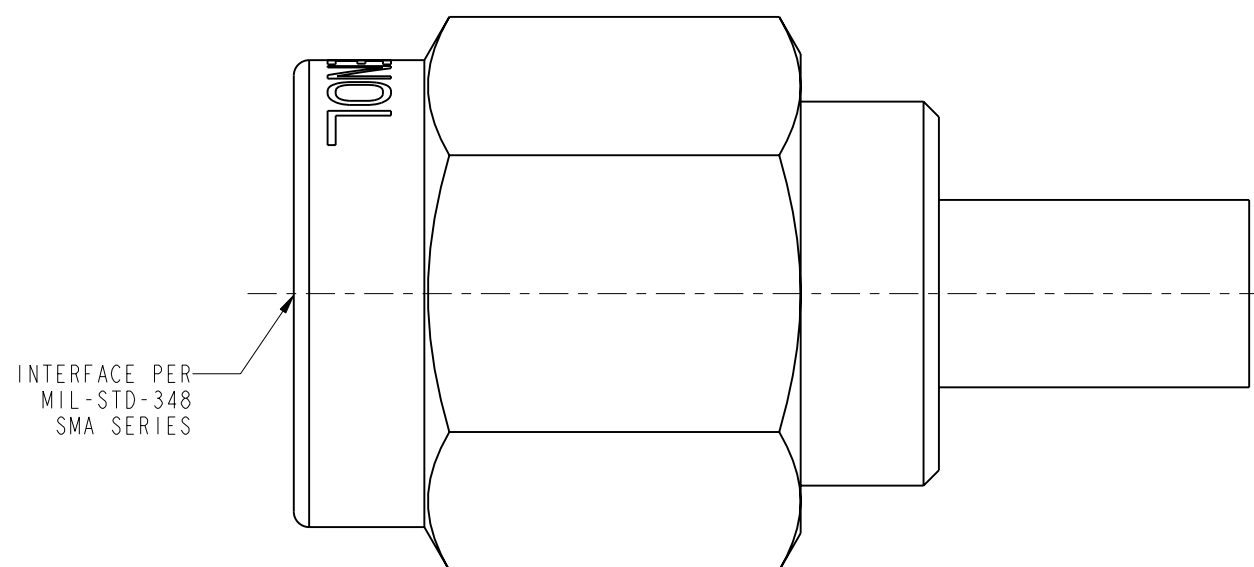
NOTES:

1. MATERIALS AND FINISHES:
  - BODY, SLEEVE, FERRULE - BRASS, GOLD PLATING (.000003 THICK MIN.)
  - COUPLING NUT - BRASS, GOLD PLATING (.000010 THICK MIN.)
  - RETAINING RING - BeCu
  - GASKET - SILICONE, RED
  - CONTACT - BRASS, GOLD PLATING (.000030 THICK MIN.)
  - INSULATORS - PTFE
2. ELECTRICAL:
  - A. IMPEDANCE: 50 OHM
  - B. FREQUENCY RANGE: DC - 6 GHz
  - C. VSWR(RETURN LOSS): 1.3 - 3 GHz MAX.  
1.4 - 6 GHz MAX.
  - D. DIELECTRIC WITHSTANDING VOLTAGE: 750 VRMS, MIN.
3. MECHANICAL:
  - A. DURABILITY: 500 CYCLES MIN.
  - B. TEMPERATURE RANGE: -65° C TO 165° C
4. PACKAGING:
  - A. QUANTITY: SINGLE PACK
  - B. MARKING: BAG TO BE MARKED  
"AMPHENOL, 901-10107, AND DATE CODE"
5. ASSEMBLY:
  - A. STRIP CABLE TO DIMENSIONS SHOWN
  - B. INSERT THROUGH INNER FERRULE, AND PEEL BRAID BACK, OVER INNER FERRULE
  - C. INSTALL BRASS SLEEVE, THEN INSULATOR BUSHING OVER CABLE DIELECTRIC,  
BOTTOMING ON INNER FERRULE
  - D. SOLDER CONTACT TO CABLE CENTER CONDUCTOR, BOTTOMING ON INSULATOR
  - E. INSERT CABLE INTO CONNECTOR UNTIL IT BOTTOMS
  - F. CRIMP BODY OVER INNER FERRULE USING .105 HEX

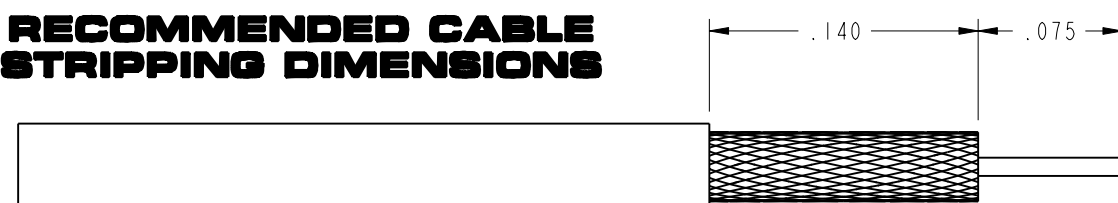
901-10107		REVISIONS			
DRAWING NO.	REV	DESCRIPTION	DATE	ECO	APPR
THIRD ANGLE PROJ.	A	RELEASE TO MFG.	7/18/03	44551	KJC



SCALE 5.000



**RECOMMENDED CABLE STRIPPING DIMENSIONS**



SCALE 10.000

**CUSTOMER OUTLINE DRAWING**

ALL OTHER SHEETS ARE FOR INTERNAL USE ONLY

UNLESS OTHERWISE SPECIFIED, DIMENSIONS ARE IN INCHES AND TOLERANCES ARE: 2 PLACE DECIMAL      3 PLACE DECIMAL      ANGLES ±.015 (0,381 mm)      ±.005 (0,127 mm)      ± 1°	MATERIAL	DRAWN K. CAPOZZI	DATE 08-Apr-03	TITLE SMA (M) STR TO TCB-068 CABLE		<b>Amphenol</b> Amphenol Corporation Communication and Network Products Division Danbury, CT U.S.A. 06810
	REFERENCE EAR #882 ASSYM45_SMA 615X-1917-100	ENGINEER K. CAPOZZI	DATE 08-Apr-03	APPROVED O. BARTHELMES	DATE 7/18/03	
NOTICE - These drawings, specifications, or other data (1) are, and remain the property of Amphenol Corp. (2) must be returned upon request; and (3) are confidential and not to be disclosed to any person other than those to whom they are given by Amphenol Corp. The furnishing of these drawings, specifications, or other data by Amphenol Corp., or to any other person to anyone for any purpose is not to be regarded by implication or otherwise in any manner licensing, granting rights or permitting such holder or any other person to manufacture, use or sell any product, process or design, patented or otherwise, that may in any way be related to or disclosed by said drawings, specifications, or other data.	CAD FILE I:\SMA\901-10107	CODE ID 74868	DWG SIZE B	DRAWING NO. 901-10107	REV A	

## X-ON Electronics

Largest Supplier of Electrical and Electronic Components

*Click to view similar products for [RF Connectors / Coaxial Connectors](#) category:*

*Click to view products by [Amphenol](#) manufacturer:*

Other Similar products are found below :

[8915-1511-000](#) [89674-0827](#) [6001-7071-019](#) [6002-7051-003](#) [6002-7551-202](#) [6059674-1](#) [619550-1](#) [630059-000](#) [M39030/3-01N](#) [M3933/25-36N](#) [6500-7071-046](#) [6769](#) [CX050L2AQ](#) [7002-1542-011](#) [7004-1512-000](#) [7009-1511-004](#) [7010-1511-000](#) [7029-1511-060](#) [7101-1541-010](#) [7101-1571-002](#) [7105-1521-002](#) [7145-1521-002](#) [7203-1571-003](#) [7209-1511-011](#) [7210-1511-015](#) [7210-1511-019](#) [73137-5015](#) [73216-2241](#) [7325-1512-000](#) [73404-2300](#) [7405-1521-005](#) [7405-1521-802](#) [7406-1521-005](#) [8527](#) [8547](#) [FS11V](#) [8808-1511-001](#) [9049-9513-000](#) [9074-9513-000](#) [9101-9573-002](#) [910A205F](#) [9130-9573-002](#) [PL11SC-026](#) [PL375-33](#) [PL40-5](#) [PL71-9](#) [PL74C-221](#) [PL75MC-217](#) [PL803-7](#) [980-8666-005](#)