

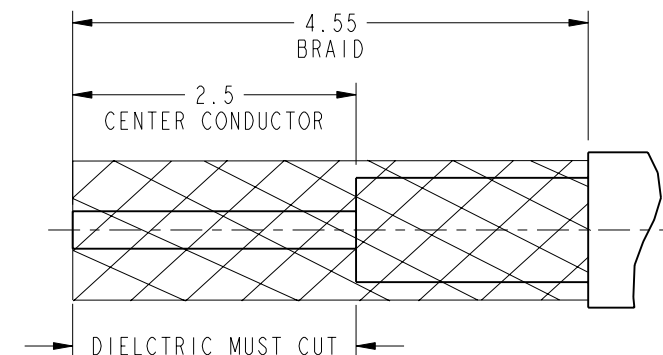
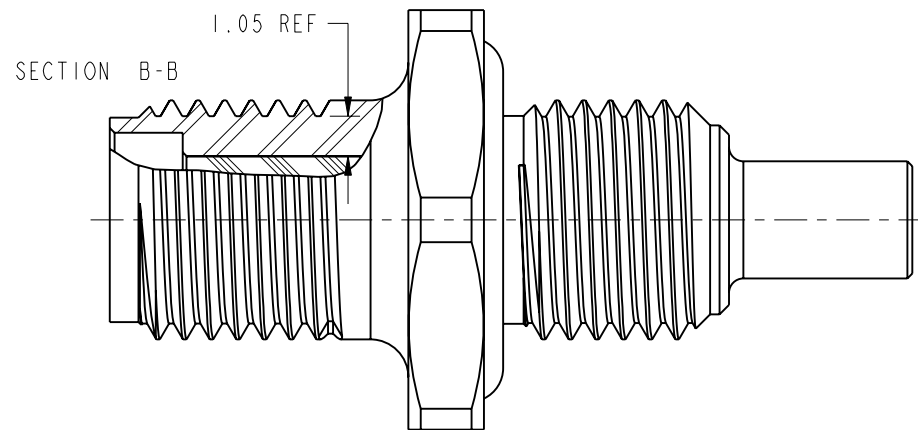
NOTES:

- MATERIALS AND FINISHES:  
 BODY (ONE PIECE) - STAINLESS STEEL, PASSIVATED  
 CONTACT - BRASS & BERYLLIUM COPPER, GOLD PLATING  
 INSULATOR - PTFE, NATURAL  
 O-RING - SILICONE RUBBER PER MIL-ZZ-R-765, TYPE II : .239" ID X .070" THICK  
 ALL MATERIAL COMPLIES WITH ROHS EU DIRECTIVE 2002/95/EC
- ELECTRICAL:  
 A. IMPEDANCE : 50 OHM  
 B. FREQUENCY RANGE : DC - 2 GHz  
 C. VSWR : 1.05 MAX - DC - 450MHz  
           : 1.2 MAX - DC - 2GHz
- PACKAGING:  
 A. QUANTITY: SINGLE PACK  
 B. MARKING: BAG TO BE MARKED  
           "AMPHENOL, 901-10256, AND DATE CODE"
- ASSEMBLY:  
 A. STRIP CABLE TO DIMENSIONS SHOWN  
 B. INSERT THROUGH INNER FERRULE, AND PEEL BRAID BACK, OVER INNER FERRULE  
 C. INSTALL BRASS SLEEVE, THEN INSULATOR BUSHING OVER CABLE DIELECTRIC,  
           BOTTOMING ON INNER FERRULE  
 D. SOLDER CONTACT TO CABLE CENTER CONDUCTOR, BOTTOMING ON INSULATOR  
 E. INSERT CABLE INTO CONNECTOR UNTIL IT BOTTOMS  
 F. CRIMP BODY OVER INNER FERRULE USING .105 HEX
- CONNECTOR MEETS IP 68 RATING - 2M IMMERSION FOR 60 MINUTES.

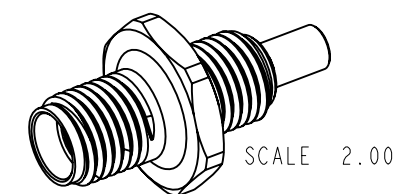
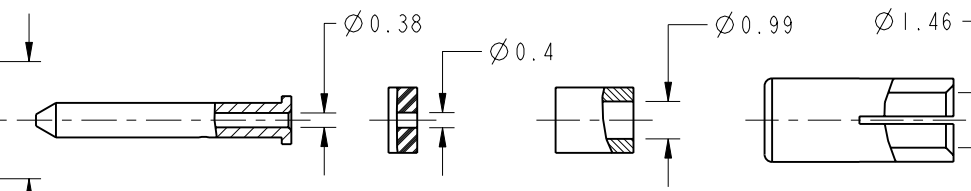
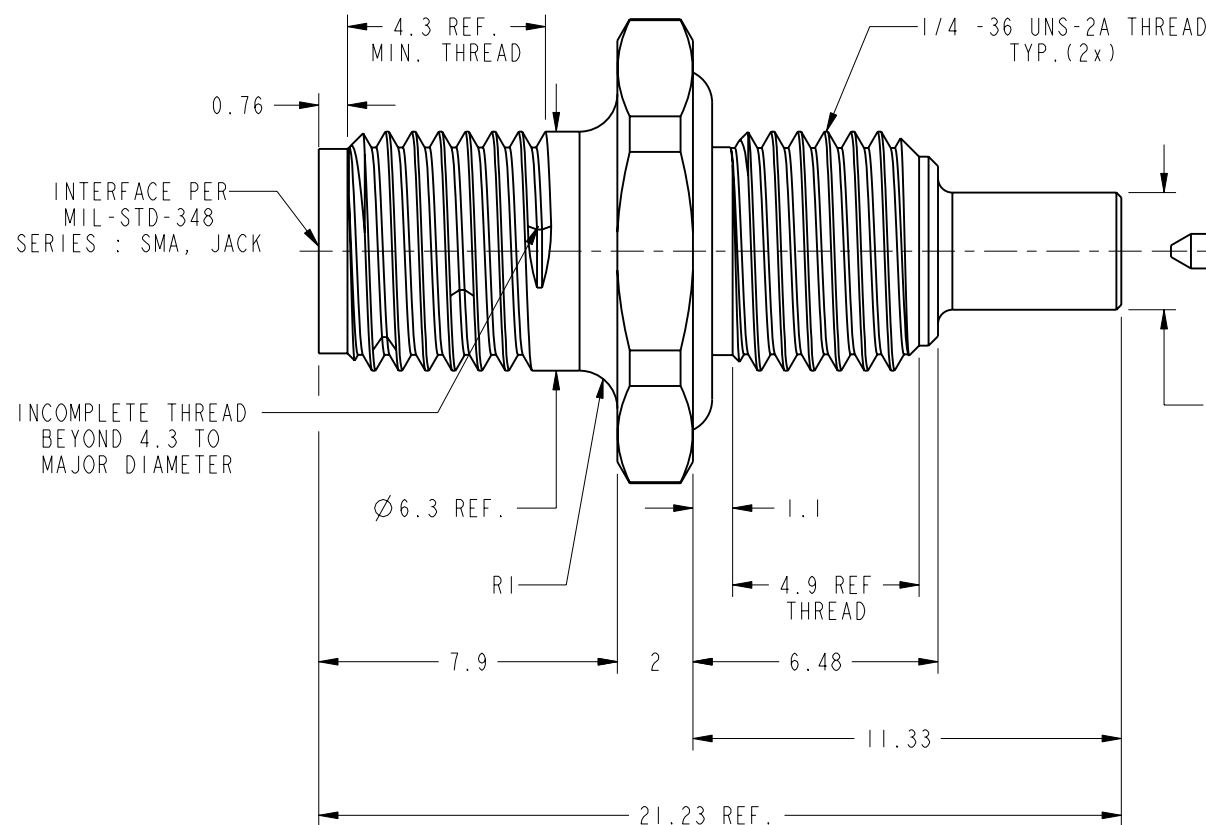
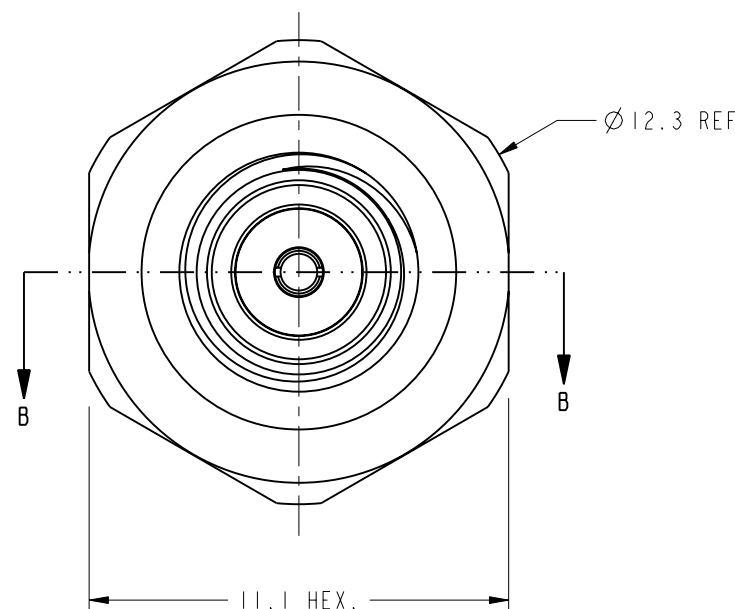
THIRD ANGLE PROJ.

REVISIONS

REV	DESCRIPTION	DATE	ECO	APPR
A	RELEASE TO MFG.	13-Mar-08	-----	SH
B	GS00ACC01 WAS 81-8162\RD-DM10092802T1	20-Oct-10	-----	DH
C	UPDATED BODY; MOD. NOTES; ADD THREAD DIMS; ADD RADIUS & 12.3 REF DIM.; ADDED VIEW\RD-DM12101801R3	24-Oct-12	48980	DH
D	INCREASED BODY WALL THICKNESS IN SECTION B-B TO MEET MIL-STD-348 SPEC\RD-DM13012801J6	11-Jan-13	49377	MJD



RECOMMENDED  
CABLE STRIPPING DIM'S  
SCALE 15.000



**CUSTOMER OUTLINE DRAWING**

ALL OTHER SHEETS ARE FOR INTERNAL USE ONLY

UNLESS OTHERWISE SPECIFIED, DIMENSIONS ARE IN METRIC AND TOLERANCES ARE: <0.5mm ±0.05mm    0.5 - 6mm ±0.1mm    6 - 30mm ±0.2mm    30 - 120mm ±0.3mm    ANGLES ±1°	MATERIAL	DRAWN J. JI	DATE 31-Jan-13	TITLE ASSEMBLY IP68 SMA JACK FOR 1.37 CABLE		Amphenol RF Danbury CT USA, Tainan, Taiwan, Shenzhen, China www.amphenolrf.com	
	REFERENCE EAR #2652 AND 615X-2386-100	ENGINEER ANIL	DATE 07-NOV-07				
NOTICE - These drawings, specifications, or other data (1) are, and remain the property of Amphenol corp. (2) must be returned upon request; and (3) are confidential and not to be disclosed to any person other than those to whom they are given by Amphenol Corp. the furnishing of these drawings, specifications, or other data by Amphenol Corp., or to any other person to anyone for any purpose is not to be regarded by implication or otherwise in any manner licensing, granting rights to permitting such holder or any other person to manufacture, use or sell any product, process or design, patented or otherwise, that may in any way be related to or disclosed by said drawings, specifications, or other data.	CONFIGURATION LEVEL:	APPROVED S. HSIEH	DATE 31-Jan-13	DWG SIZE B	REV D	ITEM NO. 901-10256	PART NO. 901-10256
	FINISH	CAD FILE					

## X-ON Electronics

Largest Supplier of Electrical and Electronic Components

*Click to view similar products for [RF Connectors / Coaxial Connectors](#) category:*

*Click to view products by [Amphenol](#) manufacturer:*

Other Similar products are found below :

[8915-1511-000](#) [89674-0827](#) [6001-7071-019](#) [6002-7051-003](#) [6002-7551-202](#) [6059674-1](#) [619550-1](#) [630059-000](#) [M39030/3-01N](#) [M3933/25-36N](#) [6500-7071-046](#) [6769](#) [CX050L2AQ](#) [7002-1542-011](#) [7004-1512-000](#) [7009-1511-004](#) [7010-1511-000](#) [7029-1511-060](#) [7101-1541-010](#) [7101-1571-002](#) [7105-1521-002](#) [7145-1521-002](#) [7203-1571-003](#) [7209-1511-011](#) [7210-1511-015](#) [7210-1511-019](#) [73137-5015](#) [73216-2241](#) [7325-1512-000](#) [73404-2300](#) [7405-1521-005](#) [7405-1521-802](#) [7406-1521-005](#) [8527](#) [8547](#) [FS11V](#) [8808-1511-001](#) [9049-9513-000](#) [9074-9513-000](#) [9101-9573-002](#) [910A205F](#) [9130-9573-002](#) [PL11SC-026](#) [PL375-33](#) [PL40-5](#) [PL71-9](#) [PL74C-221](#) [PL75MC-217](#) [PL803-7](#) [980-8666-005](#)