

NOTES:

- MATERIALS AND FINISHES:  
 BODY = BRASS, GOLD PLATING  
 CAP = BRASS, GOLD PLATING  
 FEMALE CONTACT = BeCu, GOLD PLATING  
 INSULATORS = PTFE  
 GASKET: SILICONE RUBBER

- ELECTRICAL:  
 A. IMPEDANCE: 50 OHM  
 B. FREQUENCY RANGE : DC - 3 Ghz

- MECHANICAL:  
 A. TEMPERATURE RANGE: -65° C TO +165° C  
 B. SEALING REQUIRMENTS: DESIGN WHEN MOUNTED ON PANEL MUST WITHSTAND WATER PRESSURE AT DEPTH OF 1 METER FOR 30 MIN. WITHOUT ANY SIGN OF LEAKAGE  
 C. DESIGN NOT SUITABLE FOR REFLOW

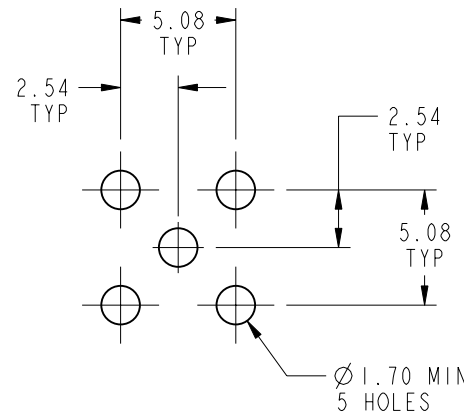
4. FLANGE WILL NOT BOTTOM ON PANEL IN ALL CONDITIONS

- PACKAGING:  
 A. QUANTITY: SINGLE PACK  
 B. MARKING: BAG TO BE MARKED  
 "AMPHENOLRF, 901-10352, AND DATE CODE"

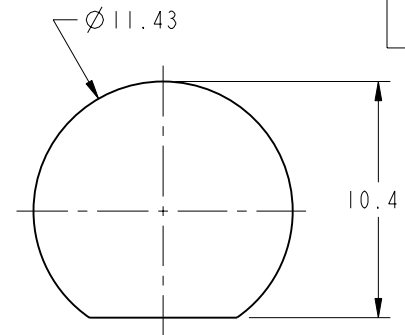
THIRD ANGLE PROJ.

REVISIONS

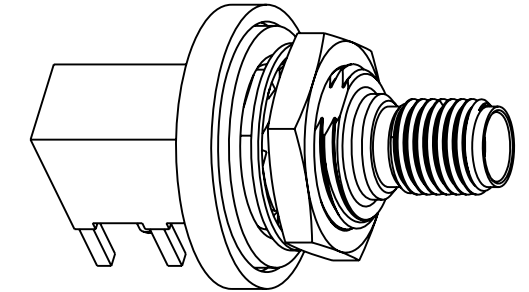
REV	DESCRIPTION	DATE	ECO	APPR
A	RELEASE TO MFG	21-Sep-11	48741	IVAN
B	ADDED CHAMFERED FEATURE & DIM Ø7.00 /RM-DM12081501S4	20-Aug-12	49125	DD



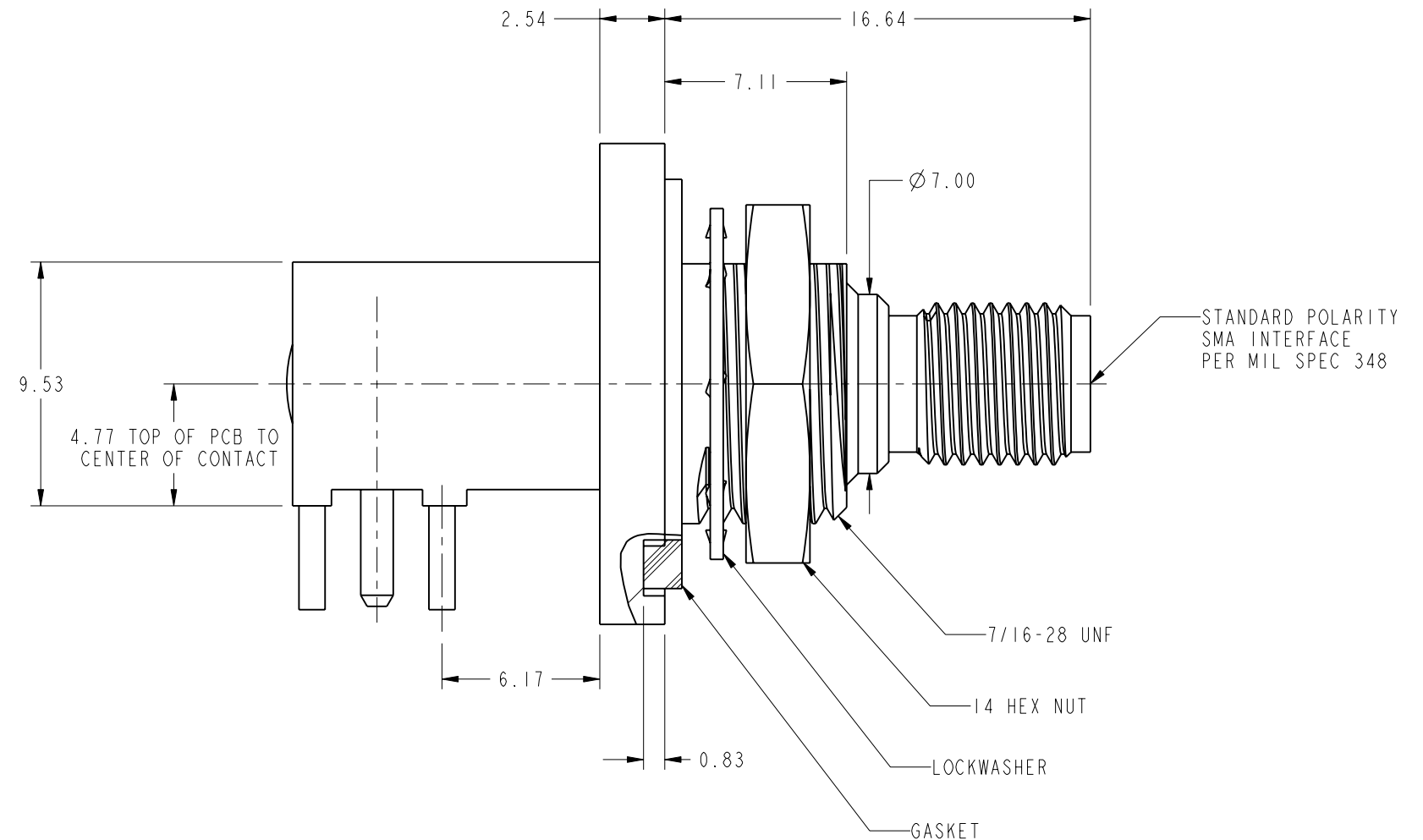
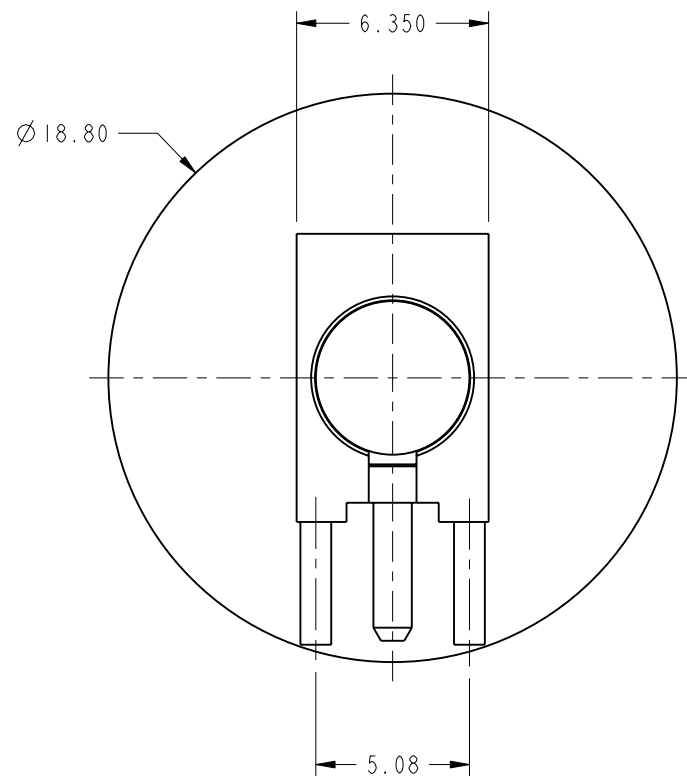
RECOMMENDED MOUNTING HOLE DIMENSIONS  
SCALE 3.000



RECOMMENDED MOUNTING PANEL DIMENSIONS



SCALE 2.000



**CUSTOMER OUTLINE DRAWING**

ALL OTHER SHEETS ARE FOR INTERNAL USE ONLY

UNLESS OTHERWISE SPECIFIED, DIMENSIONS ARE IN METRIC AND TOLERANCES ARE:
<0.5mm ± 0.05mm    0.5 - 6mm ± 0.1mm    6 - 30mm ± 0.2mm    30 - 120mm ± 0.3mm    ANGLES ± 1°

NOTICE - These drawings, specifications, or other data (1) are, and remain the property of Amphenol corp. (2) must be returned upon request; and (3) are confidential and not to be disclosed to any person other than those to whom they are given by Amphenol Corp. the furnishing of these drawings, specifications, or other data by Amphenol Corp., or to any other person to anyone for any purpose is not to be regarded by implication or otherwise in any manner licensing, granting rights to permitting such holder or any other sperson to manufacture, use or sell any product, process or design, patented or otherwise, that may in any way be related to or disclosed by said drawings, specifications, or other data.

MATERIAL SEE NOTES	DRAWN S.LI	DATE 20-Aug-12
REFERENCE EAR 4007	ENGINEER M.NAPLES	DATE 02-Sep-11
CONFIGURATION LEVEL: In Work	APPROVED S.HSIEH	DATE 20-Aug-12
FINISH	CAD FILE	

TITLE SMA JACK (IP67) R/A BULKHEAD PC MOUNT
SCALE: 6.0:1.0    SHEET 2 OF 2
DWG SIZE B
REV B

TITLE SMA JACK (IP67) R/A BULKHEAD PC MOUNT	
SCALE: 6.0:1.0	SHEET 2 OF 2
DWG SIZE B	REV B

Amphenol RF Danbury CT USA, Tainan, Taiwan, Shenzhen, China www.amphenolrf.com	
DRAWING NO. 901-10352	
ITEM NO. 901-10352	
PART NO. 901-10352	

## X-ON Electronics

Largest Supplier of Electrical and Electronic Components

*Click to view similar products for [RF Connectors / Coaxial Connectors](#) category:*

*Click to view products by [Amphenol](#) manufacturer:*

Other Similar products are found below :

[8915-1511-000](#) [89674-0827](#) [6001-7071-019](#) [6002-7051-003](#) [6002-7551-202](#) [6059674-1](#) [619550-1](#) [630059-000](#) [M39030/3-01N](#) [M3933/25-36N](#) [6500-7071-046](#) [6769](#) [CX050L2AQ](#) [7002-1542-011](#) [7004-1512-000](#) [7009-1511-004](#) [7010-1511-000](#) [7029-1511-060](#) [7101-1541-010](#) [7101-1571-002](#) [7105-1521-002](#) [7145-1521-002](#) [7203-1571-003](#) [7209-1511-011](#) [7210-1511-015](#) [7210-1511-019](#) [73137-5015](#) [73216-2241](#) [7325-1512-000](#) [73404-2300](#) [7405-1521-005](#) [7405-1521-802](#) [7406-1521-005](#) [8527](#) [8547](#) [FS11V](#) [8808-1511-001](#) [9049-9513-000](#) [9074-9513-000](#) [9101-9573-002](#) [910A205F](#) [9130-9573-002](#) [PL11SC-026](#) [PL375-33](#) [PL40-5](#) [PL71-9](#) [PL74C-221](#) [PL75MC-217](#) [PL803-7](#) [980-8666-005](#)