

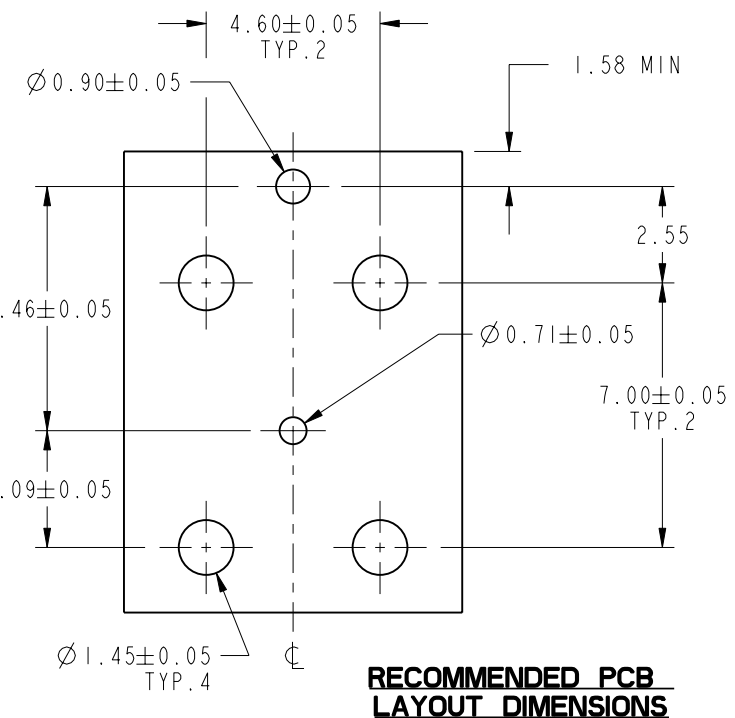
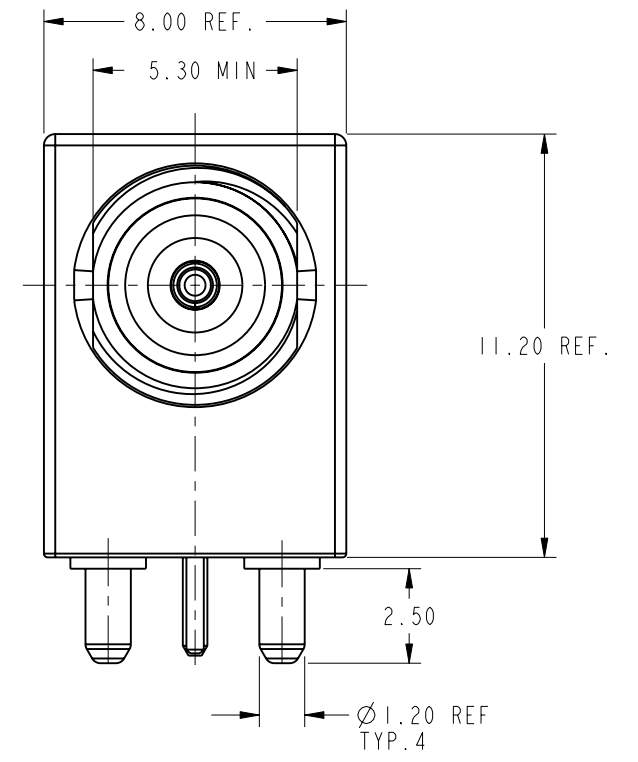
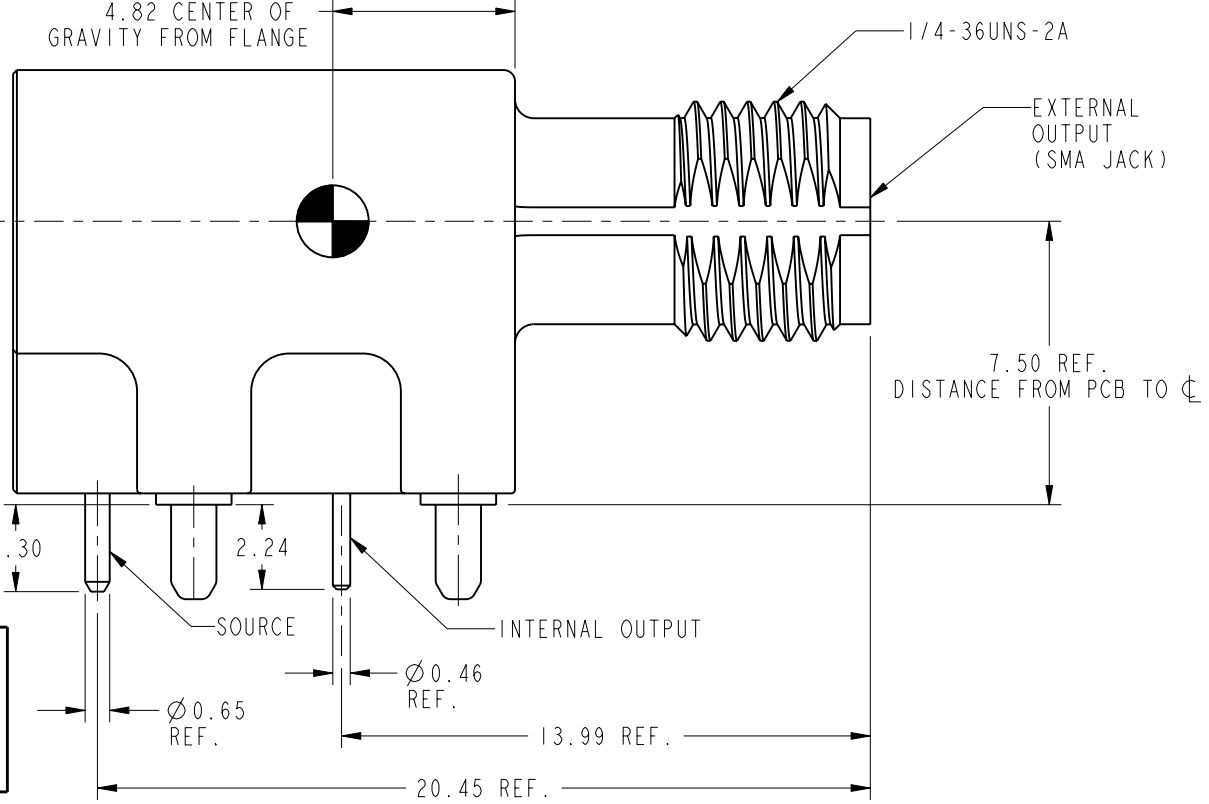
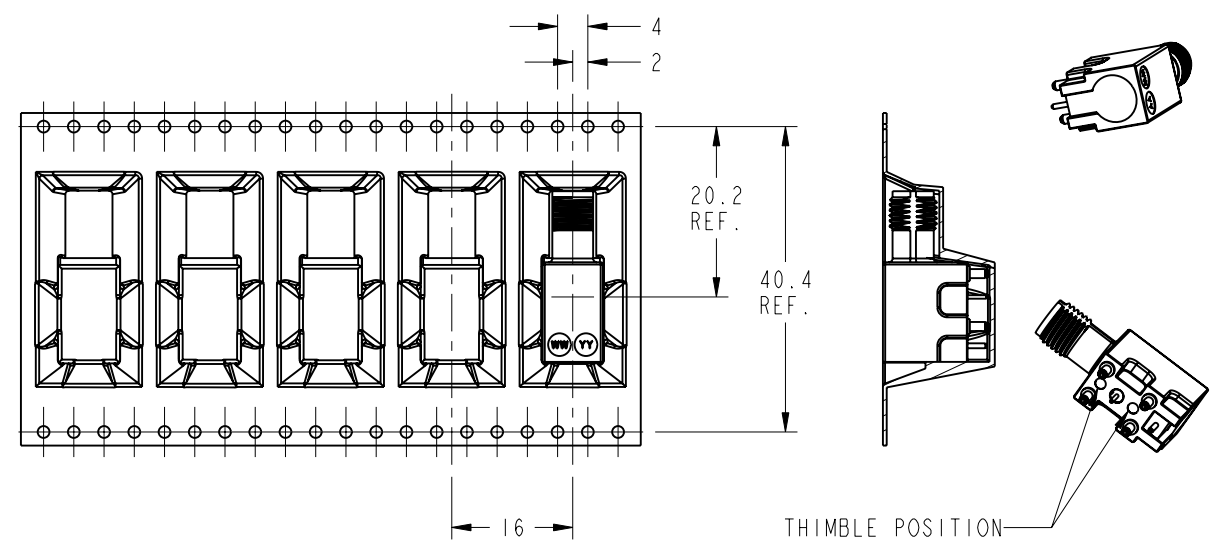
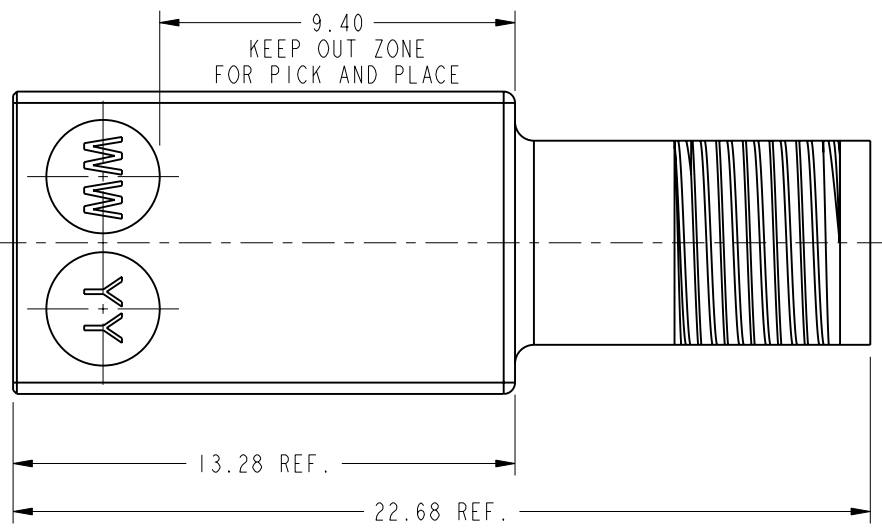
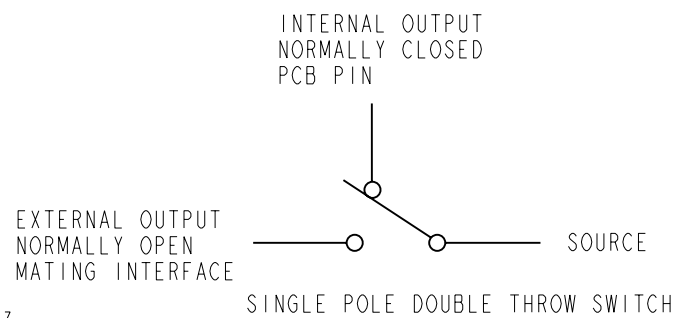
NOTES:

- MATERIALS AND FINISHES:**
 BODY - ZINC DIE CAST, TIN PLATING
 INTERFACE CONTACT - BeCu, GOLD PLATING
 INNER CONTACTS - BRASS, GOLD PLATING
 INTERFACE INSULATOR - PA 6T
 INTERNAL OUTPUT & SOURCE INSULATOR - LCP
- ELECTRICAL:**
 A. IMPEDANCE: 50 OHM
 B. FREQUENCY RANGE: DC - 2.1 GHz
 C. VSWR(RETURN LOSS): 1.4 (-15 dB), MAX @ DC - 2.1 GHz.
 D. DIELECTRIC WITHSTANDING VOLTAGE: 500 VRMS, MIN.
 E. INSERTION LOSS: 0.25 dB MAX.
 F. ISOLATION: 30 dB MIN.
- MECHANICAL:**
 A. DURABILITY: 1000 CYCLES MIN.
 B. TEMPERATURE RANGE: -65° C TO +165° C
- PACKAGING:**
 A. PACKAGE CONNECTOR IN TAPE WITH 13" REEL QTY OF 250 PCS
 B. MARK "AMPHENOL RF, 901-10416, AND DATE CODE"
 C. LEAVE 12 INCHES OF EMPTY POCKETS IN THE BEGINNING AND END EACH REEL

THIRD ANGLE PROJ.

REVISIONS

REV	DESCRIPTION	DATE	ECO	APPR
A	RELEASE TO MFG.	06-May-13	49554	S.H
B	ADD TWO THIMBLES POSITION IN THE BODY BOTTOM /RD-DMI3081501L2	16-Aug-13	49687	JTS
C	ADDED PPAP NOTES\RD-DMI3082601L2	26-Aug-13	49717	JTS



CONFIGURATION CONTROL:
 NO CHANGES PERMITTED TO DRAWING WITHOUT
 PPAP QUALIFIED CUSTOMER APPROVAL

CUSTOMER OUTLINE DRAWING
 ALL OTHER SHEETS ARE FOR INTERNAL USE ONLY

UNLESS OTHERWISE SPECIFIED, DIMENSIONS ARE IN METRIC AND TOLERANCES ARE: <0.5mm ±0.05mm 0.5 - 6mm ±0.1mm 6 - 30mm ±0.2mm 30 - 120mm ±0.3mm ANGLES ±1°	MATERIAL	DRAWN LITY	DATE	TITLE SMA PCB JACK SWITCH	Amphenol RF www.amphenolrf.com
	SEE NOTES	D. DAVE	16-Aug-13		
NOTICE - These drawings, specifications, or other data (1) are, and remain the property of Amphenol corp. (2) must be returned upon request; and (3) are confidential and not to be disclosed to any person other than those to whom they are given by Amphenol Corp. the finishing of these drawings, specifications, or other data by Amphenol Corp., or to any other person to anyone for any purpose is not to be regarded by implication or otherwise in any manner licensing, granting rights to permitting such holder or any other person to manufacture, use or sell any product, process or design, patented or otherwise, that may in any way be related to or disclosed by said drawings, specifications, or other data.	REFERENCE EAR 5463	APPROVED S.H	DATE 16-Aug-13	SCALE: 5.0:1.0	DRAWING NO. 901-10416 ITEM NO. 901-10416 PART NO. 901-10416
	CONFIGURATION LEVEL:	CAD FILE		SHEET 2 OF 2	
	FINISH	I:\Switch\901-10416			DWG SIZE B

X-ON Electronics

Largest Supplier of Electrical and Electronic Components

Click to view similar products for [RF Connectors / Coaxial Connectors](#) category:

Click to view products by [Amphenol](#) manufacturer:

Other Similar products are found below :

[8915-1511-000](#) [89674-0827](#) [6001-7071-019](#) [6002-7051-003](#) [6002-7551-202](#) [6059674-1](#) [619550-1](#) [630059-000](#) [M39030/3-01N](#) [M3933/25-36N](#) [6500-7071-046](#) [6769](#) [CX050L2AQ](#) [7002-1542-011](#) [7004-1512-000](#) [7009-1511-004](#) [7010-1511-000](#) [7029-1511-060](#) [7101-1541-010](#) [7101-1571-002](#) [7105-1521-002](#) [7145-1521-002](#) [7203-1571-003](#) [7209-1511-011](#) [7210-1511-015](#) [7210-1511-019](#) [73137-5015](#) [73216-2241](#) [7325-1512-000](#) [73404-2300](#) [7405-1521-005](#) [7405-1521-802](#) [7406-1521-005](#) [8527](#) [8547](#) [FS11V](#) [8808-1511-001](#) [9049-9513-000](#) [9074-9513-000](#) [9101-9573-002](#) [910A205F](#) [9130-9573-002](#) [PL11SC-026](#) [PL375-33](#) [PL40-5](#) [PL71-9](#) [PL74C-221](#) [PL75MC-217](#) [PL803-7](#) [980-8666-005](#)