

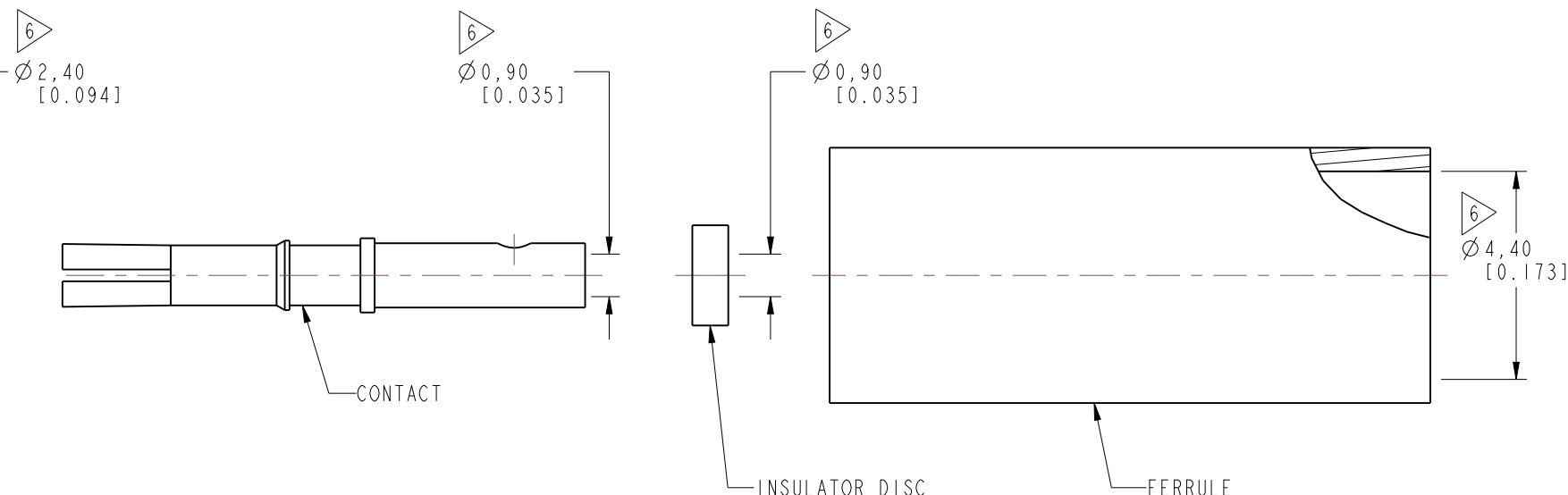
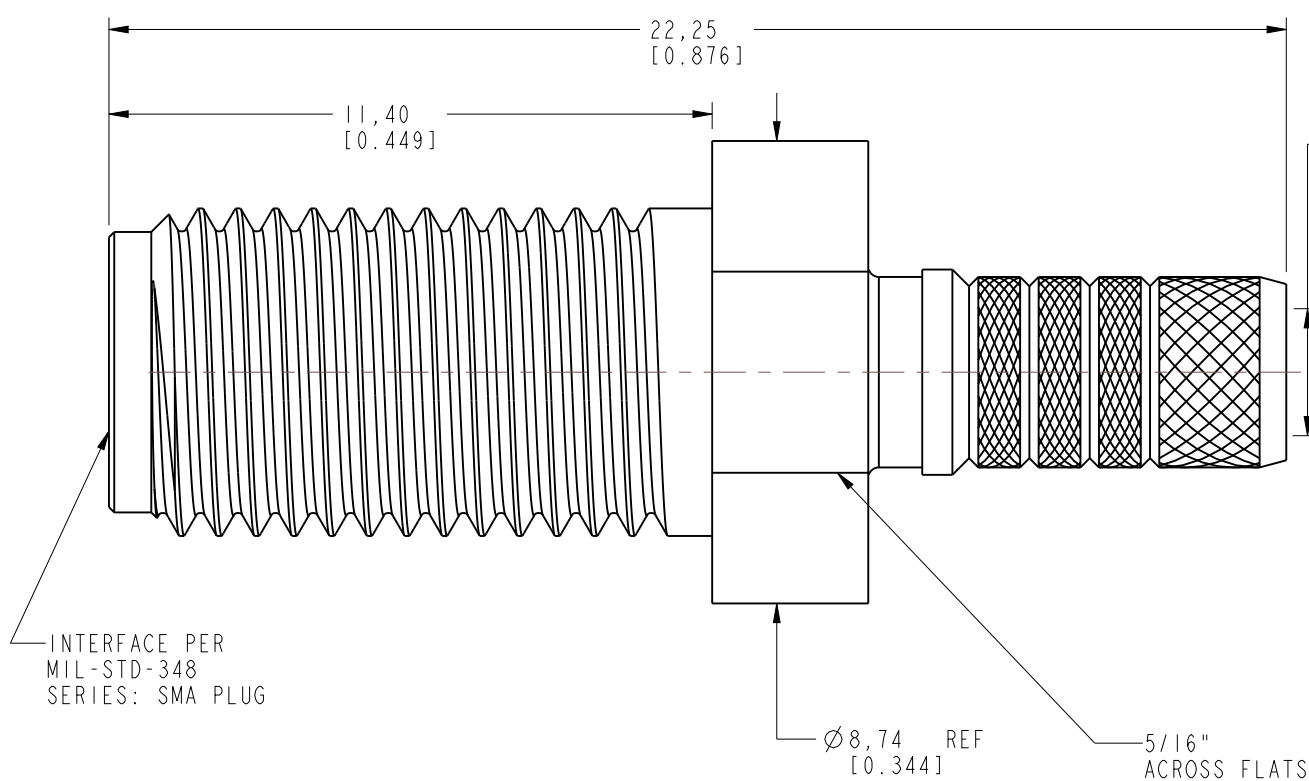
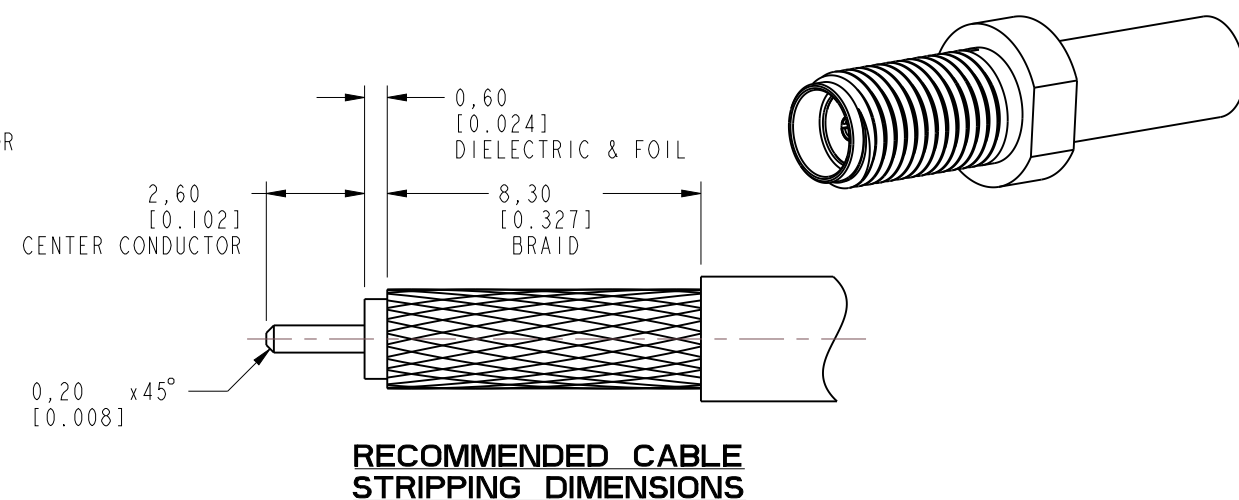
NOTES:

1. MATERIALS AND FINISHES:  
 BODY, CONTACT & COUPLING NUT - BRASS, GOLD PLATING  
 INSULATOR & INSULATOR DISC - PTFE, NATURAL  
 FERRULE - NICKEL, GOLD PLATING
2. ELECTRICAL:  
 A. IMPEDANCE: 50 OHM  
 B. FREQUENCY RANGE: DC - 20 GHz  
 C. VSWR (RETURN LOSS): 1.20 MAX. (-21 dB MIN.) @ DC - 6 GHz
3. MECHANICAL:  
 A. DURABILITY: 500 CYCLES MIN.  
 B. TEMPERATURE RANGE: -65°C TO +165°C

4. PACKAGING:  
 A. QUANTITY: SINGLE PACK  
 B. MARKING: BAG TO BE MARKED  
 "AMPHENOL RF, 901-10735 & DATE CODE"
5. CABLE ASSEMBLY INSTRUCTIONS:  
 A. TRIM CABLE AS SHOWN.  
 B. SLIDE FERRULE & INSULATOR DISC ONTO CABLE.  
 C. SOLDER CABLE CENTER CONDUCTOR TO CONTACT.  
 D. INSERT CABLE, UNTIL IT BOTTOMS, WITH FOIL ENTERING CONNECTOR  
 AND BRAID OVER KNURL.  
 E. CRIMP FERRULE OVER BRAID WITH 0.178" HEX DIE.

6 SHOWS CABLE ENTRY DIMENSIONS.

REVISIONS				
REV	DESCRIPTION	DATE	ECN	APPR
1	PROTOTYPE RELEASE	15-SEP-20	----	TFH



**PRELIMINARY ISSUE**

**CUSTOMER OUTLINE DRAWING**  
 ALL OTHER SHEETS ARE FOR INTERNAL USE ONLY

NOTICE: These drawings, specifications, or other data (1) are, and remain the property of Amphenol corp. (2) must be returned upon request; and (3) are confidential and not to be disclosed to any person other than those to whom they are given by Amphenol Corp. The furnishing of these drawings, specifications, or other data by Amphenol Corp., or to any other person to anyone for any purpose is not to be regarded by implication or otherwise in any manner licensing, granting rights to permitting such holder or any other person to manufacture, use or sell any product, process or design, patented or otherwise, that may in any way be related to or disclosed by said drawings, specifications, or other data.		UNLESS OTHERWISE SPECIFIED DIMENSIONS ARE METRIC (INCHES) AND TOLERANCES ARE: <0.5mm = ±0.05mm [ $<0.020 = \pm 0.002$ ] >0.5 - 6mm = ±0.1mm [ $>0.020 - 0.236 = \pm 0.004$ ] >6.00 - 30mm = ±0.2mm [ $>0.236 - 1.181 = \pm 0.008$ ] >30.00 - 120mm = ±0.3mm [ $>1.181 - 4.725 = \pm 0.012$ ] ANGLES = ±1°		MATERIAL SEE BOM TABLE		TITLE SMA STR PLUG FOR TFC 3.30mm CABLE		<b>Amphenol RF</b>	
THIRD ANGLE PROJ.  REFERENCE		EAR# 9772		ENGINEER T HOWLETT		DATE 15-SEP-20		SHEET NO. 2 OF 2	
SCALE: 7.0:1.0		DRAWING NO. 901-10735		ITEM NO. 901-10735		PART NO. 901-10735		REV 1	

## X-ON Electronics

Largest Supplier of Electrical and Electronic Components

*Click to view similar products for [RF Connectors](#) / [Coaxial Connectors](#) category:*

*Click to view products by [Amphenol](#) manufacturer:*

Other Similar products are found below :

[8915-1511-000](#) [89674-0827](#) [6001-7071-019](#) [6002-7051-003](#) [6059674-1](#) [619550-1](#) [630059-000](#) [M39030/3-01N](#) [6500-7071-046](#) [6769](#)  
[CX050L2AQ](#) [7002-1541-010](#) [7002-1542-011](#) [7002-1572-002](#) [7003-1542-011](#) [7004-1512-000](#) [7009-1511-004](#) [7010-1511-000](#) [7029-1511-](#)  
[060](#) [7101-1541-010](#) [7101-1571-002](#) [7145-1521-002](#) [7203-1571-003](#) [7209-1511-011](#) [7210-1511-015](#) [7210-1511-019](#) [73137-5015](#) [73216-](#)  
[2241](#) [73404-2300](#) [7405-1521-005](#) [7405-1521-802](#) [8527](#) [8547](#) [FS11V](#) [9049-9513-000](#) [9074-9513-000](#) [9101-9573-002](#) [910A205F](#) [9130-](#)  
[9573-002](#) [PL11SC-026](#) [PL375-33](#) [PL40-5](#) [PL74C-221](#) [PL75MC-217](#) [PL803-7](#) [980-8666-005](#) [1200690078](#) [1-201144-1](#) [R107003010W](#)  
[R110A172100](#)