

1. MATERIALS AND FINISHES:
 BODY - STAINLESS STEEL, GOLD PLATING
 CONTACT - BERYLLIUM COPPER, GOLD PLATING
 INSULATOR - PTFE

2. ELECTRICAL:
 A. IMPEDANCE: 50 OHM
 B. FREQUENCY RANGE: DC - 18 GHz
 C. VSWR(RETURN LOSS): 1.15 (-23 dB), MAX.
 D. DIELECTRIC WITHSTANDING VOLTAGE: 1000 VRMS, MIN.

3. MECHANICAL:
 A. DURABILITY: 500 CYCLES MIN.
 B. TEMPERATURE RANGE: -65° C TO +165° C

4. PACKAGING:
 A. QUANTITY: SINGLE PACK
 B. MARKING: PACKAGING TO BE MARKED
 "AMPHENOL RF, PART NUMBER, AND DATE CODE"

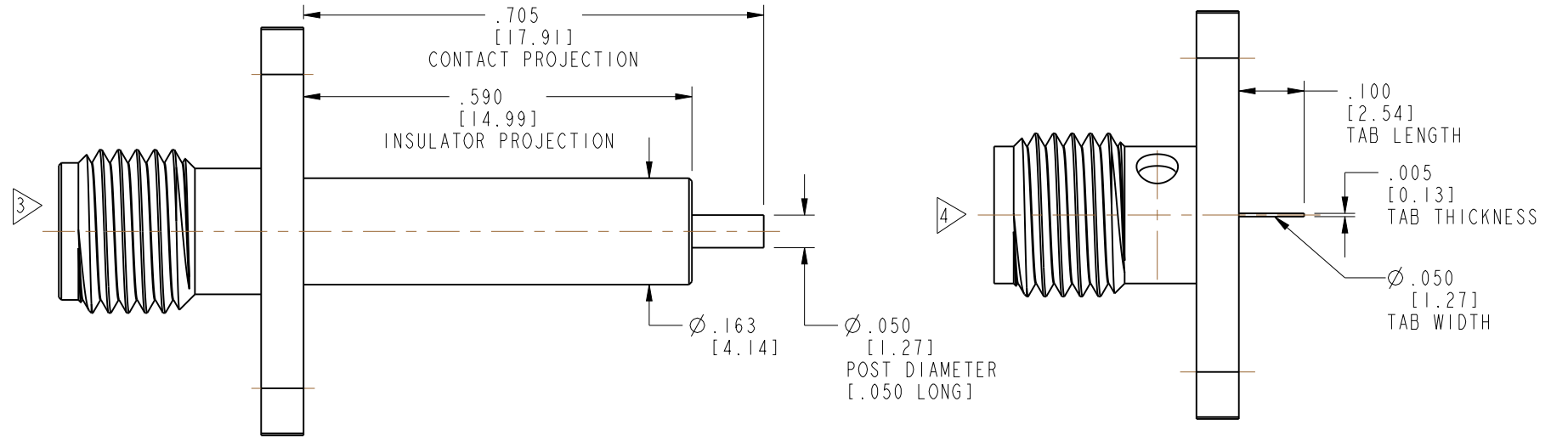
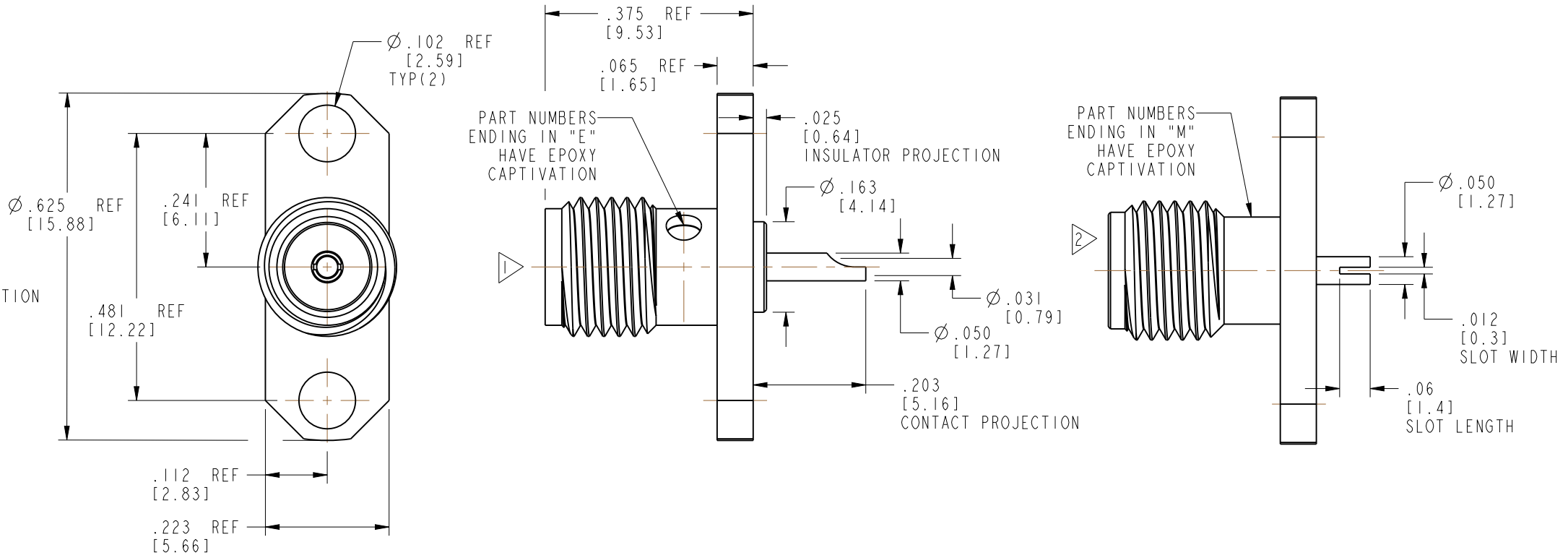
6. ORDERING INFORMATION:
 A. ADDITIONAL CANDLESTICK LENGTHS ARE AVAILABLE.
 CONTACT AMPHENOL RF MARKETING FOR QUOTE AND MORE INFORMATION
 B. CHANGE "XXX" TO DESIRED CONTACT PROJECTION AND
 "YYY" TO DESIRED INSULATOR PROJECTION LENGTH IN INCHES.
 C. COMMON EXAMPLES:

- 1 901-5GA203025AE - CONTACT PROJECTION: .203 [5.16]
 INSULATOR PROJECTION: .025 [0.65]
 CONTACT STYLE: SOLDER CUP
- 2 901-5GC070000AM - CONTACT PROJECTION: .070 [1.78]
 INSULATOR PROJECTION: .000 [0.00]
 CONTACT STYLE: .012 [0.30] SLOT
- 3 901-5GF705590AM - CONTACT PROJECTION: .705 [17.91]
 INSULATOR PROJECTION: .590 [14.97]
 CONTACT STYLE: POST
- 4 901-5GB100000AM - CONTACT PROJECTION: .100 [2.54]
 INSULATOR PROJECTION: .000 [0.00]
 CONTACT STYLE: TAB

DRAWING NO.	CAPTIVATION	TERMINATION	MAX CONTACT PROJ.	MIN CONTACT PROJ.
901-5GAXXXYYAM	MECHANICAL	SOLDER CUP	.705 [17.91]	.080 [2.03]
901-5GAXXXYYAE	EPOXY	SOLDER CUP	.705 [17.91]	.080 [2.03]
901-5GBXXYYAM	MECHANICAL	TAB	.705 [17.91]	.100 [2.54]
901-5GBXXYYAE	EPOXY	TAB	.705 [17.91]	.100 [2.54]
901-5GCXXYYAM	MECHANICAL	.012[0,30] SLOT	.705 [17.91]	.050 [1.27]
901-5GCXXYYAE	EPOXY	.012[0,30] SLOT	.705 [17.91]	.050 [1.27]
901-5GDXXYYAM	MECHANICAL	.018[0,46] SLOT	.705 [17.91]	.050 [1.27]
901-5GDXXYYAE	EPOXY	.018[0,46] SLOT	.705 [17.91]	.050 [1.27]
901-5GEXXXYYAM	MECHANICAL	.036[0,91] SLOT	.705 [17.91]	.050 [1.27]
901-5GEXXXYYAE	EPOXY	.036[0,91] SLOT	.705 [17.91]	.050 [1.27]
901-5GFXXYYAM	MECHANICAL	.050[1,27] POST	.705 [17.91]	.050 [1.27]
901-5GFXXYYAE	EPOXY	.050[1,27] POST	.705 [17.91]	.050 [1.27]
901-5GGXXYYAM	MECHANICAL	.010[0,25] POST	.705 [17.91]	.050 [1.27]
901-5GGXXYYAE	EPOXY	.010[0,25] POST	.705 [17.91]	.050 [1.27]

THIRD ANGLE PROJ.

REVISIONS				
REV	DESCRIPTION	DATE	ECO	APPR
A	RELEASE TO MANUFACTURING	21-Aug-19	12662	CJV



CUSTOMER OUTLINE DRAWING
 ALL OTHER SHEETS ARE FOR INTERNAL USE ONLY

UNLESS OTHERWISE SPECIFIED, DIMENSIONS ARE IN INCHES AND TOLERANCES ARE:
 2 PLACE DECIMAL 3 PLACE DECIMAL ANGLES
 ±.015 (0,381 mm) ±.005 (0,127 mm) ± 1°

NOTICE - These drawings, specifications, or other data (1) are, and remain the property of Amphenol corp. (2) must be returned upon request; and (3) are confidential and not to be disclosed to any person other than those to whom they are given by Amphenol Corp. the furnishing of these drawings, specifications, or other data by Amphenol Corp., or to any other person to anyone for any purpose is not to be regarded by implication or otherwise in any manner licensing, granting rights to permitting such holder or any other person to manufacture, use or sell any product, process or design, patented or otherwise, that may in any way be related to or disclosed by said drawings, specifications, or other data.

MATERIAL SEE NOTES

REFERENCE EAR: 7643 REF: 901-9244-2SF

CONFIGURATION LEVEL: In Work

FINISH

DRAWN C. VIGORITO DATE 21-Aug-19

ENGINEER B. GREENBAUM DATE 26-Oct-17

APPROVED K. CAPOZZI DATE 21-Aug-19

CAD FILE

TITLE SMA PANEL JACK STEEL BODY GOLD PLATED VARIOUS CONTACTS VARIOUS LENGTHS

SCALE: 5.0:1.0 SHEET 2 OF 2

DWG SIZE B REV A

Amphenol RF
 www.amphenolrf.com

DRAWING NO. 901-5GZXXYYAX

ITEM NO. 901-5GZXXYYAX

PART NO. 901-5GZXXYYAX

X-ON Electronics

Largest Supplier of Electrical and Electronic Components

Click to view similar products for [RF Connectors / Coaxial Connectors](#) category:

Click to view products by [Amphenol](#) manufacturer:

Other Similar products are found below :

[8915-1511-000](#) [89674-0827](#) [6001-7071-019](#) [6002-7051-003](#) [6002-7551-202](#) [6059674-1](#) [619550-1](#) [630059-000](#) [M39030/3-01N](#) [M3933/25-36N](#) [6500-7071-046](#) [6769](#) [CX050L2AQ](#) [7002-1542-011](#) [7004-1512-000](#) [7009-1511-004](#) [7010-1511-000](#) [7029-1511-060](#) [7101-1541-010](#) [7101-1571-002](#) [7105-1521-002](#) [7145-1521-002](#) [7203-1571-003](#) [7209-1511-011](#) [7210-1511-015](#) [7210-1511-019](#) [73137-5015](#) [73216-2241](#) [7325-1512-000](#) [73404-2300](#) [7405-1521-005](#) [7405-1521-802](#) [7406-1521-005](#) [8527](#) [8547](#) [FS11V](#) [8808-1511-001](#) [9049-9513-000](#) [9074-9513-000](#) [9101-9573-002](#) [910A205F](#) [9130-9573-002](#) [PL11SC-026](#) [PL375-33](#) [PL40-5](#) [PL71-9](#) [PL74C-221](#) [PL75MC-217](#) [PL803-7](#) [980-8666-005](#)