

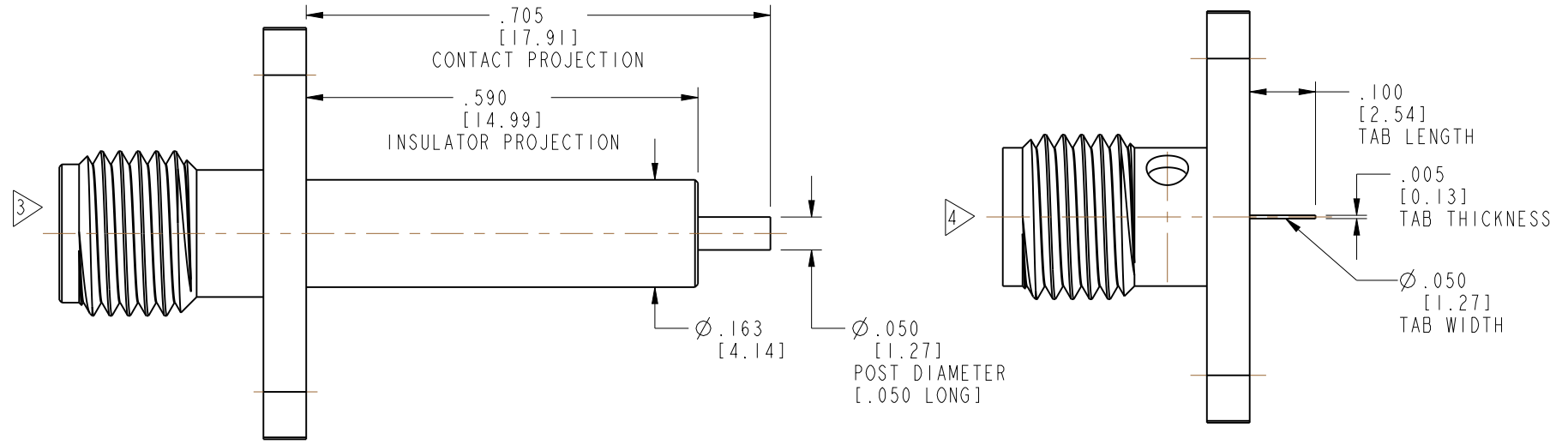
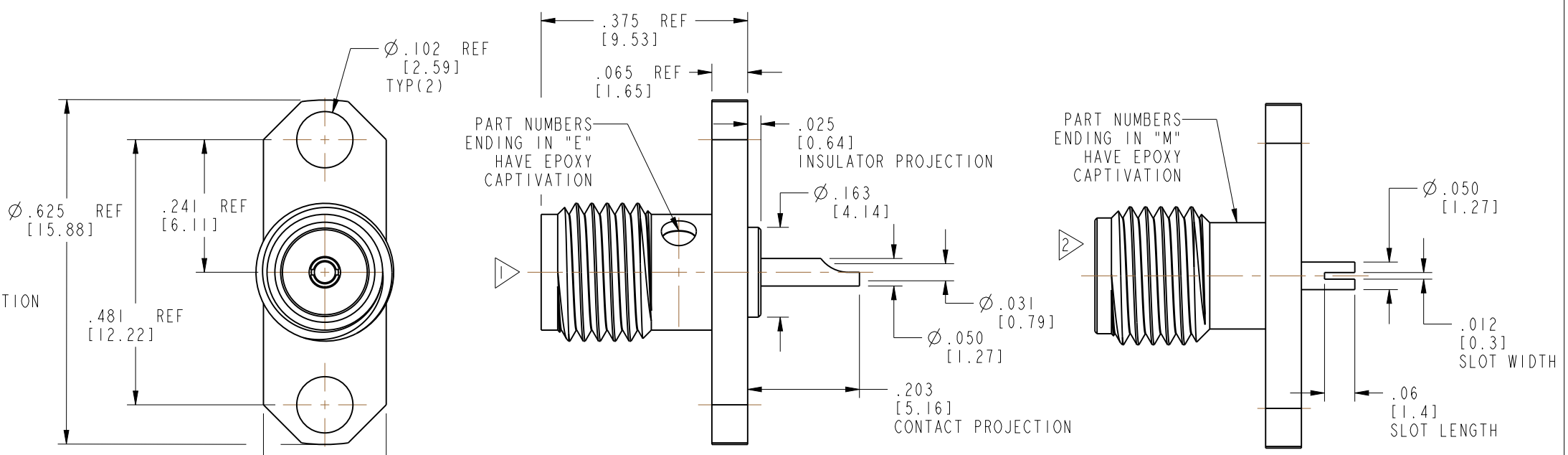
1. MATERIALS AND FINISHES:
 BODY - STAINLESS STEEL, PASSIVATED
 CONTACT - BERYLLIUM COPPER, GOLD PLATING
 INSULATOR - PTFE
2. ELECTRICAL:
 A. IMPEDANCE: 50 OHM
 B. FREQUENCY RANGE: DC - 18 GHz
 C. VSWR(RETURN LOSS): 1.15 (-23 dB), MAX.
 D. DIELECTRIC WITHSTANDING VOLTAGE: 1000 VRMS, MIN.
3. MECHANICAL:
 A. DURABILITY: 500 CYCLES MIN.
 B. TEMPERATURE RANGE: -65° C TO +165° C

4. PACKAGING:
 A. QUANTITY: SINGLE PACK
 B. MARKING: PACKAGING TO BE MARKED
 "AMPHENOL RF, PART NUMBER, AND DATE CODE"

6. ORDERING INFORMATION:
 A. ADDITIONAL CANDLESTICK LENGTHS ARE AVAILABLE.
 CONTACT AMPHENOL RF MARKETING FOR QUOTE AND MORE INFORMATION
 B. CHANGE "XXX" TO DESIRED CONTACT PROJECTION AND
 "YYY" TO DESIRED INSULATOR PROJECTION LENGTH IN INCHES.
 C. COMMON EXAMPLES:
- | | |
|---|---|
| 1 | 901-5PA203025AE - CONTACT PROJECTION: .203 [5.16]
INSULATOR PROJECTION: .025 [0.65]
CONTACT STYLE: SOLDER CUP |
| 2 | 901-5PC070000AM - CONTACT PROJECTION: .070 [1.78]
INSULATOR PROJECTION: .000 [0.00]
CONTACT STYLE: .012 [0.30] SLOT |
| 3 | 901-5PF705590AM - CONTACT PROJECTION: .705 [17.91]
INSULATOR PROJECTION: .590 [14.97]
CONTACT STYLE: POST |
| 4 | 901-5PB100000AM - CONTACT PROJECTION: .100 [2.54]
INSULATOR PROJECTION: .000 [0.00]
CONTACT STYLE: TAB |

THIRD ANGLE PROJ.

REVISIONS				
REV	DESCRIPTION	DATE	ECO	APPR
A	RELEASE TO MANUFACTURING	21-Aug-19	12662	CJV



DRAWING NO.	CAPTIVATION	TERMINATION	MAX CONTACT PROJ.	MIN CONTACT PROJ.
901-5PAXXXYYAM	MECHANICAL	SOLDER CUP	.705 [17.91]	.080 [2.03]
901-5PAXXXYYAE	EPOXY	SOLDER CUP	.705 [17.91]	.080 [2.03]
901-5PBXXYYAM	MECHANICAL	TAB	.705 [17.91]	.100 [2.54]
901-5PBXXYYAE	EPOXY	TAB	.705 [17.91]	.100 [2.54]
901-5PCXXYYAM	MECHANICAL	.012[0,30] SLOT	.705 [17.91]	.050 [1.27]
901-5PCXXYYAE	EPOXY	.012[0,30] SLOT	.705 [17.91]	.050 [1.27]
901-5PDXXYYAM	MECHANICAL	.018[0,46] SLOT	.705 [17.91]	.050 [1.27]
901-5PDXXYYAE	EPOXY	.018[0,46] SLOT	.705 [17.91]	.050 [1.27]
901-5PEXXYYAM	MECHANICAL	.036[0,91] SLOT	.705 [17.91]	.050 [1.27]
901-5PEXXYYAE	EPOXY	.036[0,91] SLOT	.705 [17.91]	.050 [1.27]
901-5PFXXYYAM	MECHANICAL	.050[1,27] POST	.705 [17.91]	.050 [1.27]
901-5PFXXYYAE	EPOXY	.050[1,27] POST	.705 [17.91]	.050 [1.27]
901-5PGXXYYAM	MECHANICAL	.010[0,25] POST	.705 [17.91]	.050 [1.27]
901-5PGXXYYAE	EPOXY	.010[0,25] POST	.705 [17.91]	.050 [1.27]

CUSTOMER OUTLINE DRAWING
 ALL OTHER SHEETS ARE FOR INTERNAL USE ONLY

UNLESS OTHERWISE SPECIFIED, DIMENSIONS ARE IN INCHES AND TOLERANCES ARE: 2 PLACE DECIMAL 3 PLACE DECIMAL ±.015 (0,381 mm) ±.005 (0,127 mm)	MATERIAL SEE NOTES	DRAWN C. VIGORITO	DATE 21-Aug-19	TITLE SMA PANEL JACK STEEL BODY PASSIVATED VARIOUS CONTACTS VARIOUS LENGTHS	Amphenol RF www.amphenolrf.com
		ENGINEER B. GREENBAUM	DATE 26-Oct-17		
NOTICE - These drawings, specifications, or other data (1) are, and remain the property of Amphenol corp. (2) must be returned upon request; and (3) are confidential and not to be disclosed to any person other than those to whom they are given by Amphenol Corp. the furnishing of these drawings, specifications, or other data by Amphenol Corp., or to any other person to anyone for any purpose is not to be regarded by implication or otherwise in any manner licensing, granting rights to permitting such holder or any other person to manufacture, use or sell any product, process or design, patented or otherwise, that may in any way be related to or disclosed by said drawings, specifications, or other data.	REFERENCE EAR: 7643 REF: 901-9244-2SF	APPROVED K. CAPOZZI	DATE 21-Aug-19	SCALE: 5.0:1.0 SHEET 2 OF 2	DRAWING NO. 901-5PZXXYYAX
	CONFIGURATION LEVEL: In Work FINISH	CAD FILE	DWG SIZE B	REV A	ITEM NO. 901-5PZXXYYAX PART NO. 901-5PZXXYYAX

X-ON Electronics

Largest Supplier of Electrical and Electronic Components

Click to view similar products for [RF Connectors / Coaxial Connectors](#) category:

Click to view products by [Amphenol](#) manufacturer:

Other Similar products are found below :

[8915-1511-000](#) [89674-0827](#) [6001-7071-019](#) [6002-7051-003](#) [6002-7551-202](#) [6059674-1](#) [619550-1](#) [630059-000](#) [M39030/3-01N](#) [M3933/25-36N](#) [6500-7071-046](#) [6769](#) [CX050L2AQ](#) [7002-1542-011](#) [7004-1512-000](#) [7009-1511-004](#) [7010-1511-000](#) [7029-1511-060](#) [7101-1541-010](#) [7101-1571-002](#) [7105-1521-002](#) [7145-1521-002](#) [7203-1571-003](#) [7209-1511-011](#) [7210-1511-015](#) [7210-1511-019](#) [73137-5015](#) [73216-2241](#) [7325-1512-000](#) [73404-2300](#) [7405-1521-005](#) [7405-1521-802](#) [7406-1521-005](#) [8527](#) [8547](#) [FS11V](#) [8808-1511-001](#) [9049-9513-000](#) [9074-9513-000](#) [9101-9573-002](#) [910A205F](#) [9130-9573-002](#) [PL11SC-026](#) [PL375-33](#) [PL40-5](#) [PL71-9](#) [PL74C-221](#) [PL75MC-217](#) [PL803-7](#) [980-8666-005](#)