

NOTES:

1. MATERIALS AND FINISHES:

- BODY - STAINLESS STEEL, GOLD PLATED (.000030" MIN) OVER NICKEL (.000100" MIN).
- COUPLING NUT - STAINLESS STEEL, PASSIVATED
- CONTACT - BRASS, GOLD PLATED (.000030" MIN) OVER NICKEL (.000080" MIN).
- INSULATOR - PTFE, NATURAL
- GASKET - SILICONE RUBBER, RED
- RETAINING RING - SUS 304, NATURAL

2. ELECTRICAL:

- A. IMPEDANCE: 50 OHM
- B. FREQUENCY RANGE: DC - 22 GHz
- C. VSWR: 1.05 + .007f (GHz), MAX.
- D. D.W.V: 1000 VRMS, MIN.

3. MECHANICAL:

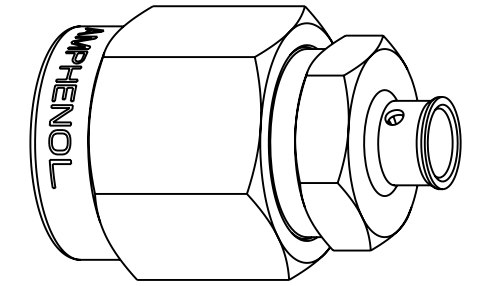
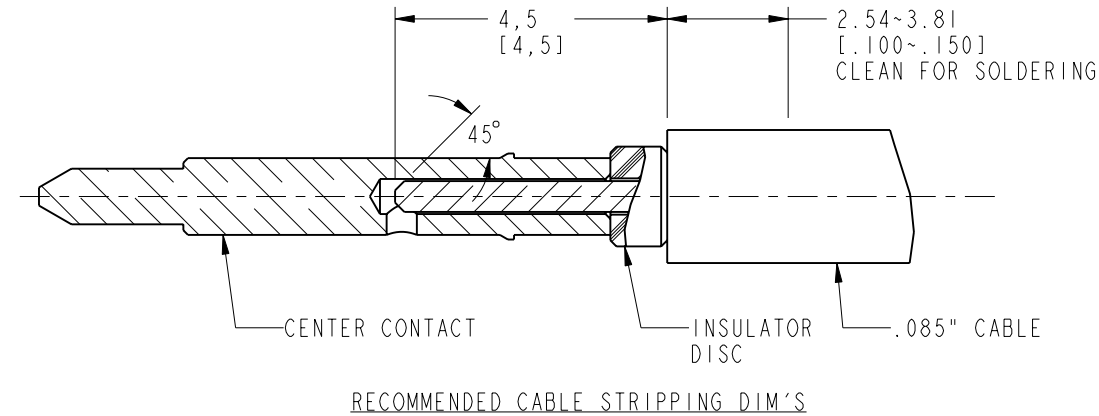
- A. DURABILITY: 500 CYCLES MIN.
- B. TEMPERATURE RANGE: -65°C TO +165°C

4. SINGLE PACK CONNECTOR IN ANTI-STATIC BAG.
MARK BAG: AMPHENOL RF, 901-9201-2ASF-T, DATE CODE

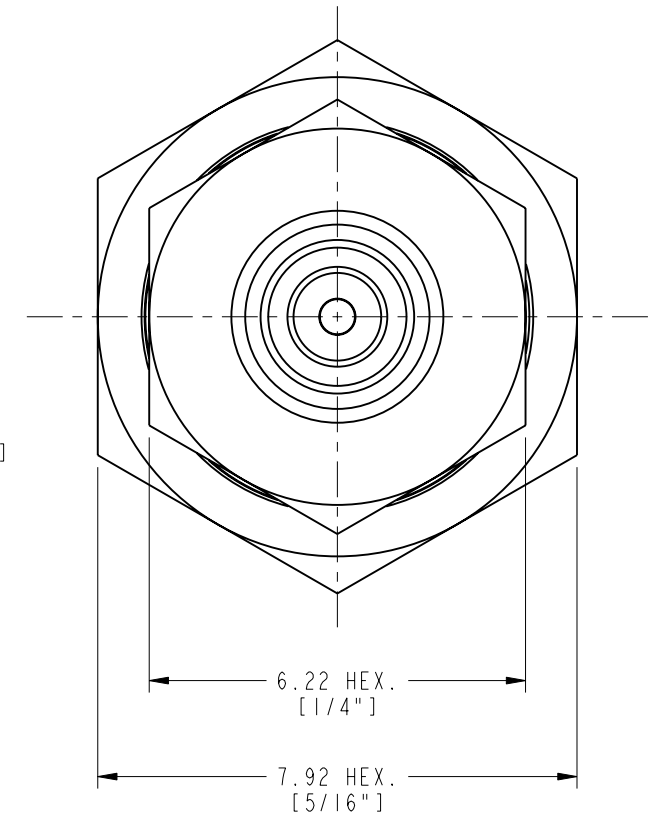
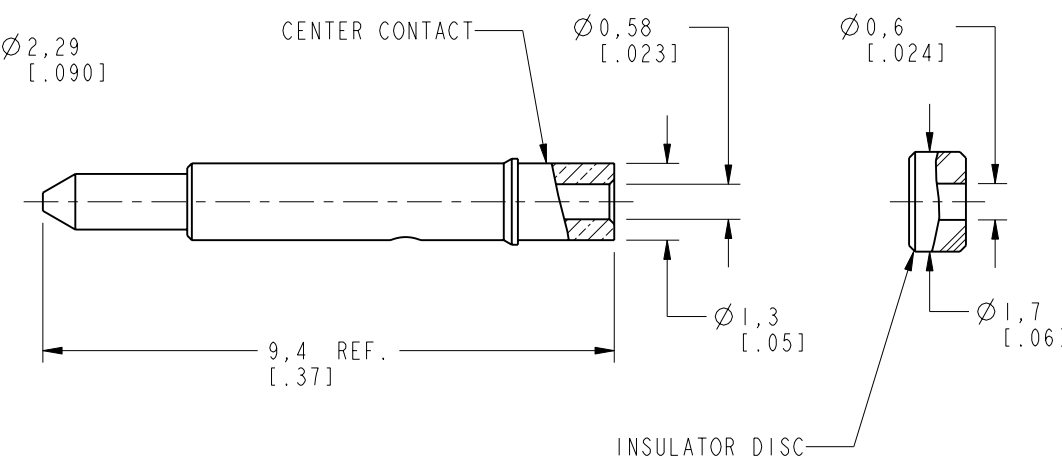
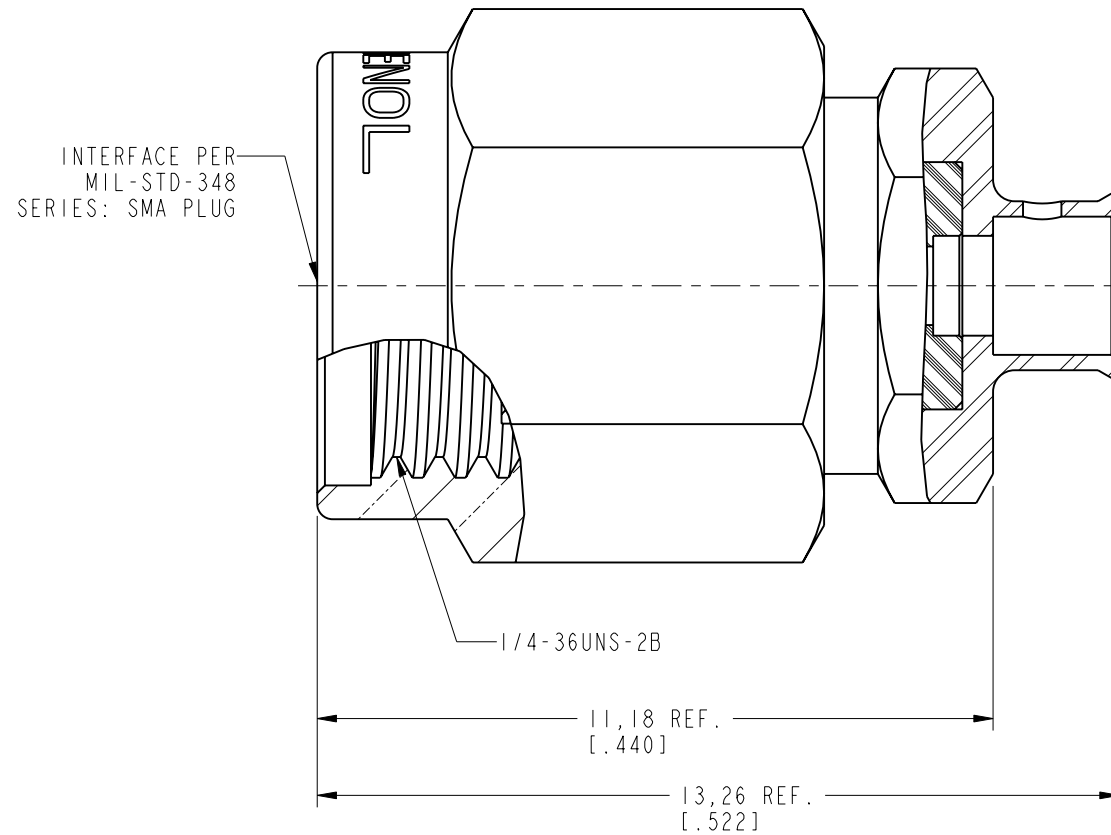
THIRD ANGLE PROJ.

REVISIONS

REV	DESCRIPTION	DATE	ECN	APPR
A	RELEASE TO MFG.	07-Nov-15	50853	BCG
B	CHANGE TO SOLDER BARREL BODY	01-Jul-19	12047	SH



SCALE 4.000



CUSTOMER OUTLINE DRAWING
ALL OTHER SHEETS ARE FOR INTERNAL USE ONLY

UNLESS OTHERWISE SPECIFIED, DIMENSIONS ARE IN METRIC AND TOLERANCES ARE: <0.5mm ±0.05mm 0.5 - 6mm ±0.1mm 6 - 30mm ±0.2mm 30 - 120mm ±0.3mm ANGLES ±1°	MATERIAL	DRAWN	DATE	TITLE SMA SOLDER PLUG, WITH ANTI-TORQUE BODY (FOR .085" CABLE)	Amphenol RF www.amphenolrf.com	
	-	M. ZHANG	01-Jul-19			
NOTICE - These drawings, specifications, or other data (1) are, and remain the property of Amphenol corp. (2) must be returned upon request; and (3) are confidential and not to be disclosed to any person other than those to whom they are given by Amphenol Corp. the furnishing of these drawings, specifications, or other data by Amphenol Corp., or to any other person to anyone for any purpose is not to be regarded by implication or otherwise in any manner licensing, granting rights to permitting such holder or any other person to manufacture, use or sell any product, process or design, patented or otherwise, that may in any way be related to or disclosed by said drawings, specifications, or other data.	REFERENCE	ENGINEER	DATE	SCALE: 8.0:1.0 SHEET 2 OF 2	DRAWING NO. 901-9201-2ASF-T	
	EAR# 6826.1	B.C. GLEISSNER	17-Jul-15		ITEM NO. 901-9201-2ASF-T	
	REF: 901-9201-2ASF	APPROVED	S.HSIEH	DATE	DWG SIZE	REV
CONFIGURATION LEVEL: In Work	FINISH		01-Jul-19	B	B	PART NO. 901-9201-2ASF-T

X-ON Electronics

Largest Supplier of Electrical and Electronic Components

Click to view similar products for [RF Connectors / Coaxial Connectors](#) category:

Click to view products by [Amphenol](#) manufacturer:

Other Similar products are found below :

[8915-1511-000](#) [89674-0827](#) [6001-7071-019](#) [6002-7051-003](#) [6002-7551-202](#) [6059674-1](#) [619550-1](#) [630059-000](#) [M39030/3-01N](#) [M3933/25-36N](#) [6500-7071-046](#) [6769](#) [CX050L2AQ](#) [7002-1542-011](#) [7004-1512-000](#) [7009-1511-004](#) [7010-1511-000](#) [7029-1511-060](#) [7101-1541-010](#) [7101-1571-002](#) [7105-1521-002](#) [7145-1521-002](#) [7203-1571-003](#) [7209-1511-011](#) [7210-1511-015](#) [7210-1511-019](#) [73137-5015](#) [73216-2241](#) [7325-1512-000](#) [73404-2300](#) [7405-1521-005](#) [7405-1521-802](#) [7406-1521-005](#) [8527](#) [8547](#) [FS11V](#) [8808-1511-001](#) [9049-9513-000](#) [9074-9513-000](#) [9101-9573-002](#) [910A205F](#) [9130-9573-002](#) [PL11SC-026](#) [PL375-33](#) [PL40-5](#) [PL71-9](#) [PL74C-221](#) [PL75MC-217](#) [PL803-7](#) [980-8666-005](#)