

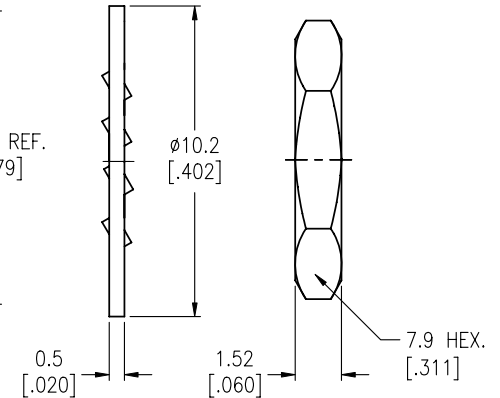
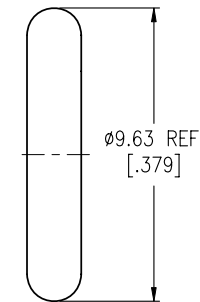
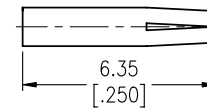
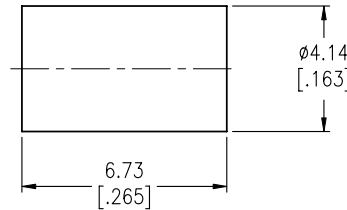
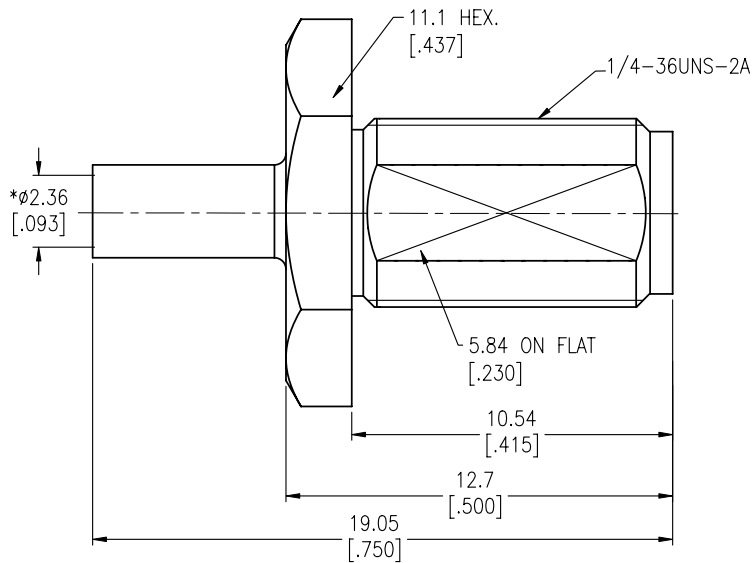
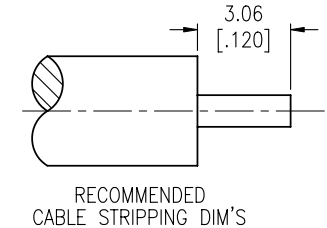
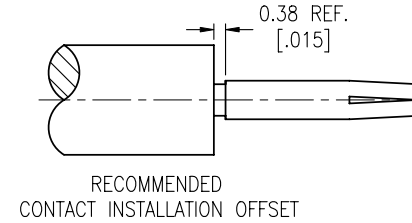
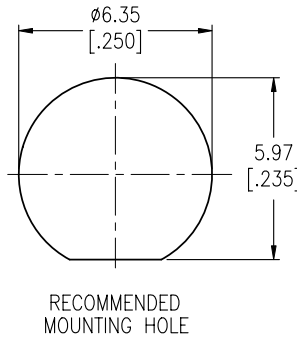
NOTES:

- MATERIALS AND FINISHES(PLATING THICKNESS IN MICRO-INCHES):
 BODY - STAINLESS STEEL, GOLD PLATING
 CONTACT PIN - BERYLLIUM COPPER, GOLD PLATING
 INSULATOR - PTFE, NATURAL
- ELECTRICAL:
 A. IMPEDANCE: 50 OHM
 B. FREQUENCY RANGE: DC 0-12.4 GHz
 C. VSWR(RETURN LOSS): 1.3 (17.692 dB), MAX.
 D. DIELECTRIC WITHSTANDING VOLTAGE: 750 VRMS, MIN.
- MECHANICAL:
 A. DURABILITY: 500 CYCLES MIN.
 B. TEMPERATURE RANGE: - 65°C to +165°C
 MAX. PANEL THICKNESS = 2.36 mm
 CONTACT PIN TO SOLDER
- ASTERISK(*) INDICATES CABLE ENTER DIM'S OF METAL PARTS ONLY.
- CUSTOMER NOTE: SOLDER BODY AND CONTACT TO CABLE
- FOR CABLE STRIPPING AND CONNECTOR ASSEMBLY INSTRUCTION SEE AMPHENOL SPEC. 349-50180

THIRD ANGLE PROJ.

REVISIONS

REV	DESCRIPTION	DATE	ECO	APPR
E	RELEASE TO MFG.	02/07/06		TONY
F	NO.1 WAS CHANGED AND NO.5,6 OF PLATING WERE CHANGED\RD-DA06061501S	06/15/06		SX
G	LOCK WASHER WAS CHANGED	09-Feb-12	48832	SH
H	ADD INCH DIMENSION;ADD NOTE 4, 5, 6 BODY WAS CHANGED/RD-DM12090301F	13-Sep-12	49138	SH



CUSTOMER OUTLINE DRAWING
 ALL OTHER SHEETS ARE FOR INTERNAL USE ONLY

UNLESS OTHERWISE SPECIFIED, DIMENSIONS ARE IN METRIC AND TOLERANCES ARE: 0.5 - 6mm ±0.1mm 6 - 30mm ±0.2mm 30 - 120mm ± 0.3mm ANGLES ±1°	MATERIAL	DRAWN F.WANG	DATE 11-Sep-12	TITLE SMA CONNECTOR SOLDER TYPE JACK BULKHEAD MOUNT FOR .085 CUJAK CABLE		Amphenol RF	
	REFERENCE	ENGINEER F.WANG	DATE 15-Jun-06			Danbury CT USA, Tainan Taiwan, Shenzhen China www.amphenolrf.com	
NOTICE - These drawings, specifications, or other data (1) are, and remain the property of Amphenol Corp. (2) must be returned upon request; and (3) are confidential and not to be disclosed to any person other than those to whom they are given by Amphenol Corp. The furnishing of these drawings, specifications, or other data by Amphenol Corp., or to any other person to anyone for any purpose is not to be regarded by implication or otherwise in any manner licensing, granting rights or permitting such holder or any other person to manufacture, use or sell any product, process or design, patented or otherwise, that may in any way be related to or disclosed by said drawings, specifications, or other data.	FINISH	APPROVED S.HSIEH	DATE 15-Jun-06	SCALE: 4/1	SHEET 2 OF 2	DRAWING NO.	901-9210-2
		CAD FILE F:\DWG\CNPD\901\9210-2-HSZ	DWG SIZE B	CODE ID 74868	REV H	ITEM NO.	901-9210-2
						PART NO.	901-9210-2

X-ON Electronics

Largest Supplier of Electrical and Electronic Components

Click to view similar products for [RF Connectors / Coaxial Connectors](#) category:

Click to view products by [Amphenol](#) manufacturer:

Other Similar products are found below :

[8915-1511-000](#) [89674-0827](#) [6001-7071-019](#) [6002-7051-003](#) [6002-7551-202](#) [6059674-1](#) [619550-1](#) [630059-000](#) [M39030/3-01N](#) [M3933/25-36N](#) [6500-7071-046](#) [6769](#) [CX050L2AQ](#) [7002-1542-011](#) [7004-1512-000](#) [7009-1511-004](#) [7010-1511-000](#) [7029-1511-060](#) [7101-1541-010](#) [7101-1571-002](#) [7105-1521-002](#) [7145-1521-002](#) [7203-1571-003](#) [7209-1511-011](#) [7210-1511-015](#) [7210-1511-019](#) [73137-5015](#) [73216-2241](#) [7325-1512-000](#) [73404-2300](#) [7405-1521-005](#) [7405-1521-802](#) [7406-1521-005](#) [8527](#) [8547](#) [FS11V](#) [8808-1511-001](#) [9049-9513-000](#) [9074-9513-000](#) [9101-9573-002](#) [910A205F](#) [9130-9573-002](#) [PL11SC-026](#) [PL375-33](#) [PL40-5](#) [PL71-9](#) [PL74C-221](#) [PL75MC-217](#) [PL803-7](#) [980-8666-005](#)