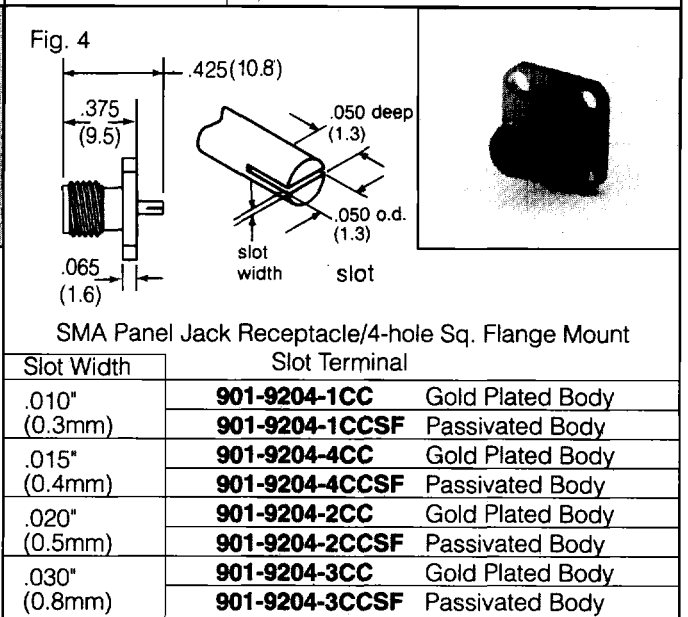
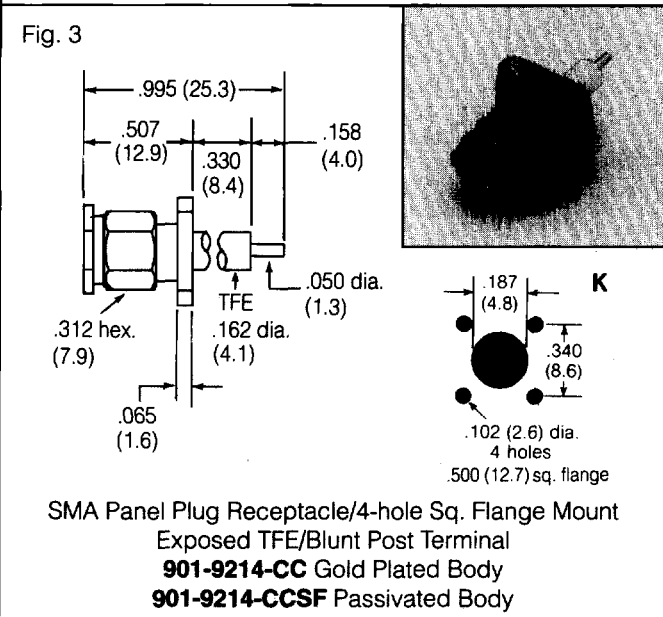
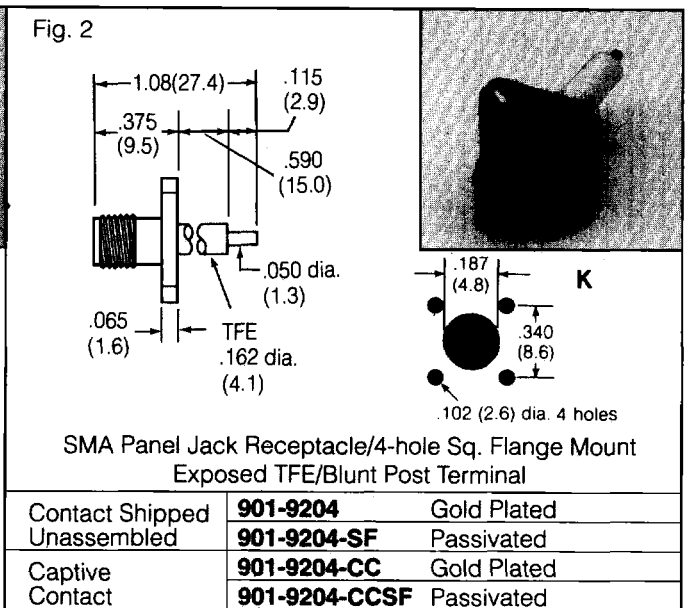
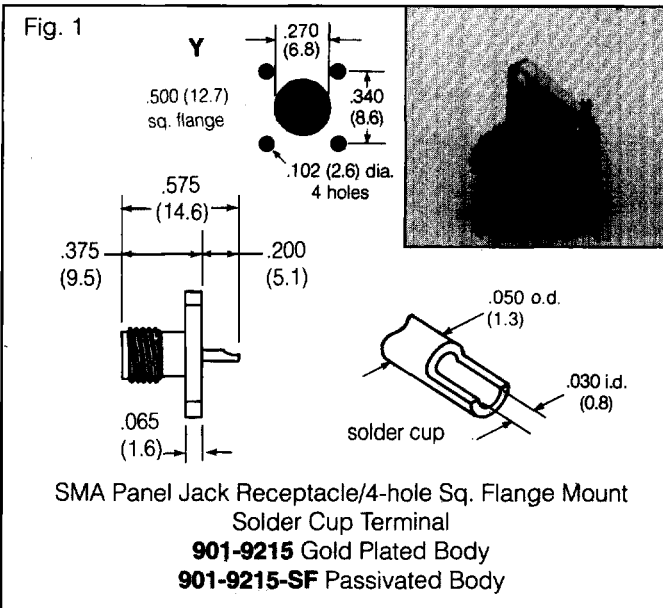


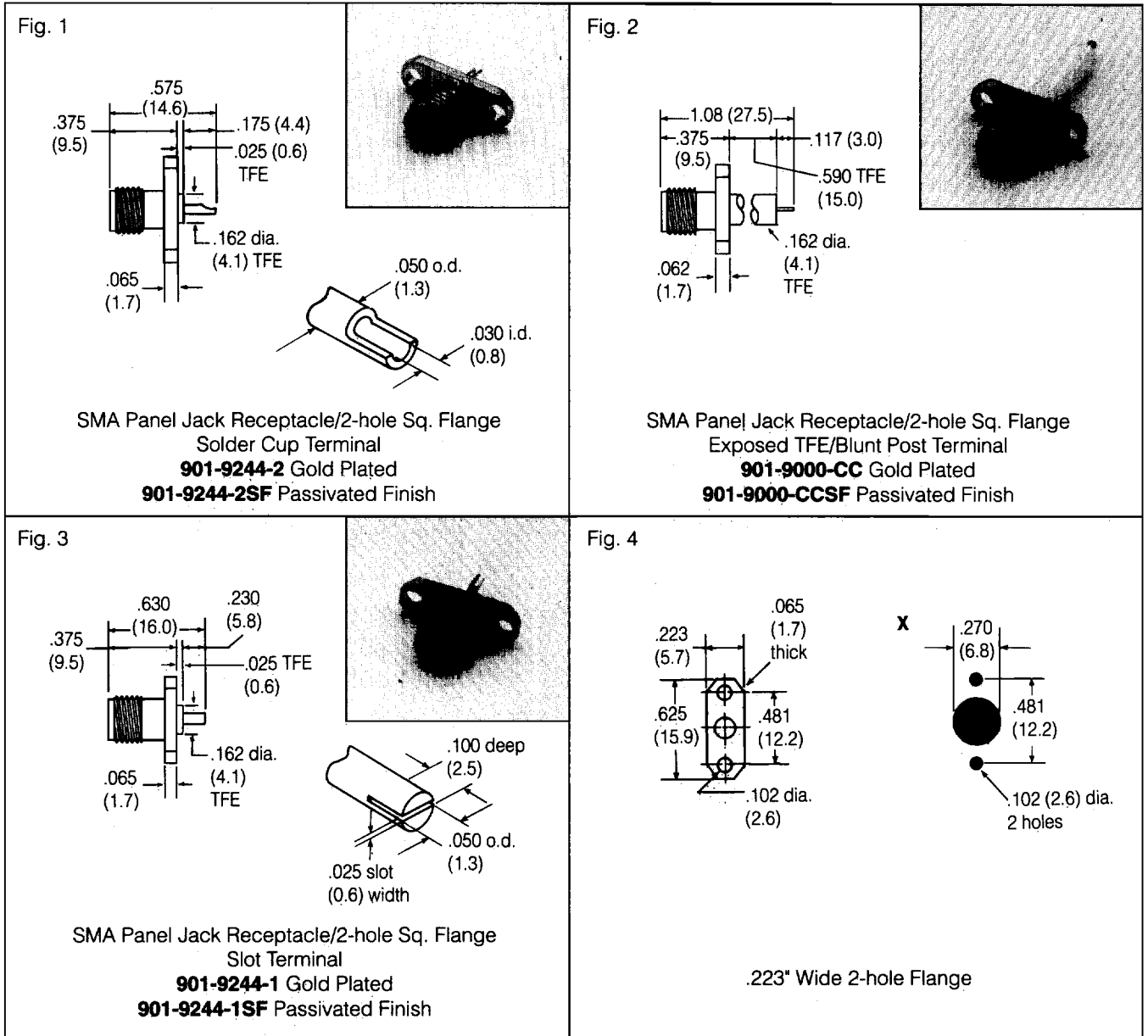
SMA panel receptacles - square 4-hole flange



SMA PANEL RECEPTACLES • 4-hole square flange mount

Description	Terminal Type	Pt.	Ins	MTG. Hole	Construction Notes	Amphenol Number	Fig.
Panel Jack Receptacle	Solder Cup	P18	D1	Y	Captive Contact	Gold Plated Body	1
		P23				Passivated Body	
Panel Jack Receptacle	Blunt Post	P18	D1	K	Contact Shipped Unassembled .590*(15.0mm) Exposed TFE	Gold Plated Body	2
		P23				Passivated Body	
Panel Jack Receptacle	Blunt Post	P17	D1	K	Captive Contact/ .590*(15.0mm) Exposed TFE	Gold Plated Body	2
						P30	
Panel Plug Receptacle	Blunt Post	P17	D1	K	Captive Contact/ .330*(8.4mm) Exposed TFE	Gold Plated Body	3
						P30	
Panel Jack Receptacle	Slot .010*(0.3mm) wide	P17	D1	K	Captive Contact	Gold Plated Body	4
						P30	
Panel Jack Receptacle	Slot .015*(0.4mm) wide	P17	D1	K	Captive Contact	Gold Plated Body	4
						P30	
Panel Jack Receptacle	Slot .020*(0.5mm) wide	P17	D1	K	Captive Contact	Gold Plated Body	4
						P30	
Panel Jack Receptacle	Slot .030*(0.8mm) wide	P17	D1	K	Captive Contact	Gold Plated Body	4
						P30	

SMA panel receptacles - trimline 2-hole flange



SMA PANEL RECEPTACLES • 2-hole square flange

Description	Terminal Type	Pit.	Ins	MTG. Hole	Construction Notes		Amphenol Number	Fig.
Panel Jack Receptacle	Solder Cup	P18	D1	X	Captive Contact/ .025" (0.6 mm) Exposed TFE	Gold Plated	901-9244-2	1
		P23				Passivated	901-9244-2SF	
Panel Jack Receptacle	Blunt Post	P18	D1	X	Captive Contact/ .590" (15.0 mm) Exposed TFE	Gold Plated	901-9000-CC	2
		P23				Passivated	901-9000-CCSF	
Panel Jack Receptacle	Slot .025" (0.6 mm) wide	P17	D1	X	Contact Shipped Unassembled/ .025" (0.6 mm) Exposed TFE	Gold Plated	901-9244-1	3
						Passivated	901-9244-1SF	

X-ON Electronics

Largest Supplier of Electrical and Electronic Components

Click to view similar products for [RF Connectors / Coaxial Connectors](#) category:

Click to view products by [Amphenol](#) manufacturer:

Other Similar products are found below :

[8915-1511-000](#) [89674-0827](#) [6001-7071-019](#) [6002-7051-003](#) [6002-7551-202](#) [6059674-1](#) [619550-1](#) [630059-000](#) [M39030/3-01N](#) [M3933/25-36N](#) [6500-7071-046](#) [6769](#) [CX050L2AQ](#) [7002-1542-011](#) [7004-1512-000](#) [7009-1511-004](#) [7010-1511-000](#) [7029-1511-060](#) [7101-1541-010](#) [7101-1571-002](#) [7105-1521-002](#) [7145-1521-002](#) [7203-1571-003](#) [7209-1511-011](#) [7210-1511-015](#) [7210-1511-019](#) [73137-5015](#) [73216-2241](#) [7325-1512-000](#) [73404-2300](#) [7405-1521-005](#) [7405-1521-802](#) [7406-1521-005](#) [8527](#) [8547](#) [FS11V](#) [8808-1511-001](#) [9049-9513-000](#) [9074-9513-000](#) [9101-9573-002](#) [910A205F](#) [9130-9573-002](#) [PL11SC-026](#) [PL375-33](#) [PL40-5](#) [PL71-9](#) [PL74C-221](#) [PL75MC-217](#) [PL803-7](#) [980-8666-005](#)