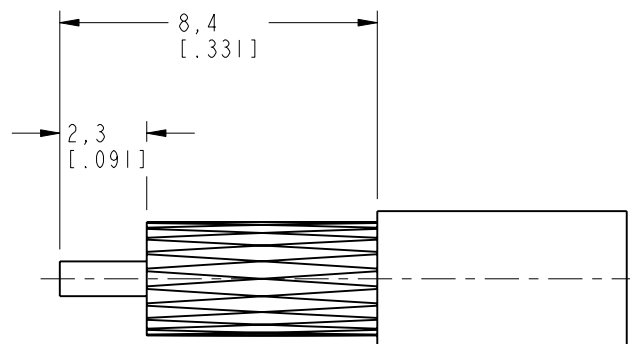


- NOTES:
- MATERIALS AND FINISHES (PLATING THICKNESS IN MICRO-INCHES):
 BODY : STAINLESS STEEL, GOLD PLATING
 CONTACT : BERYLLIUM COPPER, GOLD PLATING
 INSULATOR : PTFE, NATURAL
 - ELECTRICAL:
 A. IMPEDANCE: 50 Ohm
 B. FREQUENCY: DC TO 12 GHz.
 C. DIELECTRIC WITHSTANDING VOLTAGE: 1000 VRMS, MIN.
 - MECHANICAL:
 A. DURABILITY: 500 CYCLES MIN.
 B. TEMPERATURE RANGE: - 65 °C to +165 °C
 - CRIMP FERRULE
 HEX CRIMP SIZE .213" HEX.
 - CONTACT PIN TO SOLDER

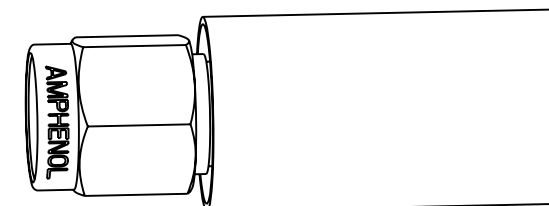
THIRD ANGLE PROJ.

REVISIONS

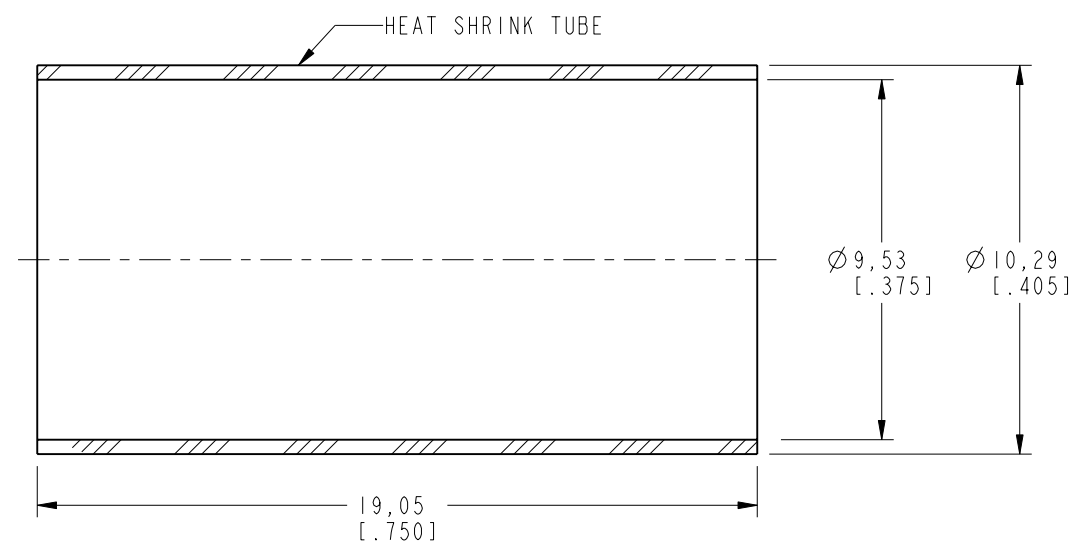
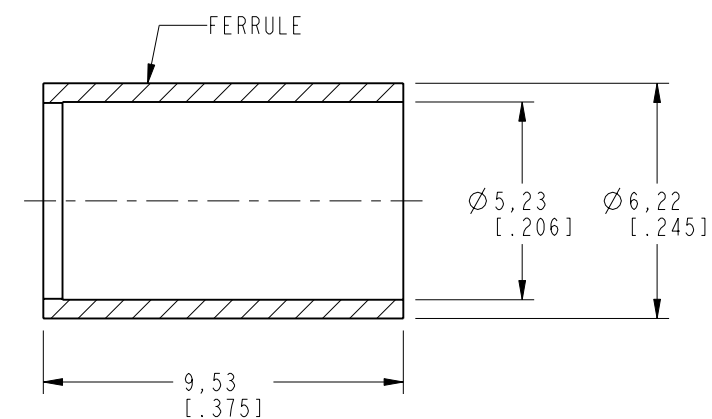
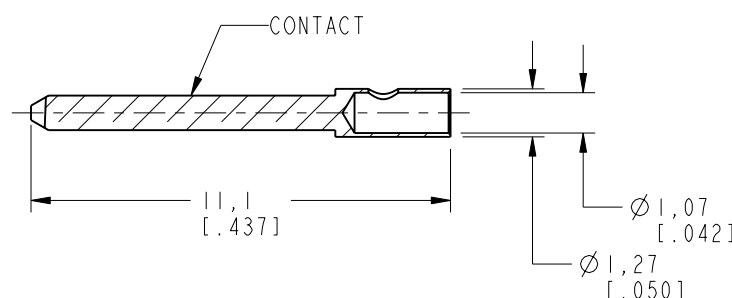
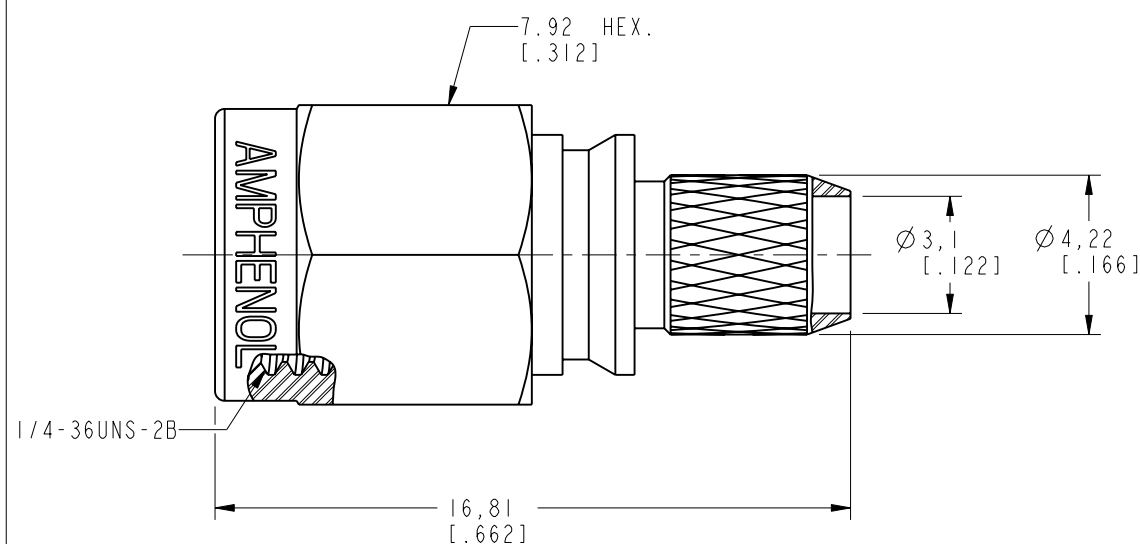
REV	DESCRIPTION	DATE	ECO	APPR
A	RELEASE TO MFG.	1/6/93	39277	FSH
B	REDRAWN; ITEM 2 WAS 31-1357-19BD; ITEM 3 WAS 901-6168-2BD; ITEM 4 WAS 901-6043-1GA; ITEM 8 WAS 901-6554-BD; ITEM 1 WAS 901-6025-2	2/27/04	44822	CPM
C	CORRECT PLACEMENT OF REF PLANE	11/15/04	45263	CPM
D	SHOW METRIC DIMENSIONS; ADD C.O.D.; RELEASE IN ARFA	05-Dec-13	49795	SH



RECOMMENDED CABLE STRIPPING DIMENSIONS



SCALE 2.500



CUSTOMER OUTLINE DRAWING

ALL OTHER SHEETS ARE FOR INTERNAL USE ONLY

UNLESS OTHERWISE SPECIFIED, DIMENSIONS ARE IN METRIC AND TOLERANCES ARE: <0.5mm ±0.05mm 0.5 - 6mm ±0.1mm 6 - 30mm ±0.2mm 30 - 120mm ±0.3mm ANGLES ±1°	MATERIAL	DRAWN Z. ZHENG	DATE 03-Dec-13	TITLE CRIMP TYPE SMA PLUG FOR RG-58, RG-141, BELDEN YR20621 CABLES	Amphenol RF www.amphenolrf.com
	NOTICE - These drawings, specifications, or other data (1) are, and remain the property of Amphenol corp. (2) must be returned upon request; and (3) are confidential and not to be disclosed to any person other than those to whom they are given by Amphenol Corp. the furnishing of these drawings, specifications, or other data by Amphenol Corp., or to any other person to anyone for any purpose is not to be regarded by implication or otherwise in any manner licensing, granting rights to permitting such holder or any other person to manufacture, use or sell any product, process or design, patented or otherwise, that may in any way be related to or disclosed by said drawings, specifications, or other data.	REFERENCE EAR 963088-0 615X-1137-100 GEN# ASSYM3-SMA	ENGINEER F.S. HULL		
FINISH	I:\SMA\901-9511-2	APPROVED R. VACCARO	DATE 12/18/92	SCALE: 5.0:1.0 SHEET 2 OF 2 DWG SIZE B REV D	

X-ON Electronics

Largest Supplier of Electrical and Electronic Components

Click to view similar products for [RF Connectors / Coaxial Connectors](#) category:

Click to view products by [Amphenol](#) manufacturer:

Other Similar products are found below :

[8915-1511-000](#) [89674-0827](#) [6001-7071-019](#) [6002-7051-003](#) [6002-7551-202](#) [6059674-1](#) [619550-1](#) [630059-000](#) [M39030/3-01N](#) [M3933/25-36N](#) [6500-7071-046](#) [6769](#) [CX050L2AQ](#) [7002-1542-011](#) [7004-1512-000](#) [7009-1511-004](#) [7010-1511-000](#) [7029-1511-060](#) [7101-1541-010](#) [7101-1571-002](#) [7105-1521-002](#) [7145-1521-002](#) [7203-1571-003](#) [7209-1511-011](#) [7210-1511-015](#) [7210-1511-019](#) [73137-5015](#) [73216-2241](#) [7325-1512-000](#) [73404-2300](#) [7405-1521-005](#) [7405-1521-802](#) [7406-1521-005](#) [8527](#) [8547](#) [FS11V](#) [8808-1511-001](#) [9049-9513-000](#) [9074-9513-000](#) [9101-9573-002](#) [910A205F](#) [9130-9573-002](#) [PL11SC-026](#) [PL375-33](#) [PL40-5](#) [PL71-9](#) [PL74C-221](#) [PL75MC-217](#) [PL803-7](#) [980-8666-005](#)