

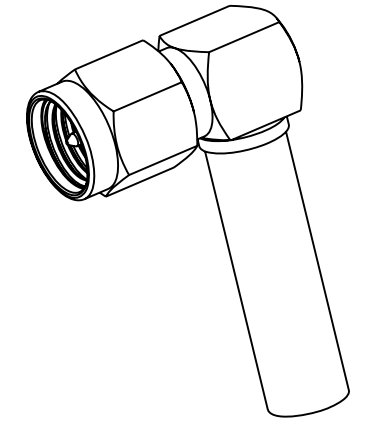
NOTES:

1. MATERIALS AND FINISHES:
 BODIES - STAINLESS STEEL, PASSIVATED
 CONTACT - BeCu, GOLD PLATING (.000050 THICK MIN)
 INSULATOR - PTFE
 FERRULE - BRASS, NICKEL PLATING (.000100 THICK MIN)
2. ELECTRICAL:
 A. IMPEDANCE: 50 OHM
 B. FREQUENCY RANGE: DC - 18 GHz
 C. VSWR(RETURN LOSS): 1.15 + .03f (GHz), MAX.
 D. DIELECTRIC WITHSTANDING VOLTAGE: 750 VRMS, MIN.
3. MECHANICAL:
 A. DURABILITY: 500 CYCLES MIN.
 B. TEMPERATURE RANGE: -65° C TO 165° C
4. PACKAGING:
 A. QUANTITY: SINGLE PACK
 B. MARKING: BAG TO BE MARKED
 "AMPHENOL, 901-9531-3SF, AND DATE CODE"
5. FOR CABLE STRIPPING AND ASSEMBLY INSTRUCTIONS
 SEE 349-50180, SHEET 6. USE CRIMP TOOL 227-944
 WITH DIE SET 227-1221-03, CAVITY 'A'
 (M22520/5-03 CLOSURE 'A') .128 HEX.
6. ASTERISK (*) INDICATES CABEL ENTRY DIMENSIONS

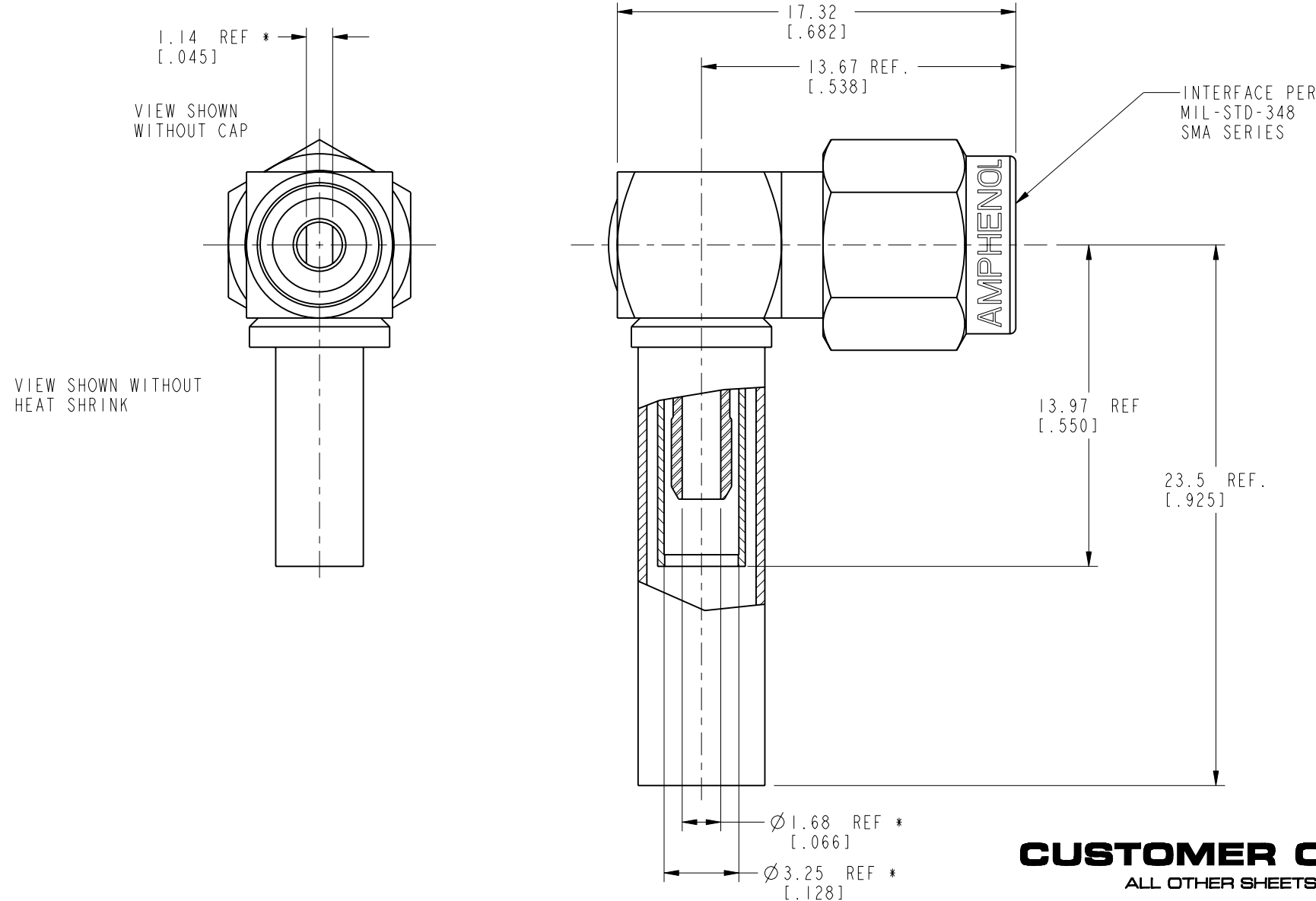
THIRD ANGLE PROJ.

REVISIONS

REV	DESCRIPTION	DATE	ECO	APPR
A	RELEASE TO MFG.	12-Sep-88	35827	PB
T	SEE SHEET I	21-Jun-02	44080	KJC
U	SEE SHEET I	07-Aug-12	49022	CPM
V	SHOW METRIC DIMENSIONS, UPDATE DRAWING	05-Dec-13	49795	SH



SCALE 2.000



CUSTOMER OUTLINE DRAWING

ALL OTHER SHEETS ARE FOR INTERNAL USE ONLY

UNLESS OTHERWISE SPECIFIED, DIMENSIONS ARE IN METRIC AND TOLERANCES ARE: <0.5mm ±0.05mm 0.5 - 6mm ±0.1mm 6 - 30mm ±0.2mm 30 - 120mm ±0.3mm ANGLES ±1°	MATERIAL	DRAWN S. DUAN	DATE 03-Dec-13	TITLE SMA PLUG RIGHT ANGLE FOR RG-316 CABLE SCALE: 4.0:1.0 SHEET 2 OF 2	Amphenol RF www.amphenolrf.com
	REFERENCE D.O.R. 313431 611X-704 GEN# ASSYMI_SMA	ENGINEER K. CAPOZZI	DATE 19-Mar-96		
NOTICE - These drawings, specifications, or other data (1) are, and remain the property of Amphenol corp. (2) must be returned upon request; and (3) are confidential and not to be disclosed to any person other than those to whom they are given by Amphenol Corp. the furnishing of these drawings, specifications, or other data by Amphenol Corp., or to any other person to anyone for any purpose is not to be regarded by implication or otherwise in any manner licensing, granting rights to permitting such holder or any other person to manufacture, use or sell any product, process or design, patented or otherwise, that may in any way be related to or disclosed by said drawings, specifications, or other data.	FINISH	APPROVED S. HSIEH	DATE 03-Dec-13	ITEM NO. 901-9531-3SF	PART NO. 901-9531-3SF
		CAD FILE	DWG SIZE B	REV V	

X-ON Electronics

Largest Supplier of Electrical and Electronic Components

Click to view similar products for [RF Connectors / Coaxial Connectors](#) category:

Click to view products by [Amphenol](#) manufacturer:

Other Similar products are found below :

[8915-1511-000](#) [89674-0827](#) [6001-7071-019](#) [6002-7051-003](#) [6002-7551-202](#) [6059674-1](#) [619550-1](#) [630059-000](#) [M39030/3-01N](#) [6500-7071-046](#) [6769](#) [CX050L2AQ](#) [7002-1542-011](#) [7004-1512-000](#) [7009-1511-004](#) [7010-1511-000](#) [7029-1511-060](#) [7101-1541-010](#) [7101-1571-002](#) [7105-1521-002](#) [7145-1521-002](#) [7203-1571-003](#) [7209-1511-011](#) [7210-1511-015](#) [7210-1511-019](#) [73137-5015](#) [73216-2241](#) [7325-1512-000](#) [73404-2300](#) [7405-1521-005](#) [7405-1521-802](#) [7406-1521-005](#) [8527](#) [8547](#) [FS11V](#) [8808-1511-001](#) [9049-9513-000](#) [9074-9513-000](#) [9101-9573-002](#) [910A205F](#) [9130-9573-002](#) [PL11SC-026](#) [PL375-33](#) [PL40-5](#) [PL71-9](#) [PL74C-221](#) [PL75MC-217](#) [PL803-7](#) [980-8666-005](#) [1200690078](#)