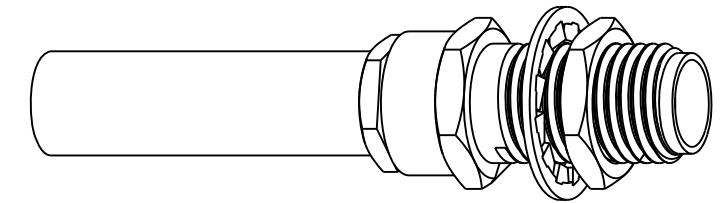


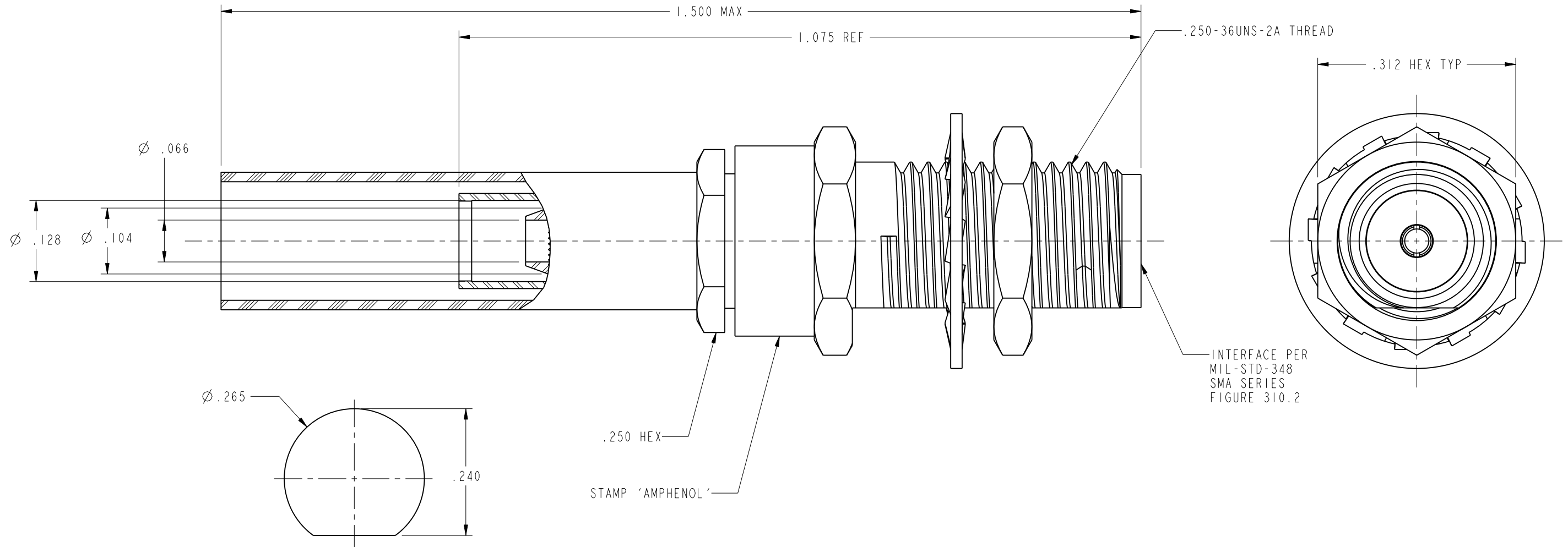
NOTES:

1. MATERIALS AND FINISHES:
 BODY, CRIMP BODY, = STAINLESS STEEL, GOLD PLATED (.000010 MIN THICK)
 LOCKWASHER, HEX NUT = STAINLESS STEEL, GOLD PLATED (.000030 MIN THICK)
 FEMALE CONTACT - BeCu, GOLD PLATING (.000050 MIN THICK)
 INSULATOR (2) - PTFE
 FERRULE = COPPER, GOLD PLATED (.000010 MIN THICK)
 HEAT SHRINK TUBING = COLOR BLACK
2. ELECTRICAL:
 A. IMPEDANCE: 50 OHM
 B. FREQUENCY RANGE: DC - 12.4 GHz
3. MECHANICAL:
 A. DURABILITY: 500 CYCLES MIN.
 B. TEMPERATURE RANGE: -65° C TO +165° C
4. PACKAGING:
 A. QUANTITY: SINGLE PACK
 B. MARKING: BAG TO BE MARKED
 "AMPHENOL, 901-9610-3, AND DATE CODE"
5. FOR ASSEMBLY INSTRUCTIONS SEE AMPHENOL SPEC. 349-50180 SHEET 35.
6. CRIMP USING TOOL 227-944. DIE SET 227-1221-03 CAVITY A (.128 HEX).

901-9610-3		REVISIONS			
DRAWING NO.	REV	DESCRIPTION	DATE	ECO	APPR
THIRD ANGLE PROJ.	--	RELEASE TO MFG.	----	----	----
	H	SEE SHEET I	5/18/04	44961	CPM
	J	CHANGED PLTE ON WASHER	12/15/10	48366	CPM



SCALE 2.500



INTERFACE PER MIL-STD-348 SMA SERIES FIGURE 310.2

RECOMMENDED MOUNTING HOLE DIMENSIONS
SCALE 5.000

CUSTOMER OUTLINE DRAWING
ALL OTHER SHEETS ARE FOR INTERNAL USE ONLY

UNLESS OTHERWISE SPECIFIED, DIMENSIONS ARE IN INCHES AND TOLERANCES ARE: 2 PLACE DECIMAL ±.015 (0,381 mm) 3 PLACE DECIMAL ±.005 (0,127 mm) ANGLES ± 1°	MATERIAL	DRAWN C. McGRATH	DATE 5/7/04	TITLE SMA BULKHEAD JACK FOR RG-316/U CABLE		Amphenol RF Danbury, CT, USA Tainan, Taiwan Shenzhen, China www.amphenolrf.com		
	REFERENCE EAR# 111-1540-949730-56 GEN# 901-9610-3	ENGINEER H. HUTTER	DATE 10/22/81					
NOTICE - These drawings, specifications, or other data (1) are, and remain the property of Amphenol Corp. (2) must be returned upon request; and (3) are confidential and not to be disclosed to any person other than those to whom they are given by Amphenol Corp. The furnishing of these drawings, specifications, or other data by Amphenol Corp., or to any other person to anyone for any purpose is not to be regarded by implication or otherwise in any manner licensing, granting rights or permitting such holder or any other person to manufacture, use or sell any product, process or design, patented or otherwise, that may in any way be related to or disclosed by said drawings, specifications, or other data.		APPROVED O. BARTHELMES	DATE 5/18/04	CODE ID 74868	DWG SIZE B	DRAWING NO. 901-9610-3	SCALE: 6.0:1	SHEET 2 OF 2
		CAD FILE I:\SMA\901-9610-3					REV J	

X-ON Electronics

Largest Supplier of Electrical and Electronic Components

Click to view similar products for [RF Connectors / Coaxial Connectors](#) category:

Click to view products by [Amphenol](#) manufacturer:

Other Similar products are found below :

[8915-1511-000](#) [89674-0827](#) [6001-7071-019](#) [6002-7051-003](#) [6002-7551-202](#) [6059674-1](#) [619550-1](#) [630059-000](#) [M39030/3-01N](#) [6500-7071-046](#) [6769](#) [CX050L2AQ](#) [7002-1542-011](#) [7004-1512-000](#) [7009-1511-004](#) [7010-1511-000](#) [7029-1511-060](#) [7101-1541-010](#) [7101-1571-002](#) [7105-1521-002](#) [7145-1521-002](#) [7203-1571-003](#) [7209-1511-011](#) [7210-1511-015](#) [7210-1511-019](#) [73137-5015](#) [73216-2241](#) [7325-1512-000](#) [73404-2300](#) [7405-1521-005](#) [7405-1521-802](#) [7406-1521-005](#) [8527](#) [8547](#) [FS11V](#) [8808-1511-001](#) [9049-9513-000](#) [9074-9513-000](#) [9101-9573-002](#) [910A205F](#) [9130-9573-002](#) [PL11SC-026](#) [PL375-33](#) [PL40-5](#) [PL71-9](#) [PL74C-221](#) [PL75MC-217](#) [PL803-7](#) [980-8666-005](#) [1200690078](#)