

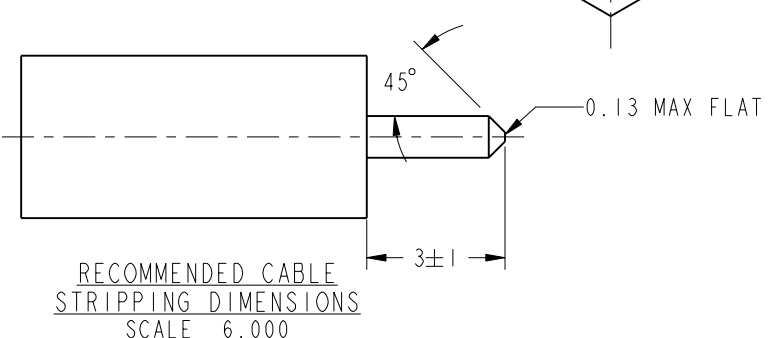
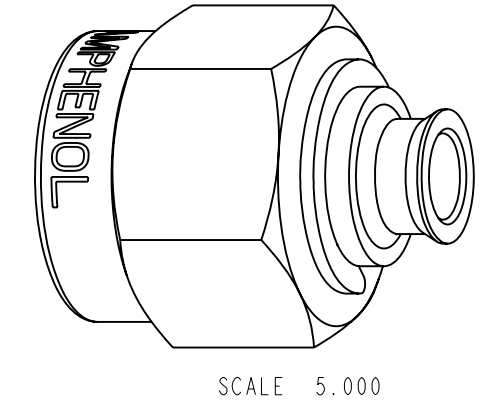
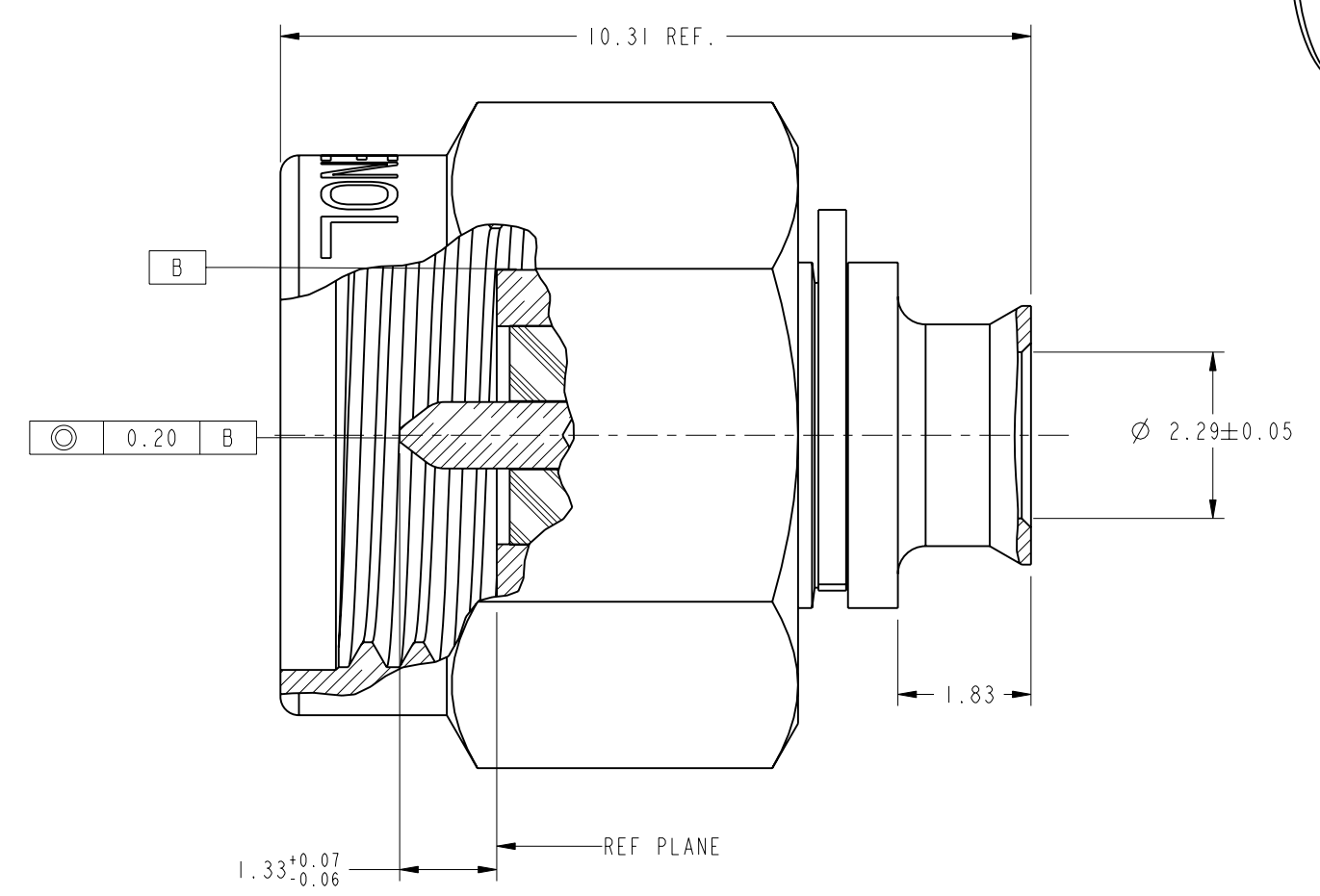
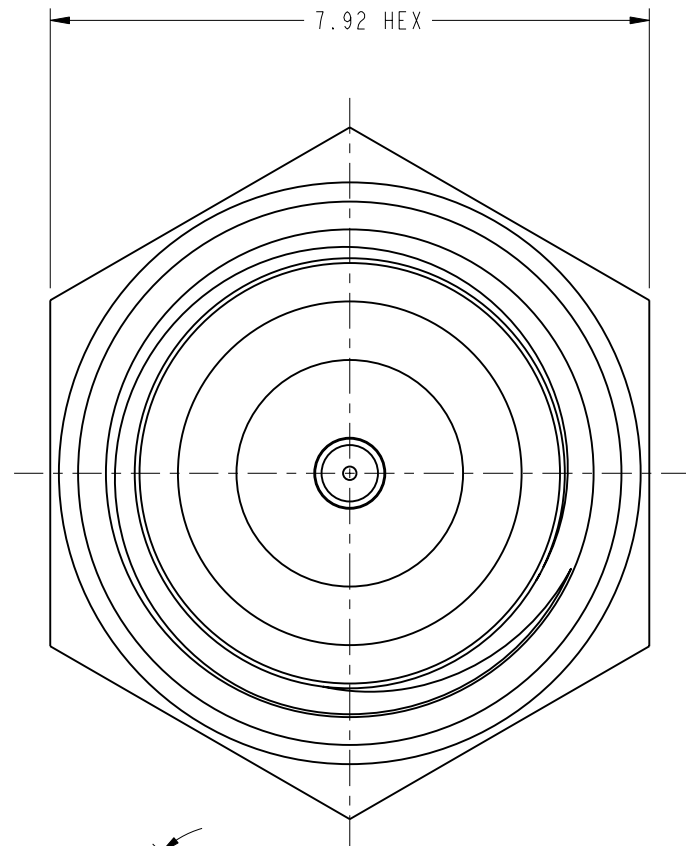
NOTES:

- MATERIALS AND FINISHES:  
 BODY, - BeCu, GOLD PLATING 30 MIN.  
 CONTACT - BeCu, GOLD PLATING 50 MIN.  
 INSULATOR - PTFE  
 COUPLING NUT - STAINLESS STEEL, PASSIVATED
- FOR ASSEMBLY INSTRUCTIONS SEE AMPHENOL SPEC. 349-50114, SHEET 21.
- VSWR: 1.29 MAX FROM DC TO 26.5 GHz.
- SOCKET CHARACTERISTICS: USING STEEL TEST PINS WITH A 16 MICROINCH FINISH CHAMFERED 45°  
 INSERTION FORCE: 3 LBS MAX WITH A 0.53 +0.005/-0 DIA PIN  
 WITHDRAWAL FORCE: 1 OZ MIN WITH A 0.48 +0/-0.005 DIA PIN

THIRD ANGLE PROJ.

REVISIONS

REV	DESCRIPTION	DATE	ECO	APPR
U	RELEASE TO MFG.	18-Jan-11		LQ



**CUSTOMER OUTLINE DRAWING**  
ALL OTHER SHEETS ARE FOR INTERNAL USE ONLY

UNLESS OTHERWISE SPECIFIED, DIMENSIONS ARE IN METRIC AND TOLERANCES ARE: 0.5 - 6mm ±0.1mm    6 - 30mm ±0.2mm    30 - 120mm ± 0.3mm    ANGLES ±1° NOTICE - These drawings, specifications, or other data (1) are, and remain the property of Amphenol corp. (2) must be returned upon request; and (3) are confidential and not to be disclosed to any person other than those to whom they are given by Amphenol Corp. the finishing of these drawings, specifications, or other data by Amphenol Corp., or to any other person to anyone for any purpose is not to be regarded by implication or otherwise in any manner licensing, granting rights to permitting such holder or any other person to manufacture, use or sell any product, process or design, patented or otherwise, that may in any way be related to or disclosed by said drawings, specifications, or other data.	MATERIAL	DRAWN L.QIN	DATE 18-Jan-11	TITLE SMA PLUG SOLDER TYPE .086 SEMI-RIGID			Amphenol RF Danbury CT USA, Tainan, Taiwan, Shenzhen, China www.amphenolrf.com	
	REFERENCE PURCHASE FROM DANBURY	ENGINEER E.ZHU	DATE 18-Jan-11					
	FINISH	APPROVED S.HSIEH	DATE 18-Jan-11	SCALE: 10.0:1.0 SHEET 1 OF 1			ITEM NO. 901-9723	
		CAD FILE I:\SMA\901-9723	DWG SIZE B	CODE ID 74868	REV U	PART NO. 901-9723		

## X-ON Electronics

Largest Supplier of Electrical and Electronic Components

*Click to view similar products for [RF Connectors / Coaxial Connectors](#) category:*

*Click to view products by [Amphenol](#) manufacturer:*

Other Similar products are found below :

[8915-1511-000](#) [89674-0827](#) [6001-7071-019](#) [6002-7051-003](#) [6002-7551-202](#) [6059674-1](#) [619550-1](#) [630059-000](#) [M39030/3-01N](#) [M3933/25-36N](#) [6500-7071-046](#) [6769](#) [CX050L2AQ](#) [7002-1542-011](#) [7004-1512-000](#) [7009-1511-004](#) [7010-1511-000](#) [7029-1511-060](#) [7101-1541-010](#) [7101-1571-002](#) [7105-1521-002](#) [7145-1521-002](#) [7203-1571-003](#) [7209-1511-011](#) [7210-1511-015](#) [7210-1511-019](#) [73137-5015](#) [73216-2241](#) [7325-1512-000](#) [73404-2300](#) [7405-1521-005](#) [7405-1521-802](#) [7406-1521-005](#) [8527](#) [8547](#) [FS11V](#) [8808-1511-001](#) [9049-9513-000](#) [9074-9513-000](#) [9101-9573-002](#) [910A205F](#) [9130-9573-002](#) [PL11SC-026](#) [PL375-33](#) [PL40-5](#) [PL71-9](#) [PL74C-221](#) [PL75MC-217](#) [PL803-7](#) [980-8666-005](#)