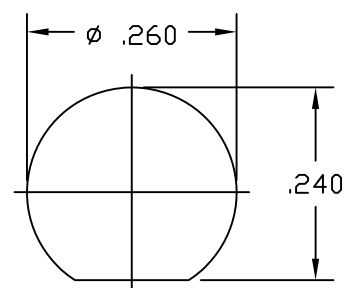
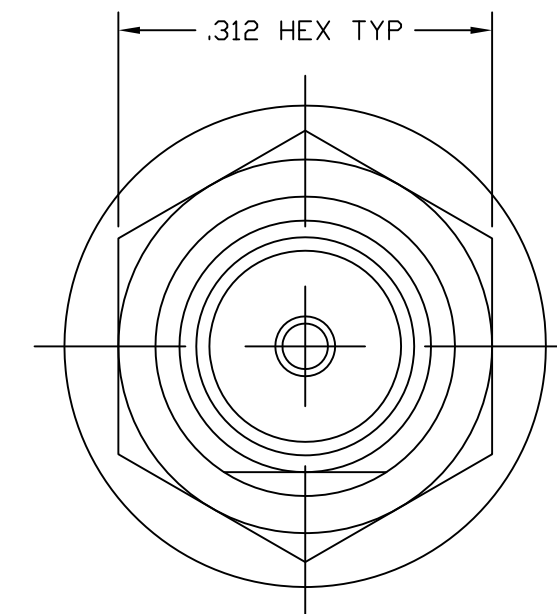
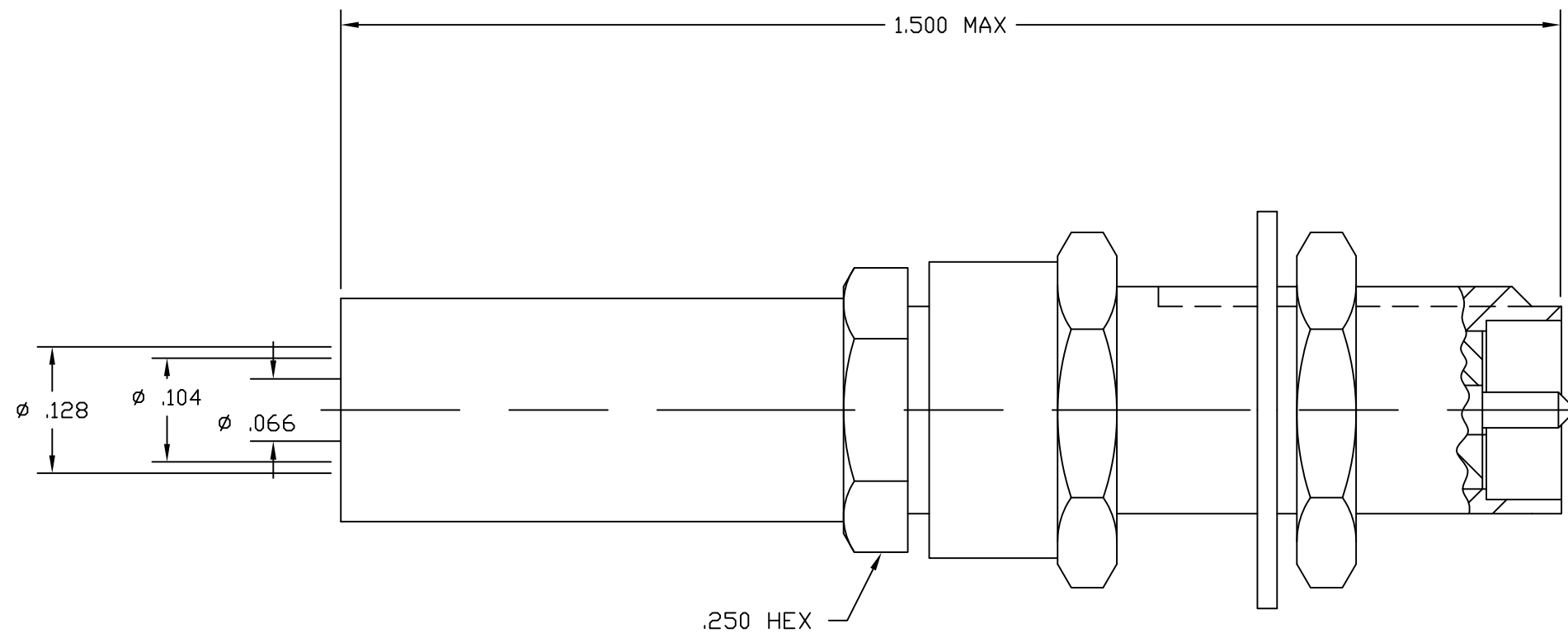


NOTES:

- DO NOT SCALE THIS DRAWING.
- REMOVE ALL BURRS, BREAK SHARP EDGES AND CORNERS .005 MAXIMUM, UNLESS OTHERWISE SPECIFIED.
- UNLESS OTHERWISE SPECIFIED, ALL DIMENSIONS ARE AFTER PLATING.
- PLATING MUST CONFORM TO AMPHENOL SPEC 349-50560. CONNECTOR IS GOLD PLATED. (REF)
- FOR ASSEMBLY INSTRUCTIONS SEE AMPHENOL SPEC 349-50180, SHEET 35.
- CRIMP USING TOOL 227-944, DIE SET 227-1221-03 CAVITY "A" (.128 HEX).

901-9863		REVISIONS			
DRAWING NO.	REV	DESCRIPTION	DATE	ECO	APPR
THIRD ANGLE PROJ.	--	RELEASE TO MFG.	--	--	--
	B	CHANGED PLTE ON WASHER & ADDED SHEET 2	12/14/10	48366	CPM/



RECOMMEND MOUNTING HOLE DIMENSIONS

CUSTOMER OUTLINE DRAWING  
ALL OTHER SHEETS ARE FOR INTERNAL USE ONLY

UNLESS OTHERWISE SPECIFIED, DIMENSIONS ARE IN INCHES AND TOLERANCES ARE:  
2 PLACE DECIMAL 3 PLACE DECIMAL ANGLES  
±.015 (0,381 mm) ±.005 (0,127 mm) ± 1°

NOTICE - These drawings, specifications, or other data (1) are, and remain the property of Amphenol Corp. (2) must be returned upon request; and (3) are confidential and not to be disclosed to any person other than those to whom they are given by Amphenol Corp. The furnishing of these drawings, specifications, or other data by Amphenol Corp., or to any other person to anyone for any purpose is not to be regarded by implication or otherwise in any manner licensing, granting rights or permitting such holder or any other person to manufacture, use or sell any product, process or design, patented or otherwise, that may in any way be related to or disclosed by said drawings, specifications, or other data.

MATERIAL	DRAWN	DATE	TITLE
	C. McGRATH	11-29-10	POLARIZED SMA BULKHEAD JACK
	ENGINEER	DATE	
	K. CAPOZZI	11-29-10	
REFERENCE	APPROVED	DATE	
EAR 964132-1			
	CAD FILE	CODE ID	DWG SIZE
	H:\PETE\SMA\901\ASSY\9863SHT2	74868	B

DRAWING NO.	DRAWING NO.	ISSUE
901-9863	901-9863	B

SCALE: 6:1	SHEET 2 OF 2
------------	--------------

<b>Amphenol</b>	
Amphenol Corporation	
RF/Microwave Operations	
Danbury, Conn. U.S.A. 06810	

## X-ON Electronics

Largest Supplier of Electrical and Electronic Components

*Click to view similar products for [RF Connectors / Coaxial Connectors](#) category:*

*Click to view products by [Amphenol](#) manufacturer:*

Other Similar products are found below :

[8915-1511-000](#) [89674-0827](#) [6001-7071-019](#) [6002-7051-003](#) [6002-7551-202](#) [6059674-1](#) [619550-1](#) [630059-000](#) [M39030/3-01N](#) [M3933/25-36N](#) [6500-7071-046](#) [6769](#) [CX050L2AQ](#) [7002-1542-011](#) [7004-1512-000](#) [7009-1511-004](#) [7010-1511-000](#) [7029-1511-060](#) [7101-1541-010](#) [7101-1571-002](#) [7105-1521-002](#) [7145-1521-002](#) [7203-1571-003](#) [7209-1511-011](#) [7210-1511-015](#) [7210-1511-019](#) [73137-5015](#) [73216-2241](#) [7325-1512-000](#) [73404-2300](#) [7405-1521-005](#) [7405-1521-802](#) [7406-1521-005](#) [8527](#) [8547](#) [FS11V](#) [8808-1511-001](#) [9049-9513-000](#) [9074-9513-000](#) [9101-9573-002](#) [910A205F](#) [9130-9573-002](#) [PL11SC-026](#) [PL375-33](#) [PL40-5](#) [PL71-9](#) [PL74C-221](#) [PL75MC-217](#) [PL803-7](#) [980-8666-005](#)