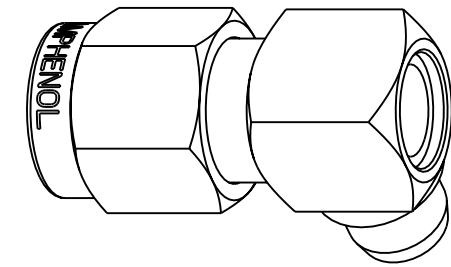


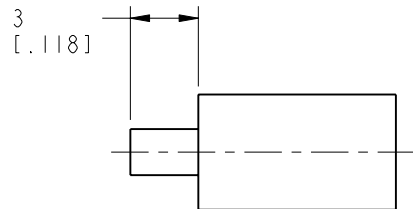
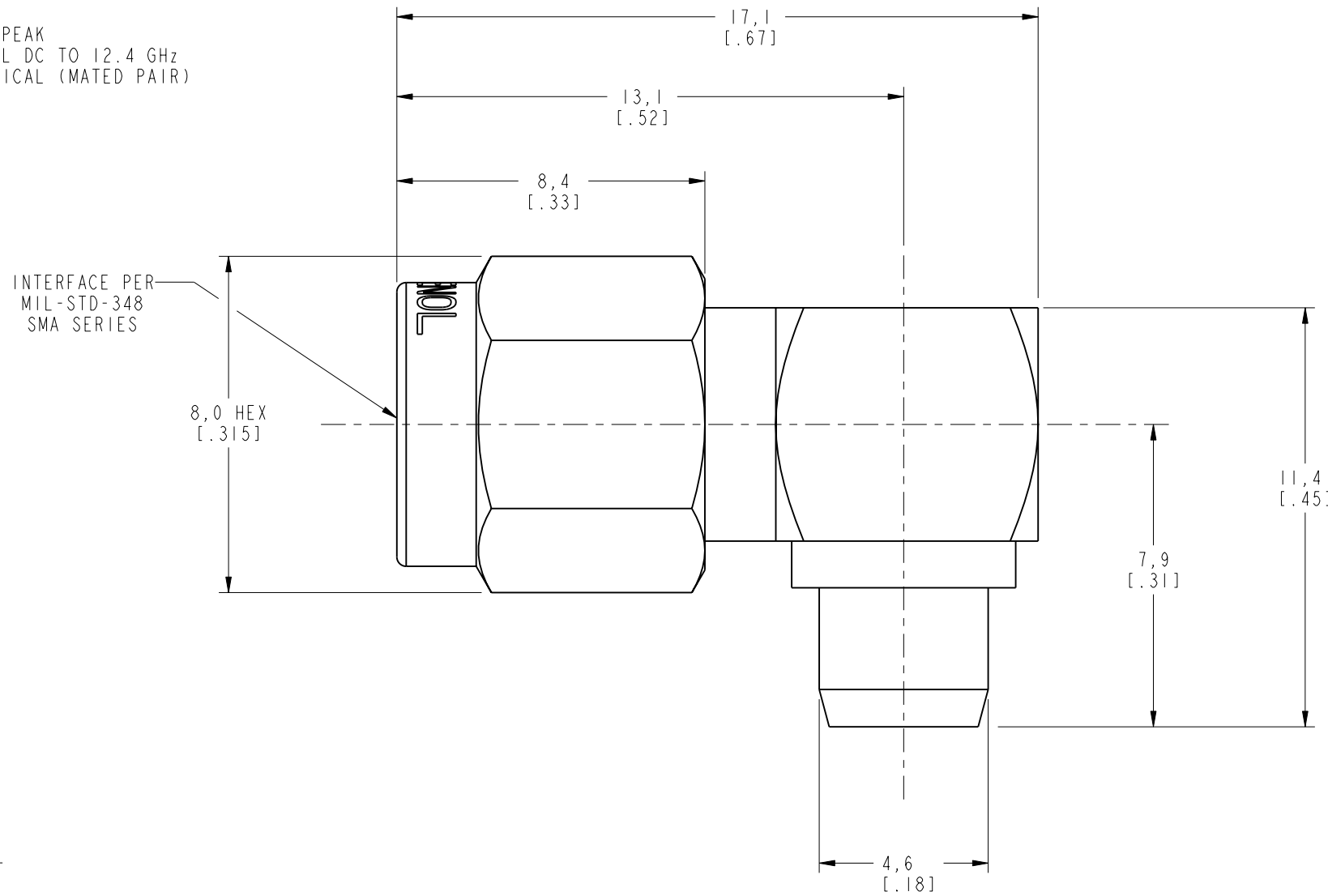
NOTES:

1. MATERIALS AND FINISHES:
 BODIES, COUPLING NUT & OTHER METAL PARTS - BRASS, GOLD PLATED
 CONTACT - BRASS OR BERYLLIUM COPPER, GOLD PLATED 30μ.
 INSULATORS - PTFE.
 GASKET - SILICONE RUBBER.
2. MECHANICAL SPECIFICATIONS:
 MATING CYCLES: MINIMUM 500
 COUPLING TORQUE: 7 INCH-POUNDS MIN., 10 INCH-POUNDS MAX.
3. ELECTRICAL SPECIFICATIONS:
 IMPEDANCE: 50 OHMS
 VOLTAGE RATING: 500 VOLTS RMS PEAK
 VSWR: 1.10 +.01f (GHz), TYPICAL DC TO 12.4 GHz
 INSERTION LOSS: .06√f(GHz) TYPICAL (MATED PAIR)

901-9952-RFX		REVISIONS			
DRAWING NO.	REV	DESCRIPTION	DATE	ECO	APPR
THIRD ANGLE PROJ.	A	RELEASE TO MFG.	2/11/00	43262	CPM



SCALE 3.000



RECOMMENDED CABLE STRIPPING DIMENSIONS
SCALE 3.000

CUSTOMER OUTLINE DRAWING

ALL OTHER SHEETS ARE FOR INTERNAL USE ONLY

UNLESS OTHERWISE SPECIFIED, DIMENSIONS ARE IN INCHES AND TOLERANCES ARE: 0.5 - 6mm ±0.2mm 6 - 30mm ±0.4mm 30 - 120mm ±0.6mm	MATERIAL	DRAWN C. McGRATH	DATE 08-Dec-99	TITLE SMA R/A PLUG CRIMP TYPE FOR .141 SEMI-RIGID CABLE	Amphenol Amphenol Corporation Communication and Network Products Division Danbury, CT U.S.A. 06810 SCALE: 6.0:1 SHEET 2 OF 2
	REFERENCE GEN# 901-9952-RFX.ASM	ENGINEER T. AUBIN	DATE 08-Dec-99		
NOTICE - These drawings, specifications, or other data (1) are, and remain the property of Amphenol Corp. (2) must be returned upon request; and (3) are confidential and not to be disclosed to any person other than those to whom they are given by Amphenol Corp. The furnishing of these drawings, specifications, or other data by Amphenol Corp., or to any other person to anyone for any purpose is not to be regarded by implication or otherwise in any manner licensing, granting rights or permitting such holder or any other person to manufacture, use or sell any product, process or design, patented or otherwise, that may in any way be related to or disclosed by said drawings, specifications, or other data.		APPROVED T. AUBIN	DATE 2/11/00	CODE ID 74868	DWG SIZE B
		CAD FILE I:\SMA\901-9952-RFX	DRAWING NO. 901-9952-RFX		REV A

X-ON Electronics

Largest Supplier of Electrical and Electronic Components

Click to view similar products for [RF Connectors / Coaxial Connectors](#) category:

Click to view products by [Amphenol](#) manufacturer:

Other Similar products are found below :

[8915-1511-000](#) [89674-0827](#) [6001-7071-019](#) [6002-7051-003](#) [6002-7551-202](#) [6059674-1](#) [619550-1](#) [630059-000](#) [M39030/3-01N](#) [M3933/25-36N](#) [6500-7071-046](#) [6769](#) [CX050L2AQ](#) [7002-1542-011](#) [7004-1512-000](#) [7009-1511-004](#) [7010-1511-000](#) [7029-1511-060](#) [7101-1541-010](#) [7101-1571-002](#) [7105-1521-002](#) [7145-1521-002](#) [7203-1571-003](#) [7209-1511-011](#) [7210-1511-015](#) [7210-1511-019](#) [73137-5015](#) [73216-2241](#) [7325-1512-000](#) [73404-2300](#) [7405-1521-005](#) [7405-1521-802](#) [7406-1521-005](#) [8527](#) [8547](#) [FS11V](#) [8808-1511-001](#) [9049-9513-000](#) [9074-9513-000](#) [9101-9573-002](#) [910A205F](#) [9130-9573-002](#) [PL11SC-026](#) [PL375-33](#) [PL40-5](#) [PL71-9](#) [PL74C-221](#) [PL75MC-217](#) [PL803-7](#) [980-8666-005](#)