

## Description

Reverse Polarity is a keying system accomplished with a reversed interface. This ensures, for example, a Reverse Polarity SMA does not mate with a Standard SMA.

Amphenol's RP Plugs have a female contact; Jacks have a male contact. Some competitors prefer to use reverse threading to accomplish their RP keying.

Available for RG-316, RD-316, RG-142, RG-178, Belden 9913, and RG-58 cable.

## Features/Benefits

- May be used in applications where keying is necessary to eliminate mis-matching from mating with a standard connector.
- MIL Standard 348 interface ensures high quality and premium performance.
- Crimp-crimp termination allows easy and quick assembly.
- Fits a variety of cables and configurations allowing the customer to choose the right connector for the application.

## Applications

- Antennas
- Cable Assembly
- GPS
- Spread Spectrum Wireless
- WLAN



### RP-SMA Connectors

Specifications	150
Connectors	151-152

### RP-BNC & RP-TNC

Specifications	154
TNC Connectors	155-156
BNC Connectors	157

## ELECTRICAL

Impedance	50 ohms
Frequency range	Semi-rigid 0-18 GHz.
	Flexible cables 0-12.4 GHz
Voltage rating	375 volts peak
Dielectric withstanding voltage	1,000 volts rms.
VSWR straight connectors	On .141" S/R: 1.05 + .005 f (GHz) On RG-174: 1.20 + .025 f (GHz)
Insertion loss	.03 $\sqrt{f}$ (GHz) dB max.
Insulation resistance	5,000 megohms
RF leakage	-60 dB min.

NOTE: These characteristics are typical and may not apply to all connectors.

## MECHANICAL

Mating	.250-36 threaded coupling
Cable affixment	Crimp or solder types
Center conductor	Solder
Cable retention	60 to 80 lbs. depending on cable

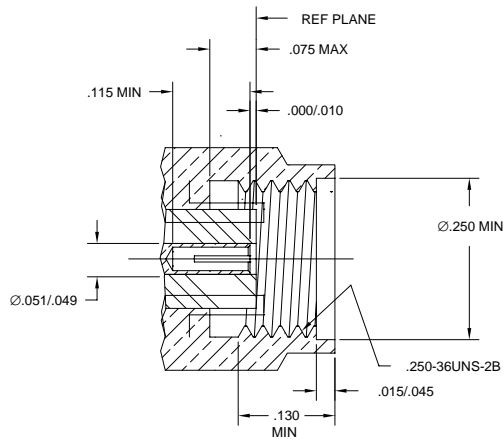
## MATERIAL

Center contacts	Beryllium copper, gold plated
Crimp ferrule	Copper tubing
Other metal parts	Non-magnetic passivated stainless steel or brass, gold or silver plated.
Insulators	TFE
Gaskets	Silicone rubber

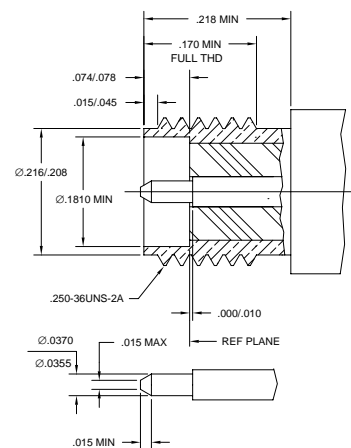
## ENVIRONMENTAL

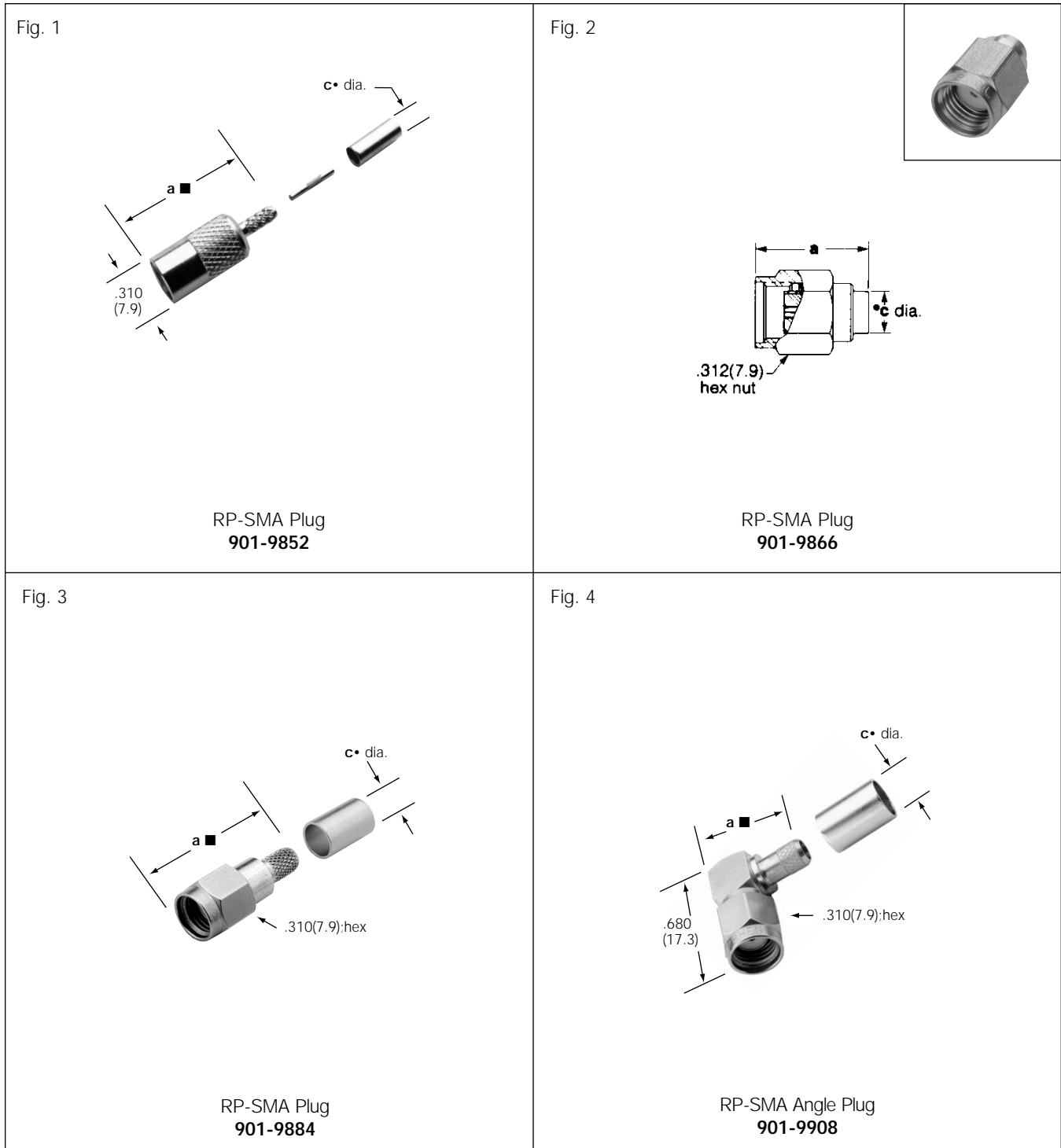
Temperature range	-65°C to + 165°C
Moisture Resistant	MIL-STD 202 method 106 (test condition B)
Corrosion	MIL-STD-202 method 101 (test cond. B)
Vibration	MIL-STD-202 method 204 (test cond. B)

## PLUG



## JACK



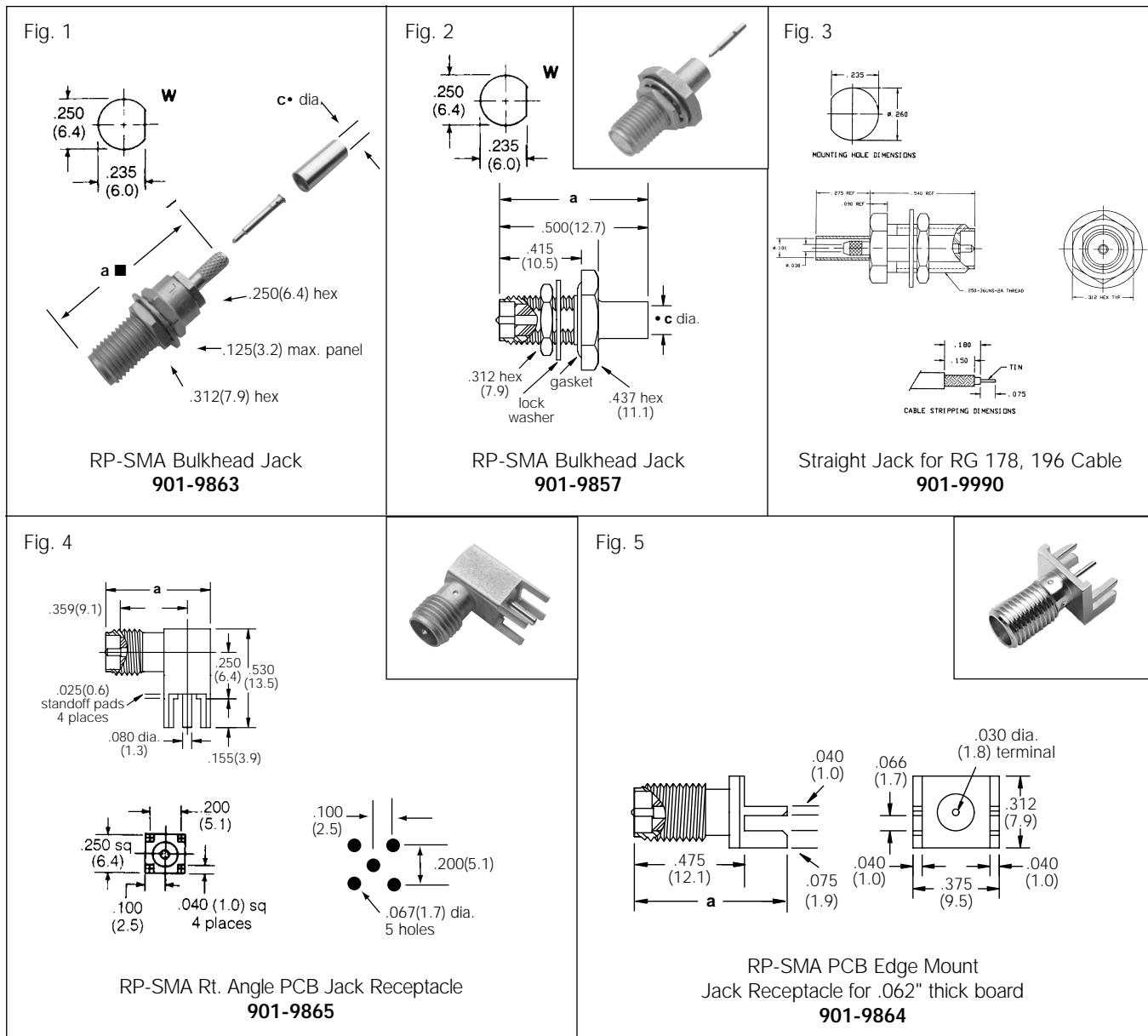


## RP-SMA PLUGS, BULKHEAD JACKS & PCB RECEPTACLES

Cable RG-/U	Conn. Type	Cable Attachment		Dimensions, in.(mm)		CAI	Plt.	Ins.	MTG. Hole	Construction Notes	Amphenol Number	Fig.
		Outer	Inner	a	c •							
55, 142, 223, 400	RP-SMA Plug	Crimp	Solder	.785(19.9)	.206(5.2)	C58	P12	D1	—	—	901-9884	3
174	RP-SMA Plug	Crimp	Solder	.940(23.9)	.128(3.2)	C58	P13	D1	—	Nickel Plated Body	901-9852	1
223	RP-SMA Ang Plug	Crimp	Solder	.560(14.2)	.220(5.6)	C58	P12	D1	—	—	901-9908	4
.141" S/R	RP-SMA Plug	Solder	Press-Fit	.480(12.2)	.145(3.7)	C59	P29	D1	—	Pre-Installed Contact	901-9866	2

■ includes outer ferrule    ● inside diameter

# Reverse Polarity RP-SMA Jacks and Receptacles



## RP-SMA BULKHEAD JACKS

Cable RG-/U	Conn. Type	Cable Attachment		Dimensions, in.(mm)		CAI	Plt.	Ins.	Construction Notes	Amphenol Number	Fig.
		Outer	Inner	a	c •						
174	RP-SMA Bulk Jack	Crimp	Solder	1.50(38.1)	.128(3.2)	C58	P11	D1	—	901-9863	1
.141"S/R	RP-SMA Bulk Jack	Solder	Solder	.750(19.0)	.145(3.7)	C59	P11	D1	Gasketed	901-9857	2
178	RP-SMA Bulk Jack	Crimp	Solder	.815(20.7)	.101(2.6)	C58	P12	D1		901-9990	3

## RP-SMA PCB RECEPTACLES

Description	Dimensions, in.(mm)		CAI	Plt.	Ins.	Construction Notes	Amphenol Number	Fig.
	a	c •						
RP-SMA Rt. Angle PCB Receptacle (J), Post Terminal	.569(14.4)	—	—	P11	D1	—	901-9865	4
RP-SMA End Mount PCB Receptacle (J), Post Terminal	.662(16.8)	—	—	P11	D1	For .062" Thick Board	901-9864	5

■ includes outer ferrule

## X-ON Electronics

Largest Supplier of Electrical and Electronic Components

*Click to view similar products for [RF Connectors / Coaxial Connectors](#) category:*

*Click to view products by [Amphenol](#) manufacturer:*

Other Similar products are found below :

[8915-1511-000](#) [89674-0827](#) [6001-7071-019](#) [6002-7051-003](#) [6002-7551-202](#) [6059674-1](#) [619550-1](#) [630059-000](#) [M39030/3-01N](#) [6500-7071-046](#) [6769](#) [CX050L2AQ](#) [7002-1542-011](#) [7004-1512-000](#) [7009-1511-004](#) [7010-1511-000](#) [7029-1511-060](#) [7101-1541-010](#) [7101-1571-002](#) [7105-1521-002](#) [7145-1521-002](#) [7203-1571-003](#) [7209-1511-011](#) [7210-1511-015](#) [7210-1511-019](#) [73137-5015](#) [73216-2241](#) [7325-1512-000](#) [73404-2300](#) [7405-1521-005](#) [7405-1521-802](#) [7406-1521-005](#) [8527](#) [8547](#) [FS11V](#) [8808-1511-001](#) [9049-9513-000](#) [9074-9513-000](#) [9101-9573-002](#) [910A205F](#) [9130-9573-002](#) [PL11SC-026](#) [PL375-33](#) [PL40-5](#) [PL71-9](#) [PL74C-221](#) [PL75MC-217](#) [PL803-7](#) [980-8666-005](#) [1200690078](#)