

NOTES:

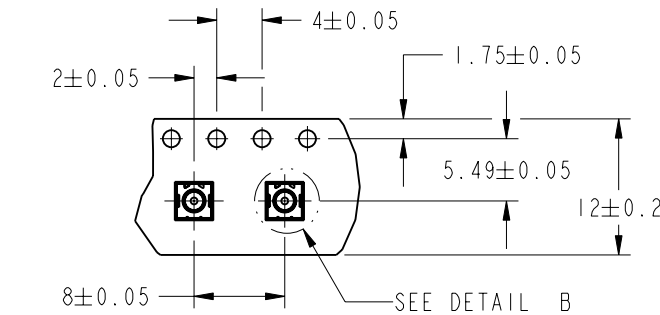
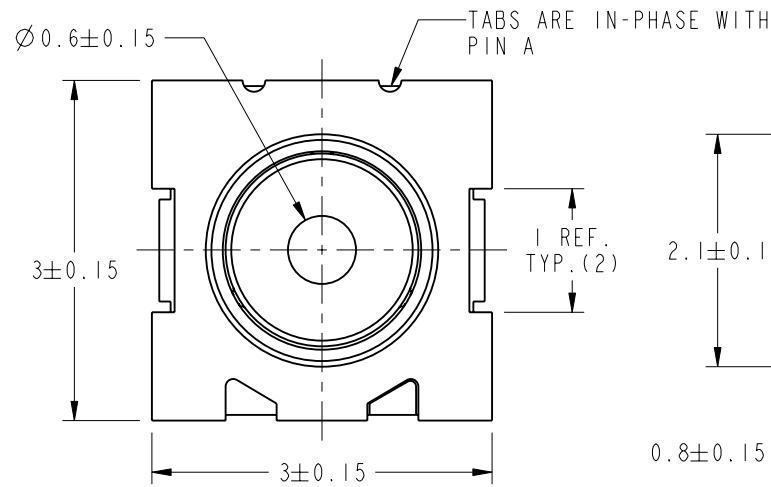
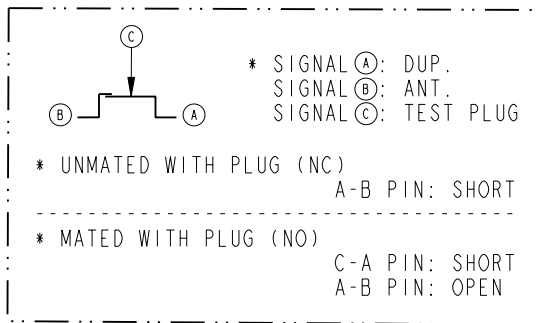
1. ELECTRICAL:
 - A. IMPEDENCE: 50Ω, NOMINAL
 - B. FREQUENCY RANGE: DC-6 GHz
 - C. VSWR: 1.2 MAX. @ DC-3 GHz, 1.4 MAX. @ 3-6 GHz
 - D. CONTACT RESISTANCE: 120 mΩ MAX
 - E. DIELECTRIC WITHSTANDING VOLTAGE: 250V AC FOR 1 MINUTE,
 - F. INSULATION RESISTANCE: 500 MEGOHMS MIN.
 - G. INSERTION LOSS: 0.1dB MAX. @ DC-3 GHz
0.2dB MAX. @ 3-6 GHz
 - H. ISOLATION: 20dB MIN. @ DC-3 GHz
15dB MIN. @ 3-6 GHz

2. PHYSICAL:
 - A. TEMPERATURE RANGE: -40°C TO +85°C
 - B. DURABILITY: 500 CYCLES
 - C. SUITABLE FOR LEAD-FREE SOLDER REFLOW PROCESS PER AMPHENOL SPEC. 349-50712

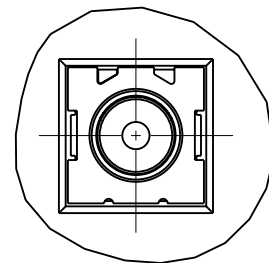
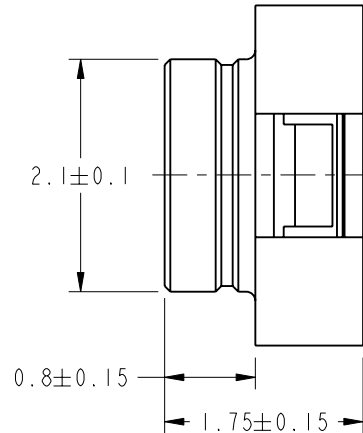
3. MATERIALS AND FINISHES (PLATING THICKNESS IN MICRO-INCHES):
 - SHELL - COPPER ALLOY, 50 MIN. NICKEL OVERALL, CONTACT AREA AU 2 MIN, SOLDERING AREA GOLD FLASH
 - A-PIN(MOVING) -STAINLESS STEEL, 50 MIN. NICKEL OVERALL, CONTACT AREA AU 5 MIN, SOLDERING AREA GOLD FLASH
 - B-PIN(FIXED) - COPPER ALLOY, 50 MIN. NICKEL OVERALL, CONTACT AREA AU 5 MIN, SOLDERING AREA GOLD FLASH
 - MOLD - ENGINEERING PLASTIC, UL 94V-0, BLACK

4. PACKAGING:
 - A. TAPE AND REEL PACKAGING.
 - B. QTY : 3K PCS/REEL(Ø330MM)
 - C. LEAVE 20 EMPTY POCKETS IN THE BEGINNING AND END OF EACH REEL.

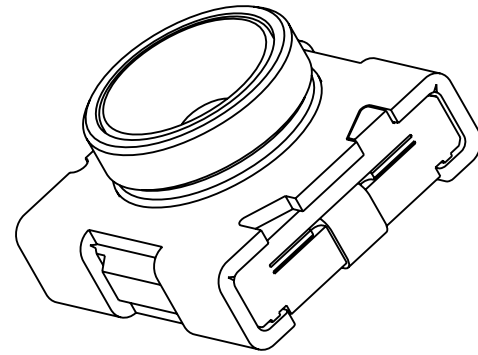
- NOTE:
1. COPLANARITY: MAX. 0.1
 2. OTHERWISE TOLERANCE: ±0.2
 3. RF SWITCH CIRCUIT DIAGRAM:



SCALE 1.500
EMBOSSED CARRIER TAPE DIMENSIONS



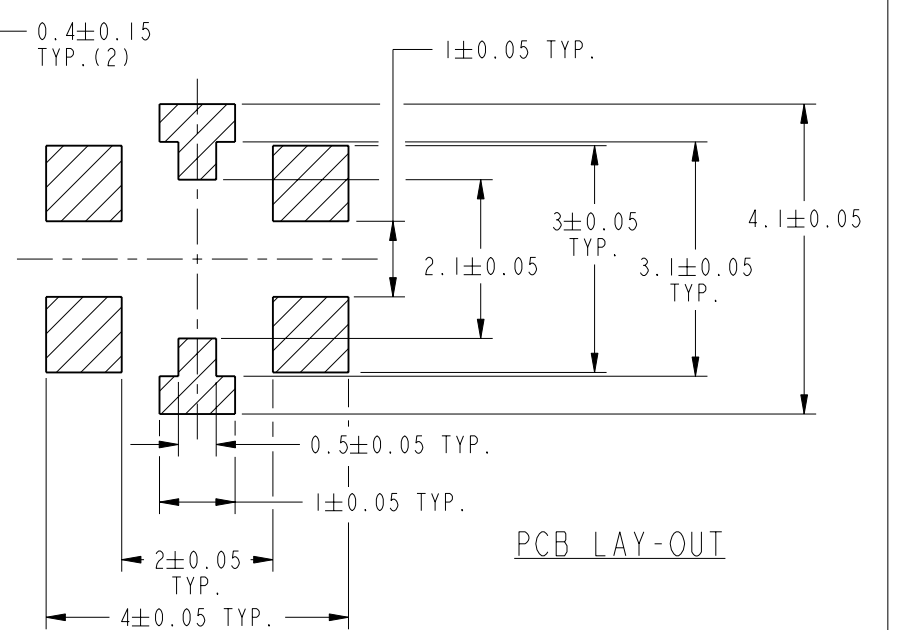
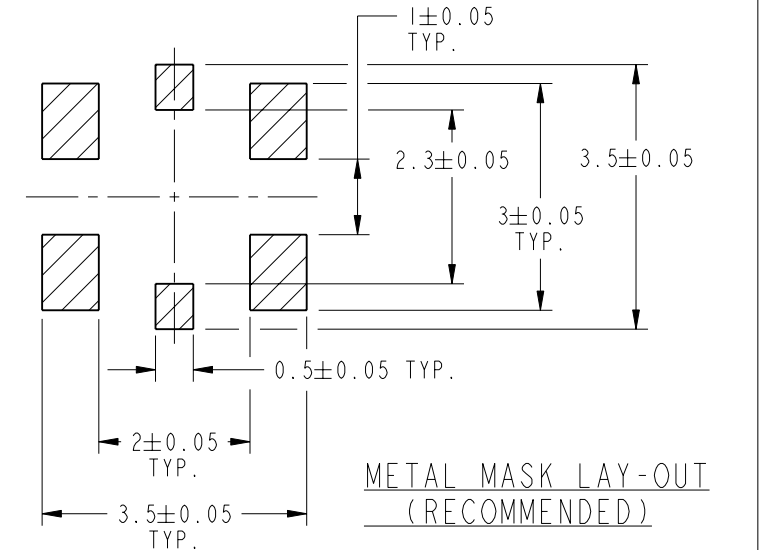
DETAIL B
SCALE 6.000



SCALE 15.000

THIRD ANGLE PROJ.

		REVISIONS		
REV	DESCRIPTION	DATE	ECO	APPR
A	RELEASE TO MFG.	3/5/08	46979	NMV
B	UPDATED TEMPERATURE RANGE TO -40	4/2/09	47532	TRC
C	ADDED NOTE 4	1/21/13	49403	EW
D	CYCLES WAS 2000, 250 VAC WAS 100VAC, MATERIALS UPDATED, 0.80 WAS .75 ADDED NOTCH, CONTACT RESISTANCE WAS 50 mΩ INNER 40 mΩ OUTER, INSULATION RESISTANCE WAS 1000 MΩ MATERIAL WAS BeCu ADDED INPUT TERMINAL MATERIAL	3/3/14	49763	EW
E	SYNC THE DRAWING WITH DANBURY\RD-DMI411120IT1	24-Nov-14	50189	RC



CUSTOMER OUTLINE DRAWING
ALL OTHER SHEETS ARE FOR INTERNAL USE ONLY

UNLESS OTHERWISE SPECIFIED, DIMENSIONS ARE IN METRIC AND TOLERANCES ARE: <0.5mm ±0.05mm 0.5 - 6mm ±0.1mm 6 - 30mm ±0.2mm 30 - 120mm ±0.3mm ANGLES ±1°	MATERIAL	DRAWN TANGOR	DATE 24-Nov-14	TITLE RF SWITCH ASSEMBLY	Amphenol RF www.amphenolrf.com
	REFERENCE EAR # 2750 AND 902-9040	ENGINEER PRAVEEN N.B	DATE 27-Dec-06		
NOTICE - These drawings, specifications, or other data (1) are, and remain the property of Amphenol corp. (2) must be returned upon request; and (3) are confidential and not to be disclosed to any person other than those to whom they are given by Amphenol Corp. the furnishing of these drawings, specifications, or other data by Amphenol Corp., or to any other person to anyone for any purpose is not to be regarded by implication or otherwise in any manner licensing, granting rights to permitting such holder or any other person to manufacture, use or sell any product, process or design, patented or otherwise, that may in any way be related to or disclosed by said drawings, specifications, or other data.	CONFIGURATION LEVEL:	APPROVED RICKSON	DATE 24-Nov-14	SCALE: 13.0:1.0 SHEET 1 OF 1	ITEM NO. 902-9040
	FINISH	CAD FILE	DWG SIZE B	REV E	PART NO. 902-9040

X-ON Electronics

Largest Supplier of Electrical and Electronic Components

Click to view similar products for [RF Connectors / Coaxial Connectors](#) category:

Click to view products by [Amphenol](#) manufacturer:

Other Similar products are found below :

[8915-1511-000](#) [89674-0827](#) [6001-7071-019](#) [6002-7051-003](#) [6002-7551-202](#) [6059674-1](#) [619550-1](#) [630059-000](#) [M39030/3-01N](#) [M3933/25-36N](#) [6500-7071-046](#) [6769](#) [CX050L2AQ](#) [7002-1542-011](#) [7004-1512-000](#) [7009-1511-004](#) [7010-1511-000](#) [7029-1511-060](#) [7101-1541-010](#) [7101-1571-002](#) [7105-1521-002](#) [7145-1521-002](#) [7203-1571-003](#) [7209-1511-011](#) [7210-1511-015](#) [7210-1511-019](#) [73137-5015](#) [73216-2241](#) [7325-1512-000](#) [73404-2300](#) [7405-1521-005](#) [7405-1521-802](#) [7406-1521-005](#) [8527](#) [8547](#) [FS11V](#) [8808-1511-001](#) [9049-9513-000](#) [9074-9513-000](#) [9101-9573-002](#) [910A205F](#) [9130-9573-002](#) [PL11SC-026](#) [PL375-33](#) [PL40-5](#) [PL71-9](#) [PL74C-221](#) [PL75MC-217](#) [PL803-7](#) [980-8666-005](#)