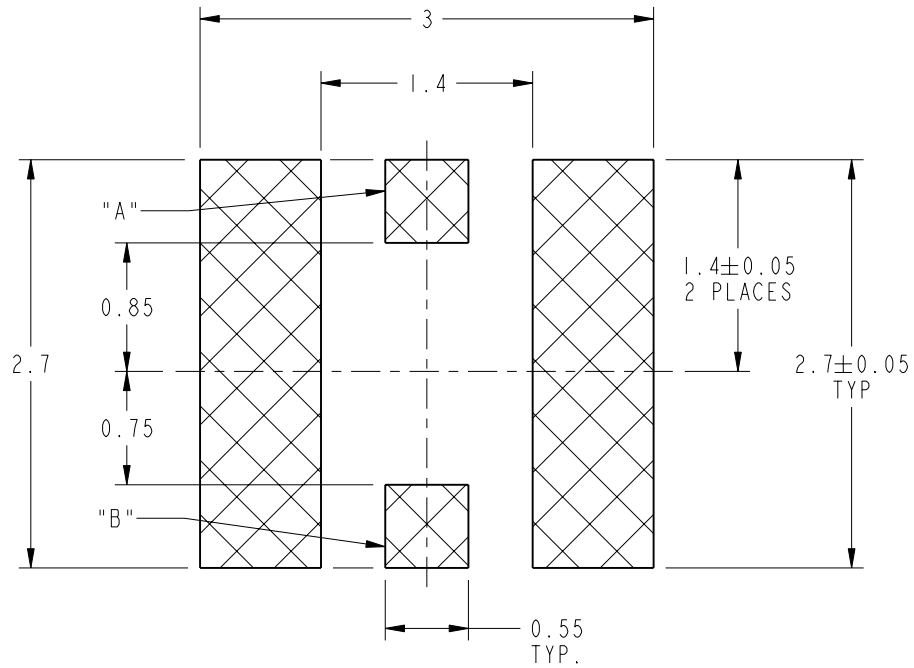


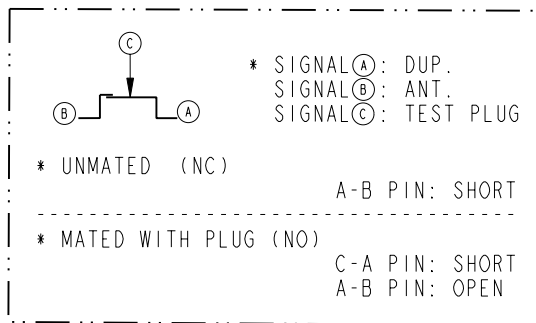
NOTES:

- MATERIALS AND FINISHES(PLATING THICKNESS IN MICRO-INCHES):  
 SHELL - BRASS(C2680R-0, T0.15), Au (2 MIN) OVER Ni (35-190MIN.) PLATING.  
 A-PIN(MOVING) -STAINLESS STEEL (SUS301R-EH,T0.08), Au(5 MIN) OVER Ni (35-150) PLATING  
 B-PIN(FIXED) -PHOSPHOR BRONZE (C5191R-H,T0.10), Au(5 MIN) OVER Ni (35-150) PLATING  
 MOLD - LCP E5006L
- ELECTRICAL:  
 A. IMPEDANCE: 50 OHM  
 B. FREQUENCY RANGE: DC - 6 GHz  
 C. VSWR(RETURN LOSS): 1.4 MAX.  
 D. DIELECTRIC WITHSTANDING VOLTAGE: 1 MIN. AC300V VRMS
- MECHANICAL:  
 A. DURABILITY: 500 CYCLES MIN.  
 B. TEMPERATURE RANGE: -40°C TO +85°C
- PACKAGING:  
 A. TAPE & REEL



**RECOMMENDED PCB PATTERN**

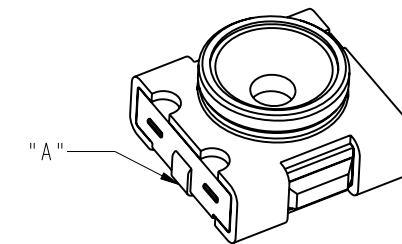
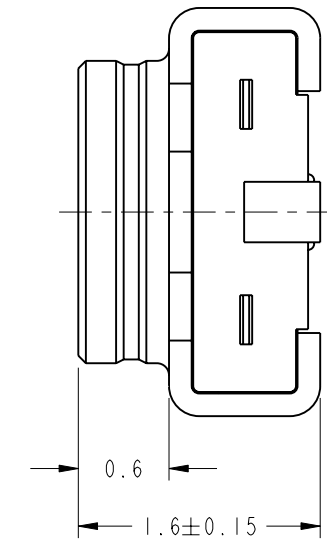
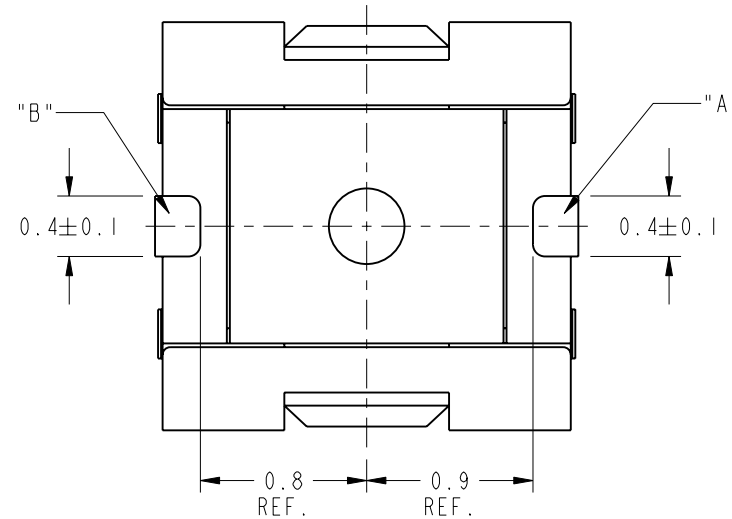
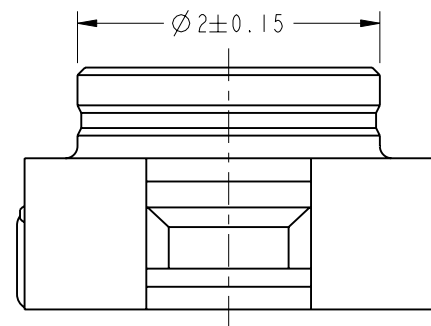
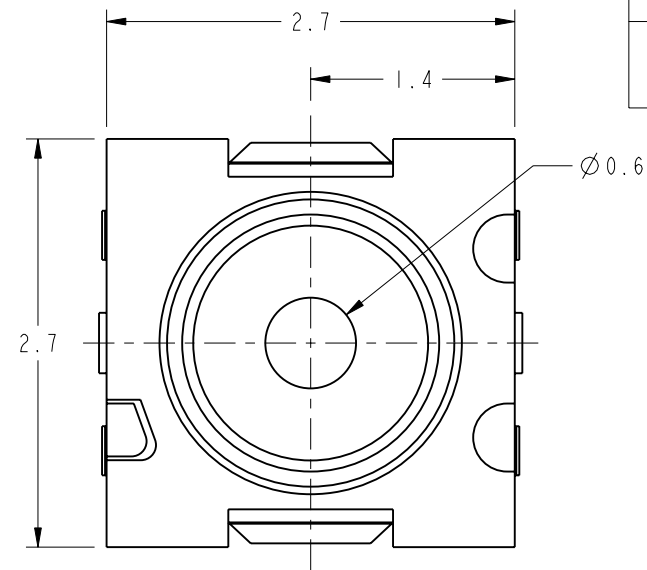
- NOTE:  
 1. COPLANARITY: MAX. 0.1  
 2. OTHERWISE TOLERANCE: ±0.2  
 3. RF SWITCH CIRCUIT DIAGRAM:



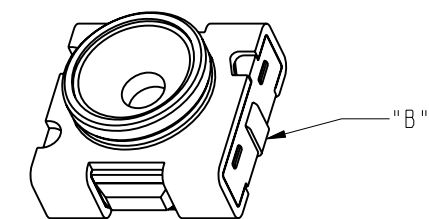
THIRD ANGLE PROJ.

REVISIONS

REV	DESCRIPTION	DATE	ECO	APPR
A	RELEASE TO MFG	2/18/09	47444	TRC
B	DOC ERROR TO CORRECT PIN MATERIAL, .1 WAS .01 DWV WAS 100V VRMS, LOW TEMP WAS -35°C ADDED TAPE AND REEL DRAWING	9/18/14	50156	EW
C	UPDATED PCB PCB PATTERN: 2.7 WAS 3.4, 2.7 WAS 2.65, 0.85 WAS 1.25, 0.75 WAS 1.05, THE OTHERS SEE SHEET 3 FOR DETAILS	19-Jan-15	50216	SH



SCALE 10.000



SCALE 10.000

**CUSTOMER OUTLINE DRAWING**

ALL OTHER SHEETS ARE FOR INTERNAL USE ONLY

UNLESS OTHERWISE SPECIFIED, DIMENSIONS ARE IN METRIC AND TOLERANCES ARE:  
 <0.5mm ± 0.05mm    0.5 - 6mm ± 0.1mm    6 - 30mm ± 0.2mm    30 - 120mm ± 0.3mm    ANGLES ± 1°

NOTICE - These drawings, specifications, or other data (1) are, and remain the property of Amphenol corp. (2) must be returned upon request; and (3) are confidential and not to be disclosed to any person other than those to whom they are given by Amphenol Corp. the furnishing of these drawings, specifications, or other data by Amphenol Corp., or to any other person to anyone for any purpose is not to be regarded by implication or otherwise in any manner licensing, granting rights to permitting such holder or any other person to manufacture, use or sell any product, process or design, patented or otherwise, that may in any way be related to or disclosed by said drawings, specifications, or other data.

MATERIAL SEE NOTES	DRAWN TANGOR	DATE 08-0ct-14	TITLE RF SWITCH ASSEMBLY	Amphenol RF www.amphenolrf.com
REFERENCE EAR # 3211	ENGINEER T. COVERSTONE	DATE 02-Feb-09	SCALE: 20.0:1.0   SHEET 2 OF 3	
CONFIGURATION LEVEL:	APPROVED K. CAPOZZI	DATE 2/5/09	DWG SIZE B	REV C
FINISH				DRAWING NO. 902-9049
				ITEM NO. 902-9049
				PART NO. 902-9049

NOTES:

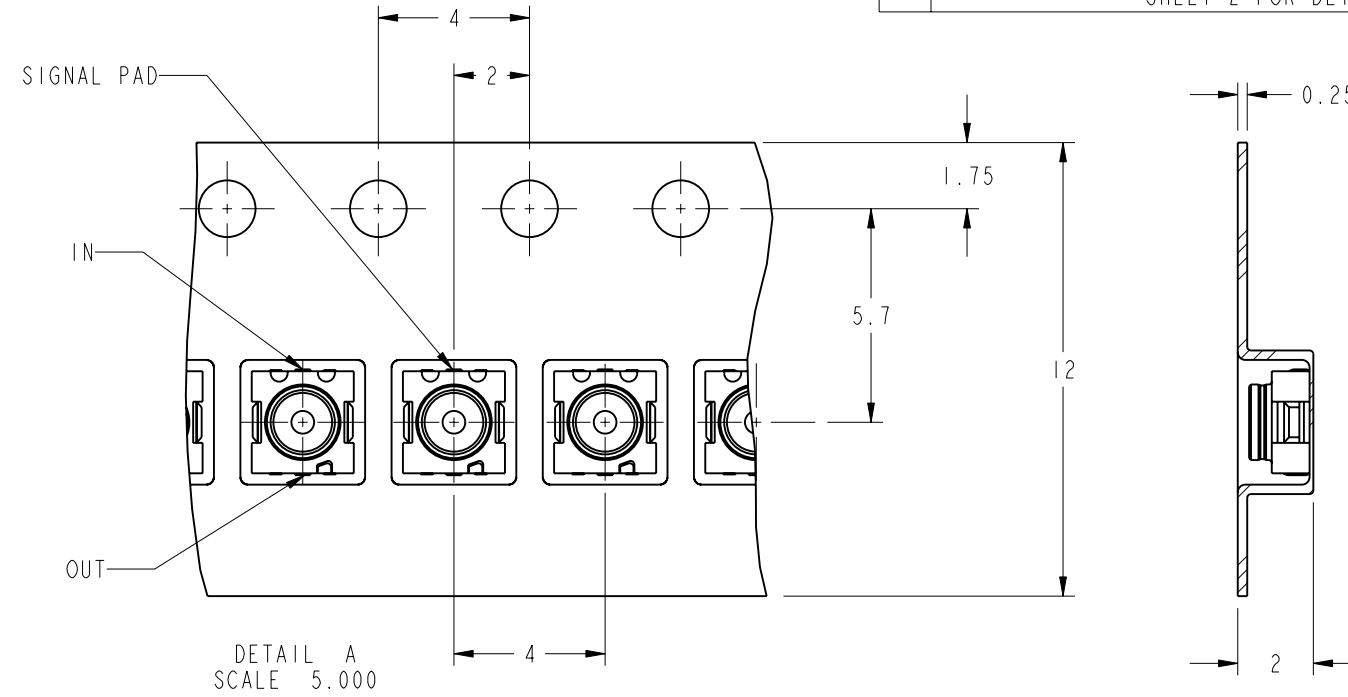
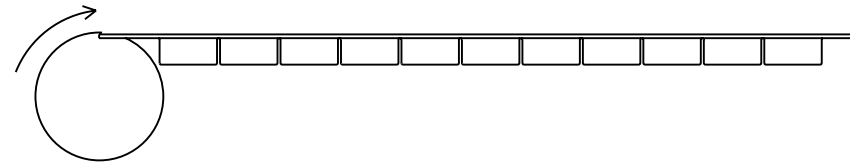
- 1. TAPE AND REEL QTY: 5000
- 2. MATERIALS  
 TAPE: PET  
 REEL: PC

THIRD ANGLE PROJ.

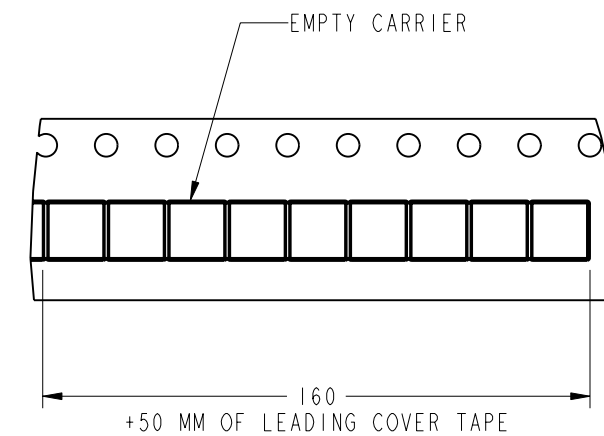
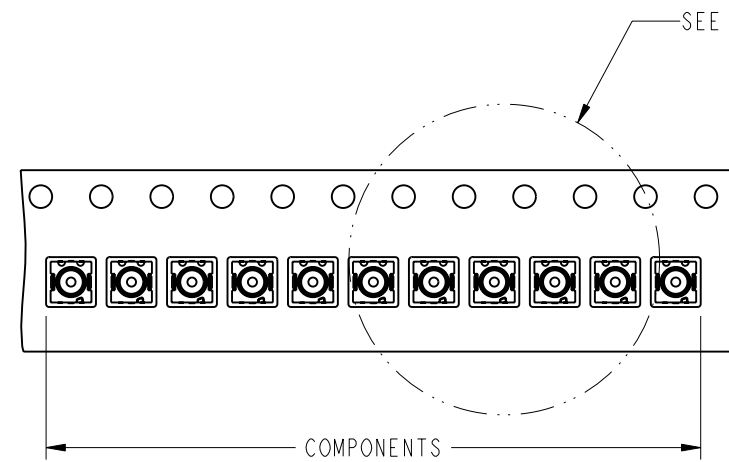
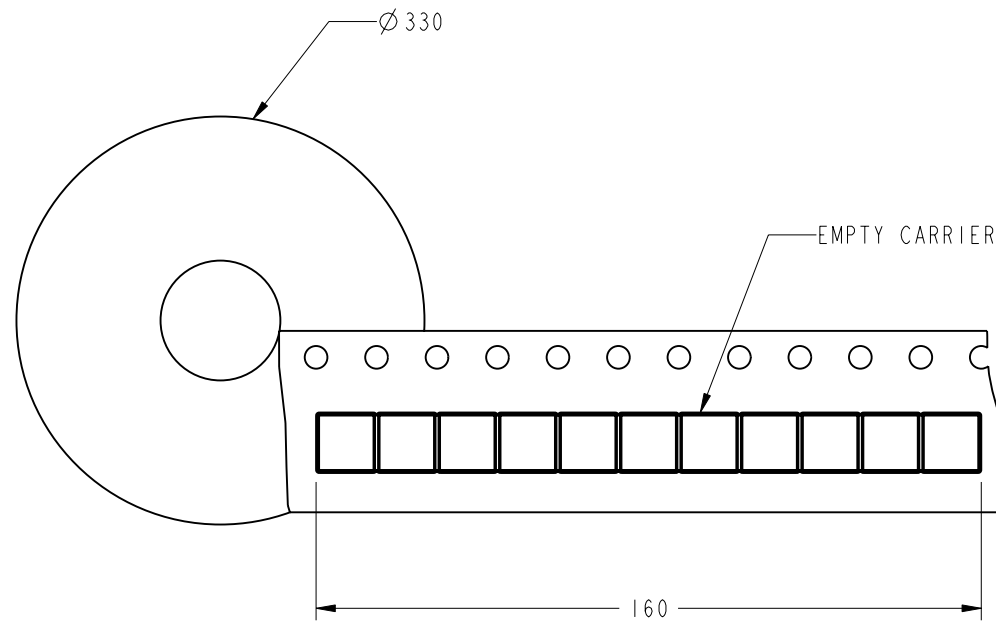
REVISIONS

REV	DESCRIPTION	DATE	ECO	APPR
--	RELEASE TO MFG	-----	-----	-----
B	SEE SHEET 1	9/18/14	50156	EW
C	0.25 WAS 0.35, 2 WAS 2.25, THE OTHERS SEE SHEET 2 FOR DETAILS	19-Jan-15	50216	SH

UNREELING DIRECTION



**EMBOSSSED CARRIER TAPE DIMENSIONS**



UNLESS OTHERWISE SPECIFIED, DIMENSIONS ARE IN METRIC AND TOLERANCES ARE:  
 <0.5mm ±0.05mm    0.5 - 6mm ±0.1mm    6 - 30mm ±0.2mm    30 - 120mm ±0.3mm    ANGLES ±1°

NOTICE - These drawings, specifications, or other data (1) are, and remain the property of Amphenol corp. (2) must be returned upon request; and (3) are confidential and not to be disclosed to any person other than those to whom they are given by Amphenol Corp. the furnishing of these drawings, specifications, or other data by Amphenol Corp., or to any other person to anyone for any purpose is not to be regarded by implication or otherwise in any manner licensing, granting rights to permitting such holder or any other person to manufacture, use or sell any product, process or design, patented or otherwise, that may in any way be related to or disclosed by said drawings, specifications, or other data.

MATERIAL	DRAWN TANGOR	DATE 08-Oct-14
REFERENCE EAR # 3211	ENGINEER T. COVERSTONE	DATE 02-Feb-09
CONFIGURATION LEVEL:	APPROVED K. CAPOZZI	DATE 9/18/14
FINISH	CAD FILE	

TITLE RF SWITCH ASSEMBLY TAPE AND REEL
SCALE: 2.0:1.0   SHEET 3 OF 3
DWG SIZE B
REV C

Amphenol RF www.amphenolrf.com	
DRAWING NO. 902-9049	
ITEM NO. 902-9049	
PART NO. 902-9049	

## X-ON Electronics

Largest Supplier of Electrical and Electronic Components

*Click to view similar products for [RF Connectors / Coaxial Connectors](#) category:*

*Click to view products by [Amphenol](#) manufacturer:*

Other Similar products are found below :

[8915-1511-000](#) [89674-0827](#) [6001-7071-019](#) [6002-7051-003](#) [6002-7551-202](#) [6059674-1](#) [619550-1](#) [630059-000](#) [M39030/3-01N](#) [M3933/25-36N](#) [6500-7071-046](#) [6769](#) [CX050L2AQ](#) [7002-1542-011](#) [7004-1512-000](#) [7009-1511-004](#) [7010-1511-000](#) [7029-1511-060](#) [7101-1541-010](#) [7101-1571-002](#) [7105-1521-002](#) [7145-1521-002](#) [7203-1571-003](#) [7209-1511-011](#) [7210-1511-015](#) [7210-1511-019](#) [73137-5015](#) [73216-2241](#) [7325-1512-000](#) [73404-2300](#) [7405-1521-005](#) [7405-1521-802](#) [7406-1521-005](#) [8527](#) [8547](#) [FS11V](#) [8808-1511-001](#) [9049-9513-000](#) [9074-9513-000](#) [9101-9573-002](#) [910A205F](#) [9130-9573-002](#) [PL11SC-026](#) [PL375-33](#) [PL40-5](#) [PL71-9](#) [PL74C-221](#) [PL75MC-217](#) [PL803-7](#) [980-8666-005](#)