

PRODUCT NUMBER
90309-XXXXLF

WHEN REQUIRED, ADD SUFFIX LETTER "LF"
INDICATES THE PRODUCT IS RoHS
COMPATIBLE, SEE NOTE 6 & 7

PACKAGING, SEE NOTE 5
TOTAL NB OF POSITIONS, 08 TO 34

PLATING

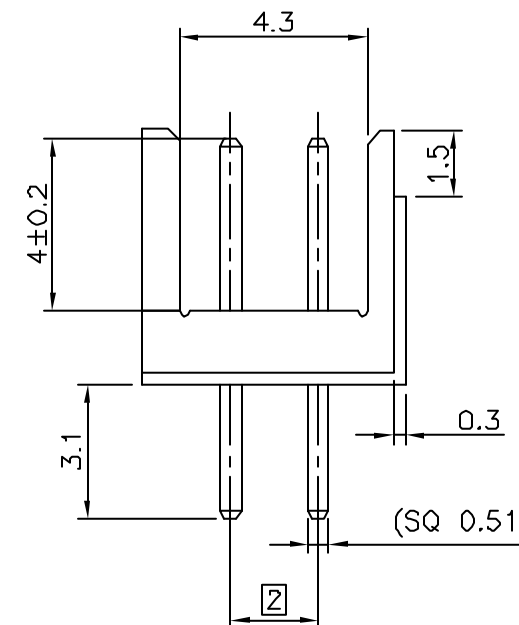
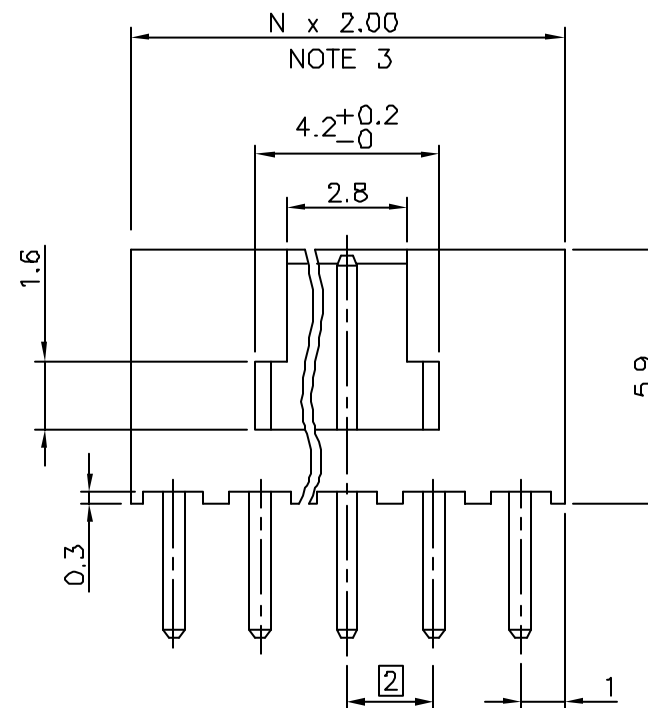
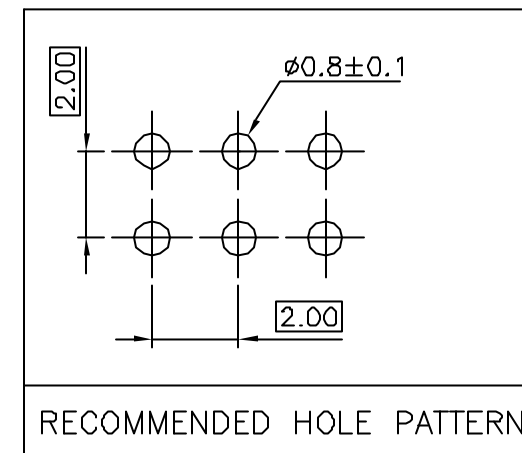
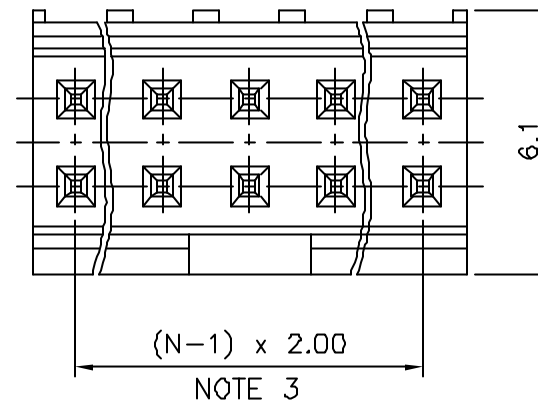
- 0 = 0.20µm GOLD/GXT ON CONTACT AREA
3.81 TIN LEAD ON TAIL
- 1 = 0.76µm GOLD/GXT ON CONTACT AREA
3.81 TIN LEAD ON TAIL
- 3 = 0.38µm GOLD/GXT ON CONTACT AREA
3.81 TIN LEAD ON TAIL
- 5 = 0.38µm GXT FULL PLATED
- 6 = 0.76µm GXT FULL PLATED
- 7 = 0.76µm GOLD/GXT FULL PLATED
- 9 = 0.20µm GOLD/GXT FULL PLATED

UNDERPLATING 1.27µm Ni MIN

WHEN "LF" IS REQUIRED, 2µm MATTE TIN OVER 1.27µm Ni MIN
IS PROVIDED INSTEAD OF TIN LEAD, ONLY FOR PLATING 1, 3, 5

NOTES:

1. MATERIAL HOUSING: HIGH TEMP. THERMOPLASTIC
UL 94V-0, COLOR CREAM
2. MATERIAL TERMINAL: COPPER ALLOY
3. TO DETERMINE DIMENSIONS:
N = NUMBER OF POSITIONS PER ROW
4. 7N MIN. PIN RETENTION IN EITHER DIRECTION.
5. PACKAGING: = POLYBAGS
 T = TUBE
6. 95609-5XXXXLF IS SIMILAR TO 95609-5XXX
95609-6XXXXLF IS SIMILAR TO 95609-6XXX
THE SUFFIX "LF" IS ADDED FOR EASY LEAD FREE IDENTIFICATION
7. RoHS COMPATIBLE PRODUCT SPECIFICATIONS
 - a - PLATING:
 - "LF" MEANS THE PRODUCT IS LEAD-FREE,
2µm MINIMUM MATTE TIN OVER 1.27µm
MINIMUM NICKEL UNDERPLATE.
 - b - MANUFACTURING PROCESS COMPATIBILITY
 - THE HOUSING WILL WITHSTAND EXPOSURE TO
260°C ±5°C SOLDER BATH TEMPERATURE FOR
5 SECONDS IN A WAVE SOLDER APPLICATION
WITH A 1.6mm MIN THICK CIRCUIT BOARD.
 - c - LABELLING:
 - MEETS PACKAGING SPECS AS PER GS-14-920
 - d - THIS PRODUCT MEETS EUROPEAN DIRECTIVES
AND OTHER COUNTRY REGULATIONS AS DISCRIBED
IN GS-22-008.



mat'l. code				surface		tolerance		projection		product family	
SEE NOTES				ISO 1302		ISO 406 ISO 1101		mm		MINITEK HEADER	
Ltr	ecn no	dr	date	tolerances unless otherwise specified		.X ±0.3		mm		title	
S	F05-0128	LMU	05.02.21	angles	linear	.XX ±0.13					
T	F06-0210	LMU	06.07.04	±2'		.XXX ±0.05	scale 7:1		SHR HEADER 2.00mm TMT DR		
U	F07-0191	JCO	07.09.05								
V	F08-0145	ELA	15.04.08	dr	JL.CORDIER	97.07.26	FCJ		dwg no		
				engr	J.COMPAGNON	97.07.26					sheet 1 of 1
				chr	JL.CORDIER	97.07.26			90309		A3
sheet index				revision sheet		appd JMC		97.07.26		type CUSTOMER Drawing	

X-ON Electronics

Largest Supplier of Electrical and Electronic Components

Click to view similar products for [Headers & Wire Housings](#) category:

Click to view products by [Amphenol](#) manufacturer:

Other Similar products are found below :

[95000-104TRLF](#) [10135584-644402LF](#) [DF62W-EP2022PCA](#) [95000-106TRLF](#) [DF62W-2022SCA](#) [DF62W-EP2022PC](#) [2203348](#) [DF62W-2022SC](#) [1084018](#) [1029039](#) [1084017](#) [802-10-012-10-002000](#) [1112640](#) [1112639](#) [891-007-9SS-BST1T](#) [000-34000](#) [0008550134](#) [0009482033](#) [0009507031](#) [57102-F02-18ULF](#) [57102-S06-03LF](#) [57202-S52-04LF](#) [PCN6-15S-2.5E](#) [0039019024](#) [58102-G61-06LF](#) [582553-1](#) [0009485154](#) [0009508121](#) [009176003701906](#) [0022285053](#) [0050291907](#) [018731A](#) [LY20-4P-DT1-P1E-BR](#) [02.125.8002.8](#) [60101931](#) [60598-1 \(Cut Strip\)](#) [M1625-3R/100](#) [61062-3](#) [61082-181009](#) [CSU011177004](#) [636-1427](#) [638009-1](#) [641938-9](#) [641991-4](#) [644168-1](#) [644827-2](#) [647662-1](#) [65039-019ELF](#) [65692-001LF](#) [65781-018](#)