

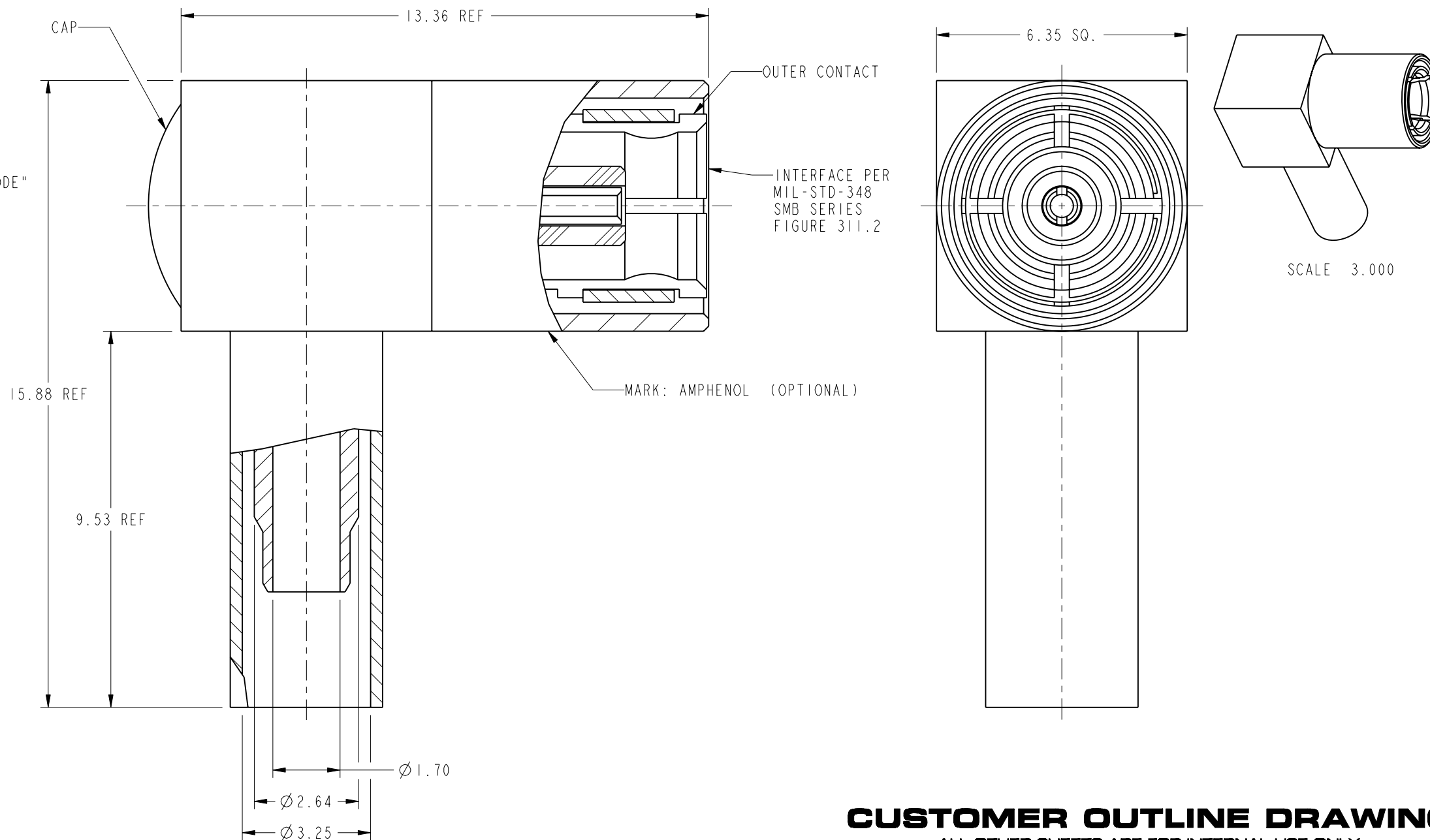
NOTES:

1. MATERIALS AND FINISHES:
 BODY, HOOD - BRASS, GOLD PLATING
 OUTER CONTACT & CAP - BRASS, GOLD PLATING
 CONTACT PIN - BeCu, GOLD PLATING
 RETAINING RING - BeCu, NICKEL PLATING
 INSULATOR - PTFE, NATURAL
 FERRULE - COPPER, GOLD PLATING
2. ELECTRICAL:
 A. IMPEDANCE: 50 OHM
 B. DIELECTRIC WITHSTANDING VOLTAGE: 1000 VRMS, MIN.
3. MECHANICAL:
 A. DURABILITY: 500 CYCLES MIN.
 B. TEMPERATURE RANGE: -65° C TO +165° C
4. CRIMPED FERRULE
 HEX CRIMP SIZE 0.128"
5. CONTACT PIN TO SOLDER
6. PACKAGING:
 A. PACKAGE CONNECTOR AS PER ROUTING INSTRUCTIONS.
 B. MARK BAG OR TAG "AMPHENOL RF 903-289P-51A AND DATE CODE"

THIRD ANGLE PROJ.

REVISIONS

REV	DESCRIPTION	DATE	ECO	APPR
A	RELEASE TO MFG.	6/20/84	30168	MM/SP
H	SEE SHEET I	3/22/95	40549	PB
J	SEE SHEET I	2/12/04	44801	CPM/KC
K	SEE SHEET I	28-Nov-07	44820	SH
L	INSULATOR WAS CHANGED\RD-DM0806040IS1	13-Jun-08	--	SH
M	CAP WAS CHANGED, BODY WAS CHANGED\RD-DMI103010IT1	15-Mar-11	48113	SH
N	PLATING NOTES UPDATED	26-Mar-14	49892	RAK
P	UPDATED PLATING CODES \RD-DMI1512210IS2	31-Dec-15	50808	MJD



CUSTOMER OUTLINE DRAWING
 ALL OTHER SHEETS ARE FOR INTERNAL USE ONLY

UNLESS OTHERWISE SPECIFIED, DIMENSIONS ARE IN METRIC AND TOLERANCES ARE:

<0.5mm	0.5 - 6mm	6 - 30mm	30 - 120mm	ANGLES
± 0.05mm	±0.1mm	±0.2mm	± 0.3mm	±1°

 NOTICE - These drawings, specifications, or other data (1) are, and remain the property of Amphenol corp. (2) must be returned upon request; and (3) are confidential and not to be disclosed to any person other than those to whom they are given by Amphenol Corp. the furnishing of these drawings, specifications, or other data by Amphenol Corp., or to any other person to anyone for any purpose is not to be regarded by implication or otherwise in any manner licensing, granting rights to permitting such holder or any other person to manufacture, use or sell any product, process or design, patented or otherwise, that may in any way be related to or disclosed by said drawings, specifications, or other data.

MATERIAL	SEE NOTES
REFERENCE	
CONFIGURATION LEVEL:	
FINISH	

DRAWN	S. DUAN	DATE	31-Dec-15
ENGINEER	K. CAPOZZI	DATE	08-Mar-02
APPROVED	S. HSIEH	DATE	04-Jan-16
CAD FILE			

TITLE	
SMB RIGHT ANGLE PLUG FOR RG-316/U	
SCALE: 8.0:1.0	SHEET 2 OF 2
DWG SIZE	REV
B	P

Amphenol RF	
Danbury CT USA, Tainan, Taiwan, Shenzhen, China www.amphenolrf.com	
DRAWING NO. 903-289P-51A	
ITEM NO. 903-289P-51A	
PART NO. 903-289P-51A	

X-ON Electronics

Largest Supplier of Electrical and Electronic Components

Click to view similar products for [RF Connectors / Coaxial Connectors](#) category:

Click to view products by [Amphenol](#) manufacturer:

Other Similar products are found below :

[8915-1511-000](#) [89674-0827](#) [6001-7071-019](#) [6002-7051-003](#) [6002-7551-202](#) [6059674-1](#) [619550-1](#) [630059-000](#) [M39030/3-01N](#) [M3933/25-36N](#) [6500-7071-046](#) [6769](#) [CX050L2AQ](#) [7002-1542-011](#) [7004-1512-000](#) [7009-1511-004](#) [7010-1511-000](#) [7029-1511-060](#) [7101-1541-010](#) [7101-1571-002](#) [7105-1521-002](#) [7145-1521-002](#) [7203-1571-003](#) [7209-1511-011](#) [7210-1511-015](#) [7210-1511-019](#) [73137-5015](#) [73216-2241](#) [7325-1512-000](#) [73404-2300](#) [7405-1521-005](#) [7405-1521-802](#) [7406-1521-005](#) [8527](#) [8547](#) [FS11V](#) [8808-1511-001](#) [9049-9513-000](#) [9074-9513-000](#) [9101-9573-002](#) [910A205F](#) [9130-9573-002](#) [PL11SC-026](#) [PL375-33](#) [PL40-5](#) [PL71-9](#) [PL74C-221](#) [PL75MC-217](#) [PL803-7](#) [980-8666-005](#)