

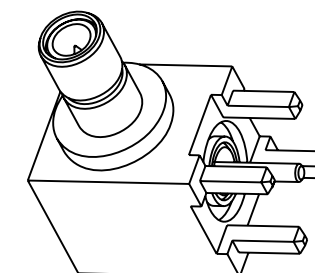
NOTES:

1. MATERIALS OF CONSTRUCTION:  
 FRONT BODY - BRASS, GOLD PLATING  
 REAR BODY - BRASS, MATTE TIN PLATING  
 CONTACT PIN - BRASS, GOLD PLATING  
 INSULATORS - PTFE
2. ELECTRICAL:  
 A. IMPEDANCE: 50 OHM  
 B. FREQUENCY RANGE: DC 0-4 GHZ  
 C. VSWR: 1.18, MAX.  
 D. DIELECTRIC WITHSTANDING VOLTAGE: 1000 VRMS, MIN.
3. MECHANICAL:  
 A. DURABILITY: 500 CYCLES MIN.  
 B. TEMPERATURE RANGE: -65° C TO +165° C
4. PACKAGING:  
 A. PACKAGE CONNECTOR AS PER ROUTING INSTRUCTIONS.  
 B. MARK BAG OR TAG "903-373J-51A AND DATE CODE"

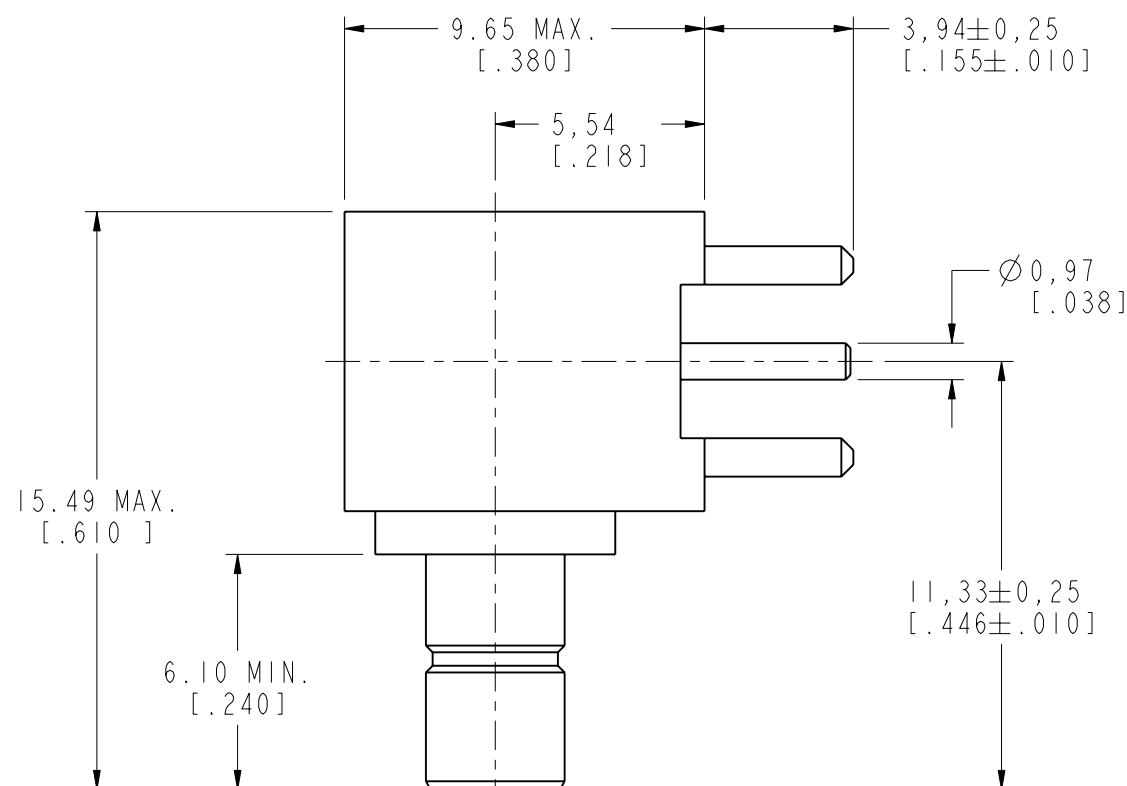
THIRD ANGLE PROJ.

REVISIONS

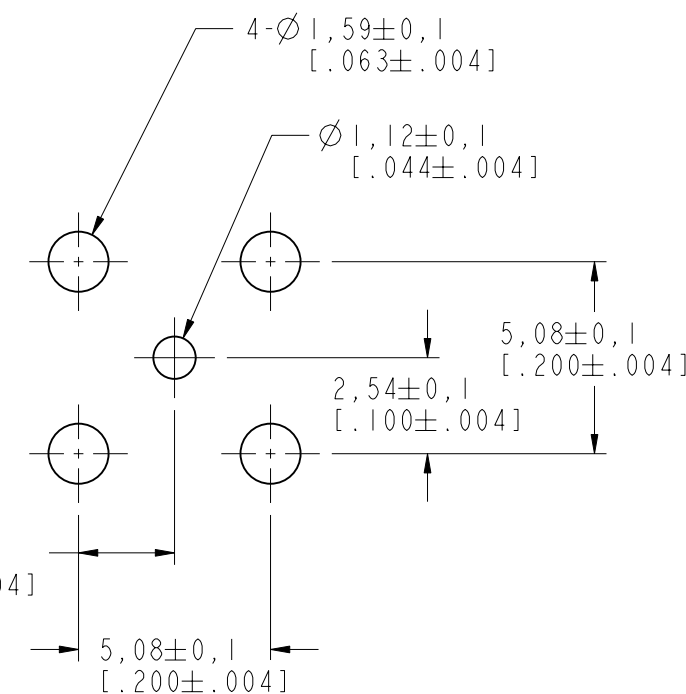
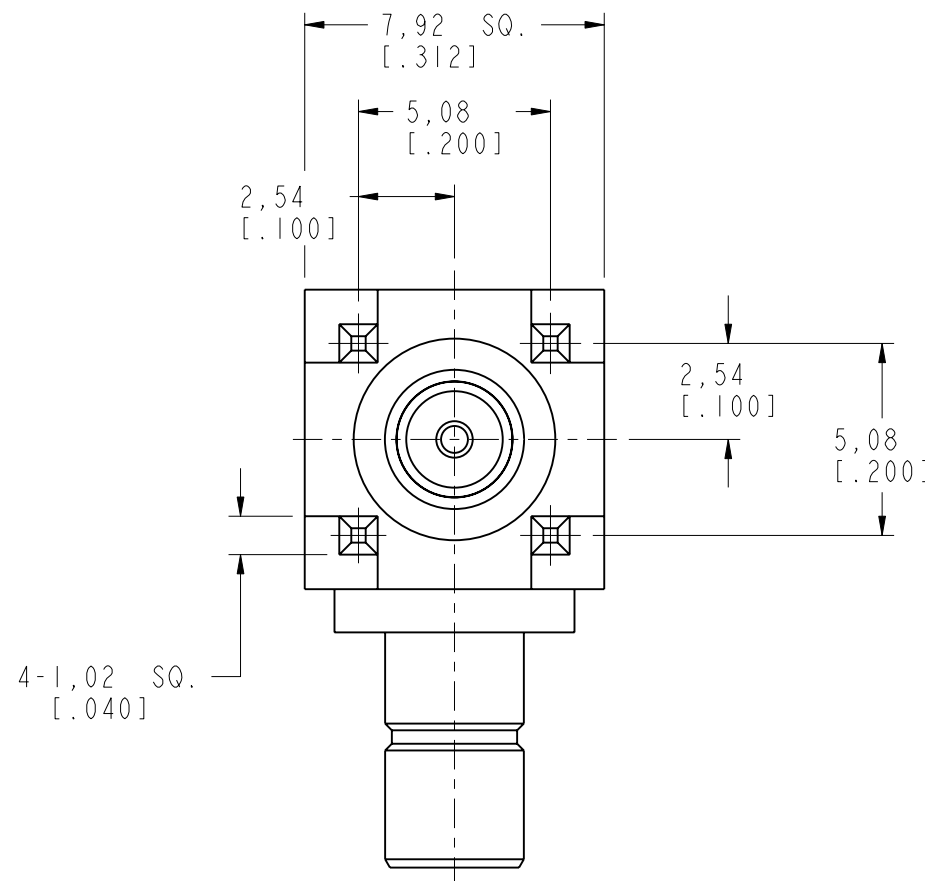
REV	DESCRIPTION	DATE	ECO	APPR
K	ITEM 2 WAS 903-10539-TB	11/8/05	45781	CPM/
L	RELEASE TO MFG. ON KAI JACK	13-May-08	--	RY
M	SEE SHEET 1	29-May-08	--	SH
N	THE PLATING OF BODY WAS CHANGED	14-May-12	49074	SH
P	ADD AN ASSEMBLY DIMENSION \RD-DM12102201F	29-Oct-12	49272	SH



SCALE 2.500



INTERFACE PER MIL-STD-348 SMB SERIES



PCB MOUNTING HOLE

**CUSTOMER OUTLINE DRAWING**

ALL OTHER SHEETS ARE FOR INTERNAL USE ONLY

UNLESS OTHERWISE SPECIFIED, DIMENSIONS ARE IN METRIC AND TOLERANCES ARE: <0.5mm ±0.05mm    0.5 - 6mm ±0.1mm    6 - 30mm ±0.2mm    30 - 120mm ±0.3mm    ANGLES ±1°	MATERIAL	DRAWN S.DUAN	DATE 29-Oct-12	TITLE SMB RT ANGLE JACK 50 OHM PC MOUNT	Amphenol RF www.amphenolrf.com
	REFERENCE EAR 111-71050 615X-846-200	ENGINEER D.HU	DATE 15-May-08		
NOTICE - These drawings, specifications, or other data (1) are, and remain the property of Amphenol corp. (2) must be returned upon request; and (3) are confidential and not to be disclosed to any person other than those to whom they are given by Amphenol Corp. the furnishing of these drawings, specifications, or other data by Amphenol Corp., or to any other person to anyone for any purpose is not to be regarded by implication or otherwise in any manner licensing, granting rights to permitting such holder or any other person to manufacture, use or sell any product, process or design, patented or otherwise, that may in any way be related to or disclosed by said drawings, specifications, or other data.	CONFIGURATION LEVEL:	APPROVED S.HSIEH	DATE 29-Oct-12	SCALE: 5.0:1.0    SHEET 2 OF 2 DWG SIZE B    REV P	
FINISH					

## X-ON Electronics

Largest Supplier of Electrical and Electronic Components

*Click to view similar products for [RF Connectors / Coaxial Connectors](#) category:*

*Click to view products by [Amphenol](#) manufacturer:*

Other Similar products are found below :

[8915-1511-000](#) [89674-0827](#) [6001-7071-019](#) [6002-7051-003](#) [6002-7551-202](#) [6059674-1](#) [619550-1](#) [630059-000](#) [M39030/3-01N](#) [M3933/25-36N](#) [6500-7071-046](#) [6769](#) [CX050L2AQ](#) [7002-1542-011](#) [7004-1512-000](#) [7009-1511-004](#) [7010-1511-000](#) [7029-1511-060](#) [7101-1541-010](#) [7101-1571-002](#) [7105-1521-002](#) [7145-1521-002](#) [7203-1571-003](#) [7209-1511-011](#) [7210-1511-015](#) [7210-1511-019](#) [73137-5015](#) [73216-2241](#) [7325-1512-000](#) [73404-2300](#) [7405-1521-005](#) [7405-1521-802](#) [7406-1521-005](#) [8527](#) [8547](#) [FS11V](#) [8808-1511-001](#) [9049-9513-000](#) [9074-9513-000](#) [9101-9573-002](#) [910A205F](#) [9130-9573-002](#) [PL11SC-026](#) [PL375-33](#) [PL40-5](#) [PL71-9](#) [PL74C-221](#) [PL75MC-217](#) [PL803-7](#) [980-8666-005](#)