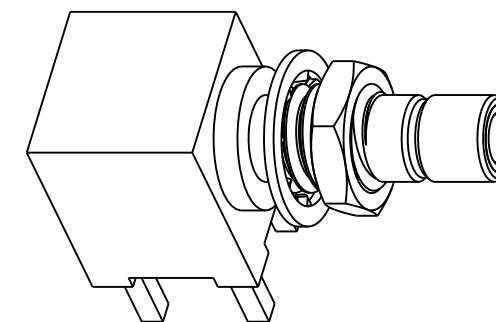


- NOTES:
- MATERIALS AND FINISHES:  
 BODY - BRASS, GOLD PLATING  
 CUBE BODY - BRASS, TIN PLATING  
 CONTACT - BRASS, GOLD PLATING  
 INSULATOR - PTFE
  - MECHANICAL:  
 A. DURABILITY: 500 CYCLES MIN.  
 B. TEMPERATURE RANGE: -65° C TO +165° C
  - PACKAGING:  
 A. QUANTITY: SINGLE PACK  
 B. MARKING: BAG TO BE MARKED  
 "AMPHENOLRF 903-413J-51A, AND DATE CODE"

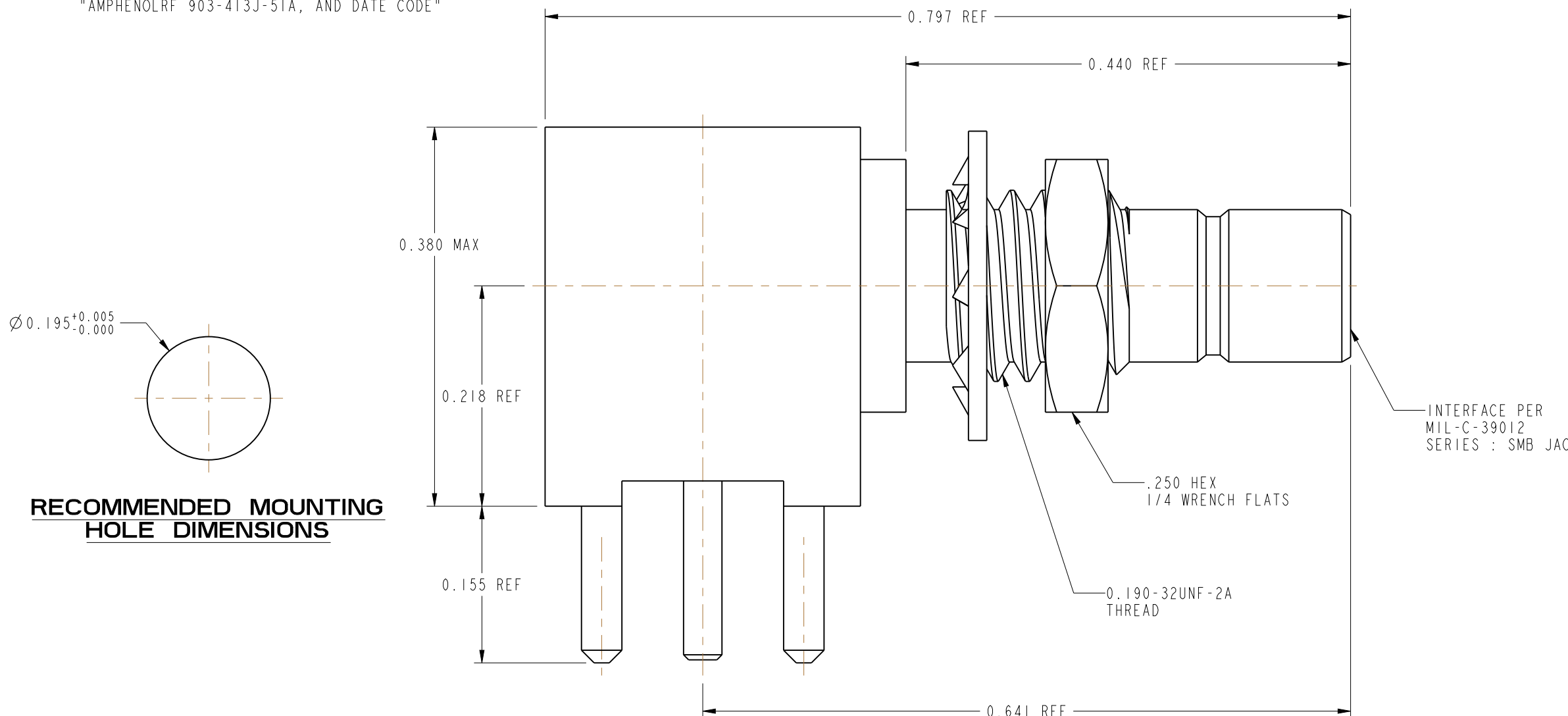
THIRD ANGLE PROJ.

REVISIONS

| REV | DESCRIPTION                | DATE    | ECO   | APPR  |
|-----|----------------------------|---------|-------|-------|
| --  | RELEASED TO MFG.           | -----   | ----- | ----- |
| F   | REDRAW IN PRO E, ADDED COD | 1/14/13 | 48616 | RAK   |



SCALE 3.000



**CUSTOMER OUTLINE DRAWING**  
 ALL OTHER SHEETS ARE FOR INTERNAL USE ONLY

|   |  |                               |                   |  |               |                                   |                      |
|---|--|-------------------------------|-------------------|--|---------------|-----------------------------------|----------------------|
| UNLESS OTHERWISE SPECIFIED, DIMENSIONS ARE IN INCHES AND TOLERANCES ARE:<br>2 PLACE DECIMAL 3 PLACE DECIMAL ANGLES<br>±.015 (0,381 mm) ±.005 (0,127 mm) ± 1°  | MATERIAL   | DRAWN<br>ABHAYA KISHORE       | DATE<br>13-Jun-11 | TITLE<br>SMB RT ANGLE<br>BULKHEAD JACK<br>PC MOUNT |               | Amphenol RF<br>www.amphenolrf.com |                      |
|   | REFERENCE<br>EAR # 111-961560 I<br>615X-1049-200<br>CONFIGURATION LEVEL: | ENGINEER<br>ABHAYA KISHORE    | DATE<br>13-Jun-11 |  |               |                                   |                      |
| NOTICE - These drawings, specifications, or other data (1) are, and remain the property of Amphenol corp. (2) must be returned upon request; and (3) are confidential and not to be disclosed to any person other than those to whom they are given by Amphenol Corp. the furnishing of these drawings, specifications, or other data by Amphenol Corp., or to any other person to anyone for any purpose is not to be regarded by implication or otherwise in any manner licensing, granting rights to permitting such holder or any other person to manufacture, use or sell any product, process or design, patented or otherwise, that may in any way be related to or disclosed by said drawings, specifications, or other data. | FINISH   | APPROVED<br>K. CAPOZZI        | DATE<br>1/14/13   | SCALE: 8.0:1.0                                     | SHEET 2 OF 2  | ITEM NO.903-413J-51A              |                      |
|   |  | H:\PETE\SMB\903\ASSY\413J51A0 |                   |  | DWG SIZE<br>B | REV<br>F                          | PART NO.903-413J-51A |

## X-ON Electronics

Largest Supplier of Electrical and Electronic Components

*Click to view similar products for [RF Connectors / Coaxial Connectors](#) category:*

*Click to view products by [Amphenol](#) manufacturer:*

Other Similar products are found below :

[8915-1511-000](#) [89674-0827](#) [6001-7071-019](#) [6002-7051-003](#) [6002-7551-202](#) [6059674-1](#) [619550-1](#) [630059-000](#) [M39030/3-01N](#) [M3933/25-36N](#) [6500-7071-046](#) [6769](#) [CX050L2AQ](#) [7002-1542-011](#) [7004-1512-000](#) [7009-1511-004](#) [7010-1511-000](#) [7029-1511-060](#) [7101-1541-010](#) [7101-1571-002](#) [7105-1521-002](#) [7145-1521-002](#) [7203-1571-003](#) [7209-1511-011](#) [7210-1511-015](#) [7210-1511-019](#) [73137-5015](#) [73216-2241](#) [7325-1512-000](#) [73404-2300](#) [7405-1521-005](#) [7405-1521-802](#) [7406-1521-005](#) [8527](#) [8547](#) [FS11V](#) [8808-1511-001](#) [9049-9513-000](#) [9074-9513-000](#) [9101-9573-002](#) [910A205F](#) [9130-9573-002](#) [PL11SC-026](#) [PL375-33](#) [PL40-5](#) [PL71-9](#) [PL74C-221](#) [PL75MC-217](#) [PL803-7](#) [980-8666-005](#)