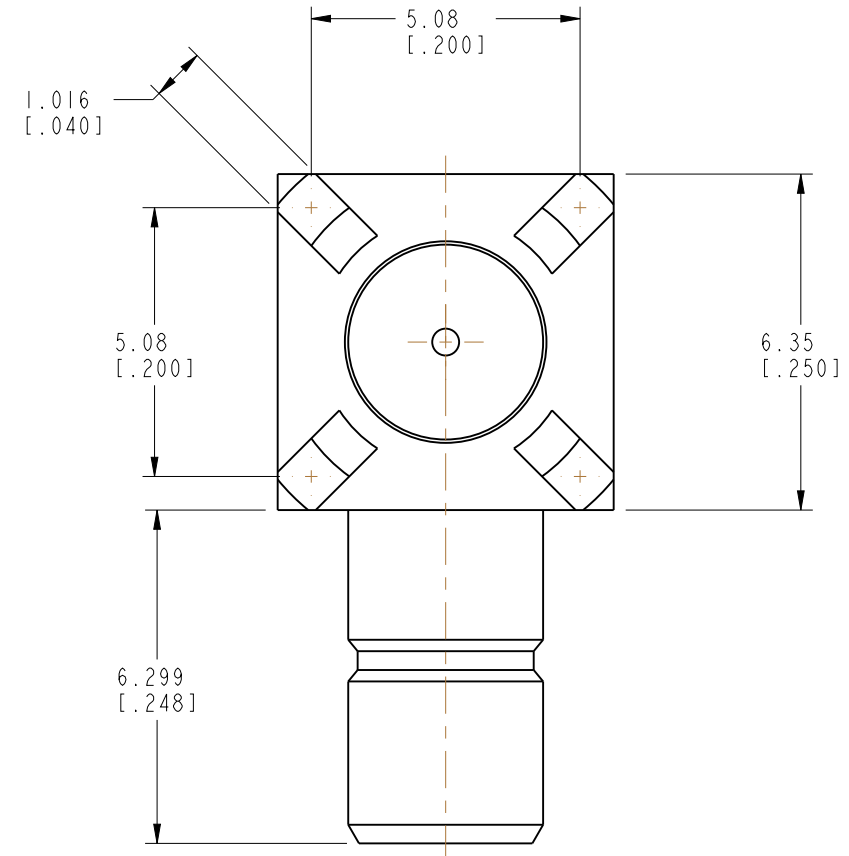
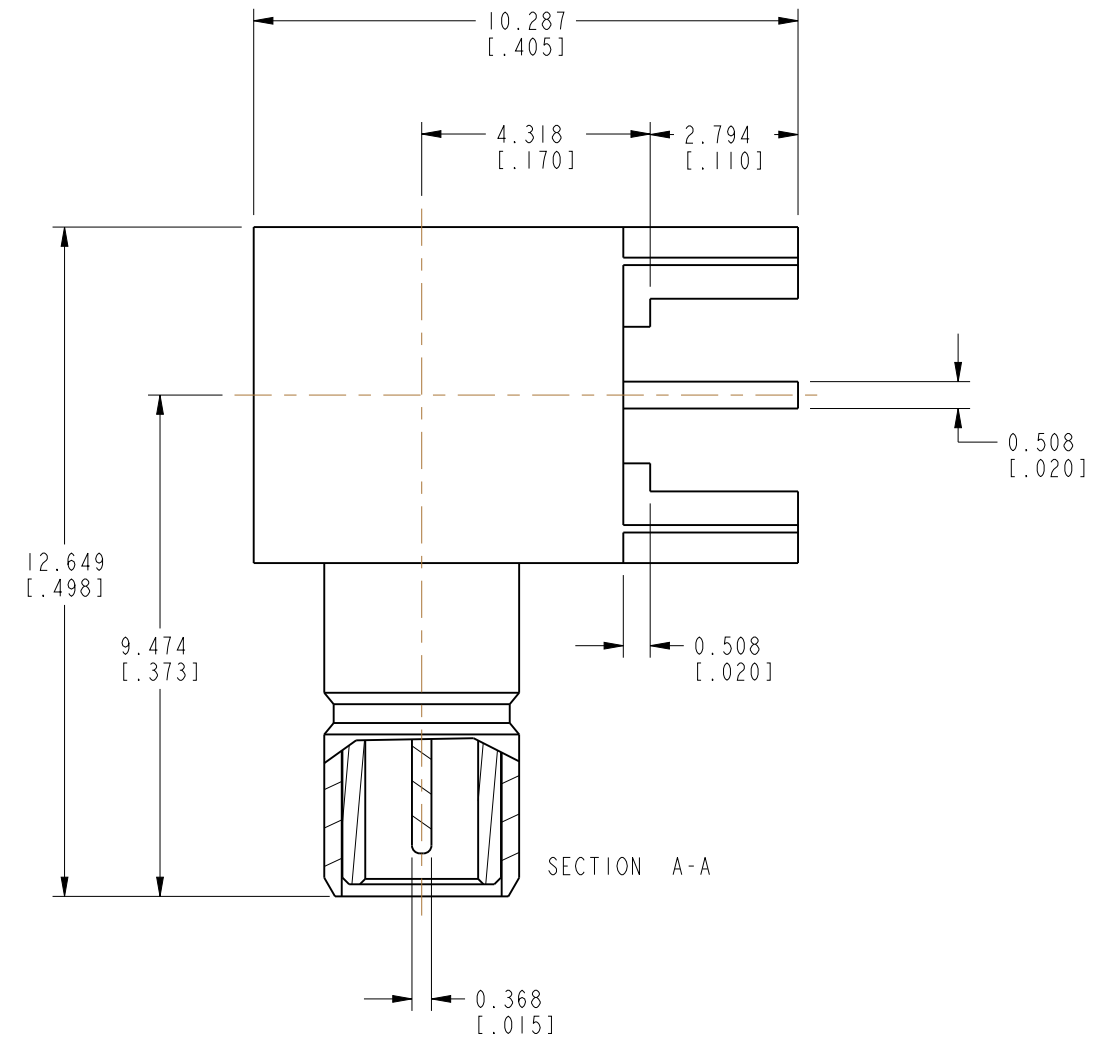


NOTES:  
 1. DO NOT SCALE THIS DRAWING  
 2. MATERIAL AND FINISH:  
 SMB BODY BRASS, GOLD PLATED  
 CUBE BODY BRASS, TIN PLATED  
 INSULATORS TFE FLUOROCARBON  
 CENTER CONTACT BERYLLIUM COPPER, GOLD PLATED

THIRD ANGLE PROJ.

REVISIONS

REV	DESCRIPTION	DATE	ECO	APPR
A	OFFICIAL ENG. RELEASE TO MFG.	11-21-95	41033	PB/
B	REVISED	11-22-95	41066	PB/RV
C	SEE SHEET 1	2-3-05	45292	CPM
D	SEE SHEET 1	10/15/12	49159	EW



**CUSTOMER OUTLINE DRAWING**  
 ALL OTHER SHEETS ARE FOR INTERNAL USE ONLY

UNLESS OTHERWISE SPECIFIED, DIMENSIONS ARE IN METRIC AND TOLERANCES ARE: <0.5mm ±0.05mm    0.5 - 6mm ±0.1mm    6 - 30mm ±0.2mm    30 - 120mm ±0.3mm    ANGLES ±1°	MATERIAL	DRAWN ERIC WANKOFF	DATE 16-Jul-12	TITLE 75 OHM SMB JACK RIGHT ANGLE PC MOUNT	Amphenol RF www.amphenolrf.com
	REFERENCE EAR 111-965016 AT&T KS-24190, LI ISSUE 1 615X-1374-200	ENGINEER P. BRENZEL	DATE 10-26-95		
	FINISH	APPROVED K. CAPOZZI	DATE 8/15/12	ITEM NO. 903-519J-71P	
		CAD FILE	SCALE: 7.0:1.0	SHEET 2 OF 2	PART NO. 903-519J-71P

## X-ON Electronics

Largest Supplier of Electrical and Electronic Components

*Click to view similar products for [RF Connectors / Coaxial Connectors](#) category:*

*Click to view products by [Amphenol](#) manufacturer:*

Other Similar products are found below :

[8915-1511-000](#) [89674-0827](#) [6001-7071-019](#) [6002-7051-003](#) [6002-7551-202](#) [6059674-1](#) [619550-1](#) [630059-000](#) [M39030/3-01N](#) [M3933/25-36N](#) [6500-7071-046](#) [6769](#) [CX050L2AQ](#) [7002-1542-011](#) [7004-1512-000](#) [7009-1511-004](#) [7010-1511-000](#) [7029-1511-060](#) [7101-1541-010](#) [7101-1571-002](#) [7105-1521-002](#) [7145-1521-002](#) [7203-1571-003](#) [7209-1511-011](#) [7210-1511-015](#) [7210-1511-019](#) [73137-5015](#) [73216-2241](#) [7325-1512-000](#) [73404-2300](#) [7405-1521-005](#) [7405-1521-802](#) [7406-1521-005](#) [8527](#) [8547](#) [FS11V](#) [8808-1511-001](#) [9049-9513-000](#) [9074-9513-000](#) [9101-9573-002](#) [910A205F](#) [9130-9573-002](#) [PL11SC-026](#) [PL375-33](#) [PL40-5](#) [PL71-9](#) [PL74C-221](#) [PL75MC-217](#) [PL803-7](#) [980-8666-005](#)