

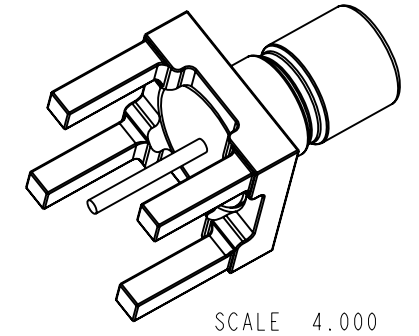
NOTES:

1. MATERIALS AND FINISHS:
 BODY: ZINC DIE-CAST, GOLD PLATED
 CONTACT: BRASS, GOLD PLATED
 INSULATOR: TFE FLUOROCARBON
2. ELECTRICAL:
 A. IMPEDANCE: 75 OHM
 B. FREQUENCY RANGE: 0-2 GHz
 C. DIELECTRIC WITHSTANDING VOLTAGE: 1000 VRMS MIN
 D. INSULATION RESISTANCE: 1000 MEGOHMS
3. MECHANICAL:
 DURABILITY: 500 CYCLES MIN
 TEMPERATURE RANGE: -65°C TO 165°C
4. PACKAGING:
 MARKING: "AMPHENOL 903-581J-71P, QTY, WORK ORDER #, AND DATE CODE"

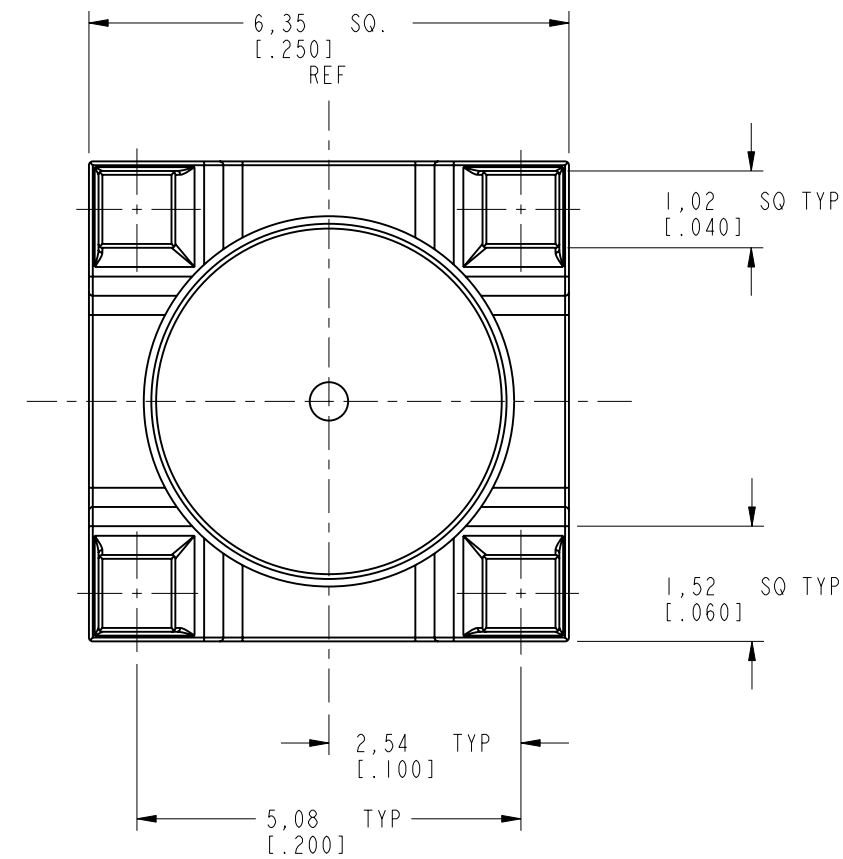
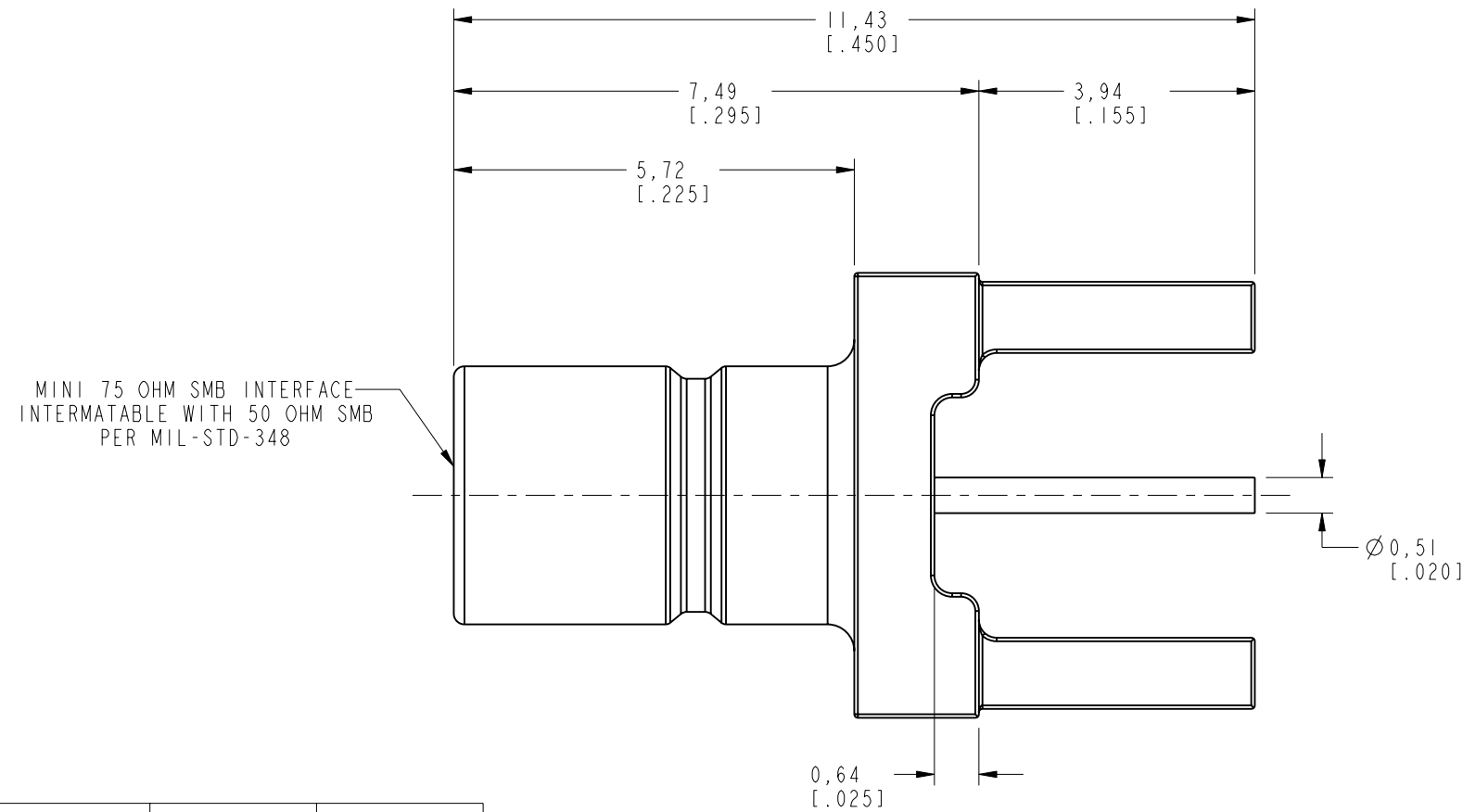
THIRD ANGLE PROJ.

REVISIONS

REV	DESCRIPTION	DATE	ECO	APPR
A	RELEASE TO MFG	10/7/99	43145	PB/TA
B	SEE SHEET I	7/14/00	43432	CPM
C	SEE SHEET I	9/13/00	43506	CPM/ORB
D	UPDATED NOTES	2/21/01	43680	CPM
E	SEE SHEET I	9/12/05	45701	CPM
F	TRANSFER TO ARFA	04-May-12	48746	SH
G	ADD ASSEMBLE STANDARD	29-Oct-12	49272	SH



SCALE 4.000



PART NUMBER	PACKAGING	STATUS
903-581J-71P	TRAY/COVER	
903-581J-71PB	BULKPACK 200 PCS.	OBS

CUSTOMER OUTLINE DRAWING

ALL OTHER SHEETS ARE FOR INTERNAL USE ONLY

UNLESS OTHERWISE SPECIFIED, DIMENSIONS ARE IN METRIC AND TOLERANCES ARE: < 0.5mm ± 0.05mm 0.5 - 6mm ± 0.1mm 6 - 30mm ± 0.2mm 30 - 120mm ± 0.3mm ANGLES ± 1°	MATERIAL	DRAWN J. SHAO	DATE 27-Apr-12	TITLE MINI 75 OHM SMB JACK PC MOUNT	Amphenol RF Danbury CT USA, Tainan, Taiwan, Shenzhen, China www.amphenolrf.com
	REFERENCE EAR # 102-967217-1 AND	ENGINEER P. BRENZEL	DATE 9/13/00		
NOTICE - These drawings, specifications, or other data (1) are, and remain the property of Amphenol corp. (2) must be returned upon request; and (3) are confidential and not to be disclosed to any person other than those to whom they are given by Amphenol Corp. the furnishing of these drawings, specifications, or other data by Amphenol Corp., or to any other person to anyone for any purpose is not to be regarded by implication or otherwise in any manner licensing, granting rights to permitting such holder or any other person to manufacture, use or sell any product, process or design, patented or otherwise, that may in any way be related to or disclosed by said drawings, specifications, or other data.	CONFIGURATION LEVEL: <input type="checkbox"/> <input type="checkbox"/> <input type="checkbox"/>	APPROVED S. HSIHE	DATE 27-Apr-12	SCALE: 10.0:1.0 SHEET 2 OF 2	ITEM NO. 903-581J-71PX
	FINISH	I: /SMB/903-581J-71PX	CAD FILE	DWG SIZE B	REV G

X-ON Electronics

Largest Supplier of Electrical and Electronic Components

Click to view similar products for [RF Connectors / Coaxial Connectors](#) category:

Click to view products by [Amphenol](#) manufacturer:

Other Similar products are found below :

[8915-1511-000](#) [89674-0827](#) [6001-7071-019](#) [6002-7051-003](#) [6002-7551-202](#) [6059674-1](#) [619550-1](#) [630059-000](#) [M39030/3-01N](#) [M3933/25-36N](#) [6500-7071-046](#) [6769](#) [CX050L2AQ](#) [7002-1542-011](#) [7004-1512-000](#) [7009-1511-004](#) [7010-1511-000](#) [7029-1511-060](#) [7101-1541-010](#) [7101-1571-002](#) [7105-1521-002](#) [7145-1521-002](#) [7203-1571-003](#) [7209-1511-011](#) [7210-1511-015](#) [7210-1511-019](#) [73137-5015](#) [73216-2241](#) [7325-1512-000](#) [73404-2300](#) [7405-1521-005](#) [7405-1521-802](#) [7406-1521-005](#) [8527](#) [8547](#) [FS11V](#) [8808-1511-001](#) [9049-9513-000](#) [9074-9513-000](#) [9101-9573-002](#) [910A205F](#) [9130-9573-002](#) [PL11SC-026](#) [PL375-33](#) [PL40-5](#) [PL71-9](#) [PL74C-221](#) [PL75MC-217](#) [PL803-7](#) [980-8666-005](#)