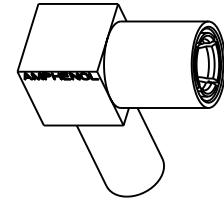


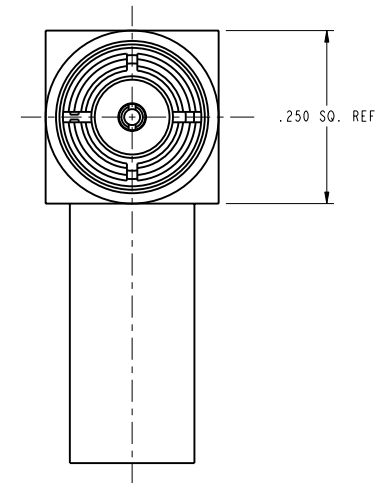
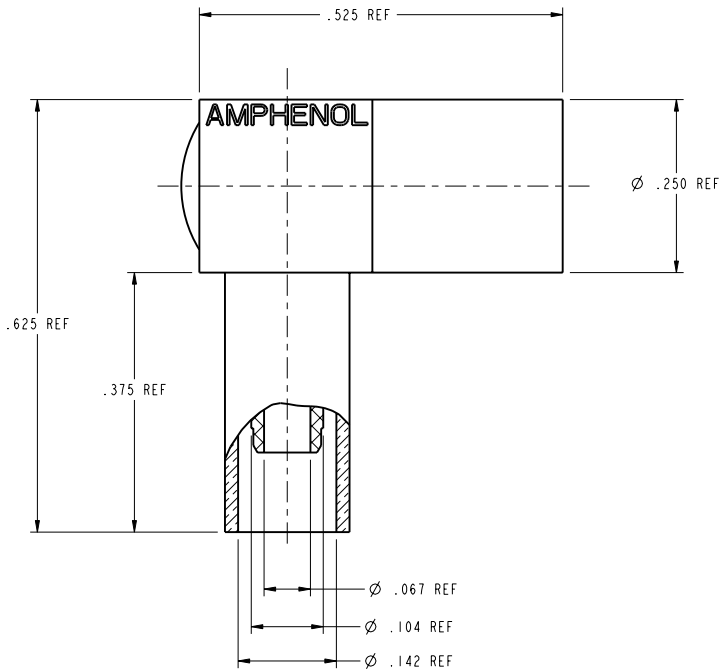
NOTE:

- MATERIALS OF CONSTRUCTION:  
 CUBE BODY = ZINC DIE CAST, NICKEL PLATED  
 BODY & CAP = BRASS, NICKEL PLATED  
 FEMALE CONTACT = BeCu, GOLD PLATED  
 SPRING RING = BeCu, NICKEL PLATED  
 FERRULE = SEAMLESS COPPER TUBING, NICKEL PLATED  
 INSULATOR = TFE FLUOROCARBON, ASTM D 1457
- FOR ASSEMBLY INSTRUCTIONS SEE AMPHENOL SPEC. 349-50521, SHEET 3.

903-599P-71A		REVISIONS		
DRAWING NO.	REV	DESCRIPTION	DATE	ECO
THIRD ANGLE PROJ.	A	RELEASE TO MFG.	3/1/01	43690
				CPM



SCALE 3.000



CUSTOMER OUTLINE DRAWING  
 ALL OTHER SHEETS ARE FOR INTERNAL USE ONLY

UNLESS OTHERWISE SPECIFIED, DIMENSIONS ARE IN INCHES AND TOLERANCES ARE:  
 2 PLACE DECIMAL 3 PLACE DECIMAL ANGLES  
 ±.015 (0.381 mm) ±.005 (0.127 mm) ± 1°

NOTICE - These drawings, specifications, or other data (1) are, and remain the property of Amphenol Corp. (2) must be returned upon request; and (3) are confidential and not to be disclosed to any person other than those to whom they are given by Amphenol Corp. The furnishing of these drawings, specifications, or other data by Amphenol Corp., or to any other person to anyone for any purpose is not to be regarded by implication or otherwise in any manner licensing, granting rights or permitting such holder or any other person to manufacture, use or sell any product, process or design, patented or otherwise, that may in any way be related to or disclosed by said drawings, specifications, or other data.

MATERIAL

REFERENCE  
 EAR# 161  
 GEN# ASSYM12.SMB

DRAWN  
 C. McGRATH

ENGINEER  
 O. BARTHELMES

APPROVED  
 O. BARTHELMES

CAD FILE  
 I:\SMB\903-599P-71A

DATE  
 13-Feb-01

DATE  
 13-Feb-01

DATE  
 2/14/01

TITLE  
 MINI-75 OHM  
 SMB R/A PLUG  
 FOR RD-179 CABLE

CODE ID  
 74868

DWG SIZE  
 B

DRAWING NO.  
 903-599P-71A

**Amphenol**  
 Amphenol Corporation  
 Communication and Network  
 Products Division  
 Danbury, CT U.S.A. 06810

SCALE: 6.0:1 SHEET 2 OF 2

REV  
 A

## X-ON Electronics

Largest Supplier of Electrical and Electronic Components

*Click to view similar products for [RF Connectors / Coaxial Connectors](#) category:*

*Click to view products by [Amphenol](#) manufacturer:*

Other Similar products are found below :

[8915-1511-000](#) [89674-0827](#) [6001-7071-019](#) [6002-7051-003](#) [6002-7551-202](#) [6059674-1](#) [619550-1](#) [630059-000](#) [M39030/3-01N](#) [6500-7071-046](#) [6769](#) [CX050L2AQ](#) [7002-1542-011](#) [7004-1512-000](#) [7009-1511-004](#) [7010-1511-000](#) [7029-1511-060](#) [7101-1541-010](#) [7101-1571-002](#) [7105-1521-002](#) [7145-1521-002](#) [7203-1571-003](#) [7209-1511-011](#) [7210-1511-015](#) [7210-1511-019](#) [73137-5015](#) [73216-2241](#) [7325-1512-000](#) [73404-2300](#) [7405-1521-005](#) [7405-1521-802](#) [7406-1521-005](#) [8527](#) [8547](#) [FS11V](#) [8808-1511-001](#) [9049-9513-000](#) [9074-9513-000](#) [9101-9573-002](#) [910A205F](#) [9130-9573-002](#) [PL11SC-026](#) [PL375-33](#) [PL40-5](#) [PL71-9](#) [PL74C-221](#) [PL75MC-217](#) [PL803-7](#) [980-8666-005](#) [1200690078](#)