

1

2

3

4

5

6

A

B

C

D

E

F

A

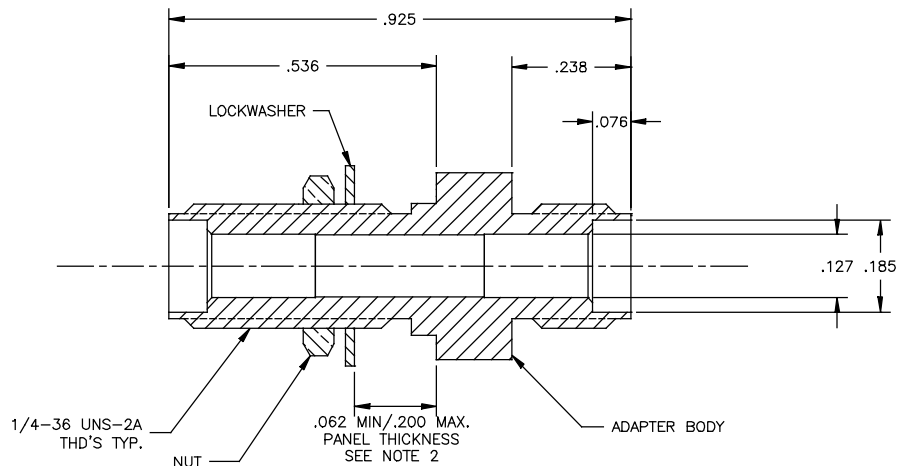
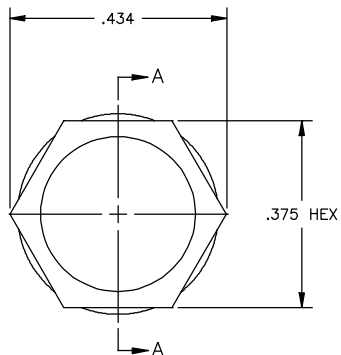
B

C

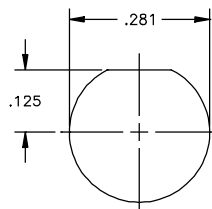
D

E

F



VIEW A-A



RECOMMENDED MOUNTING HOLE SEE NOTE 5

- GEN NOTES:
- COMPONENTS SHALL BE RoHS COMPLIANT & MEET AMPHENOL REGULATED MATERIAL SPECIFICATIONS 949-1604.
 - EACH ADAPTER ASSEMBLY TO BE SUPPLIED IN A BAG STAMPED, "AMPHENOL P/N 905-120-5000".
 - LOCKWASHER AND NUT ARE SHIPPED LOOSE IN THE PACKAGING BAG.
 - ASSEMBLY IS RoHS COMPLIANT.
 - TECHNICAL INFORMATION FOR CUSTOMER APPLICATION ONLY. NOT FOR Q.A. INSPECTION.
 - MATERIALS:

ADAPTER BODY	BRASS, NICKEL PLATED
NUT	BRASS, NICKEL PLATED
LOCKWASHER	STAINLESS STEEL
DUST CAPS	VINYL, UL94 V0 (NOT SHOWN)



UNLESS OTHERWISE SPECIFIED TOLERANCE TO BE	
LINEAR	ANGULAR
X.X ± .5	X° ± 1°
X.XX ± 0.10	X'X" ± 30'
X.XXX ± 0.050	X'X'X" ± 15'

NOTE - These drawings, specifications, or other data (1) are remain the property of Amphenol Corporation, (2) must be returned upon request and (3) are confidential and are not to be disclosed to any person other than those to whom they are given by Amphenol Corporation, or by any other person, for any purpose is not to be regarded by implication or otherwise as in any manner licensing, granting rights or permitting such holder or any other person to manufacture, use or sell any products, process or design, patented or otherwise, that may in any way be related to or disclosed by said drawings, specifications or other data.

MATL:	SEE NOTE 6	DRN:	ROYCE	DATE:	7/07/76	
BREAK ALL SHARP EDGES AND REMOVE ALL BURRS	FINISH:	---	CKD:	J. MAKUCH	DATE:	7/09/76
DO NOT SCALE	REF.:		APVD:	M. SLADEK	DATE:	7/10/76

REV.	DESCRIPTION	APVD	DATE	ECO No
L	UPDATED VIEW	SG	12/20/11	E11-0459
K	PUT DIMENSIONS FROM OLDER REVISION BACK ON.	SG	10/27/11	E11-0395
J	CORRECTED UNITS STYLE	SG	07/26/11	E11-0293
H	INSERT NEW STYLE BORDER AND NOTE STANDARDS	SG	07/25/11	E11-0284
G	UPDATED AND REDRAWN TO REFLECT UPDATED ASSMBLY		5/10/91	
A	FIRST ISSUE			

TITLE: ADAPTER, STANDARD Smart

Amphenol
FIBER OPTIC PRODUCTS

2100 Western Court, Suite 300, Little L, 60532, USA
DRAWING NO. **905-120-5000** SHEET 1 OF 1

DIMENSIONS IN INCHES	THIRD ANGLE PROJECTION	SCALE:	NTS	PART No:	905-120-5000	SIZE:	A3
----------------------	------------------------	--------	-----	----------	---------------------	-------	----

1

2

3

4

5

6

X-ON Electronics

Largest Supplier of Electrical and Electronic Components

Click to view similar products for [Fibre Optic Connectors](#) category:

Click to view products by [Amphenol](#) manufacturer:

Other Similar products are found below :

[0004700001](#) [6100-R](#) [6313](#) [F709722200](#) [F709730000](#) [F718183204](#) [F727403500](#) [F727752800](#) [8119](#) [9440F20-27S-190](#) [944-120-6001](#)
[9441F10SL-3S](#) [9444W28-21S](#) [9444W36-10S](#) [9446W20-16S](#) [953-101-5310-P](#) [954-101-57202B](#) [A0270169](#) [12-9122](#) [12-5702](#) [AX101713](#)
[AX102420](#) [AX103923](#) [AX104024](#) [AX104193](#) [AX104230](#) [AX104562](#) [AX105203-B25](#) [AX105205-S1](#) [EHSC2M](#) [17-300800](#) [181-011-126](#)
[181-011-S](#) [181-057-126](#) [NKSOPBUY](#) [20500002116](#) [2064996-1](#) [20800001065](#) [2170](#) [9132](#) [2612](#) [2620](#) [9291](#) [9440F16-10S](#) [9440F20-18S](#)
[9444W32-73S](#) [9446F16-10S-190](#) [953-106-50231](#) [953-120-5003](#) [955-120-5110](#)