

1 2 3 4 5 6

A A

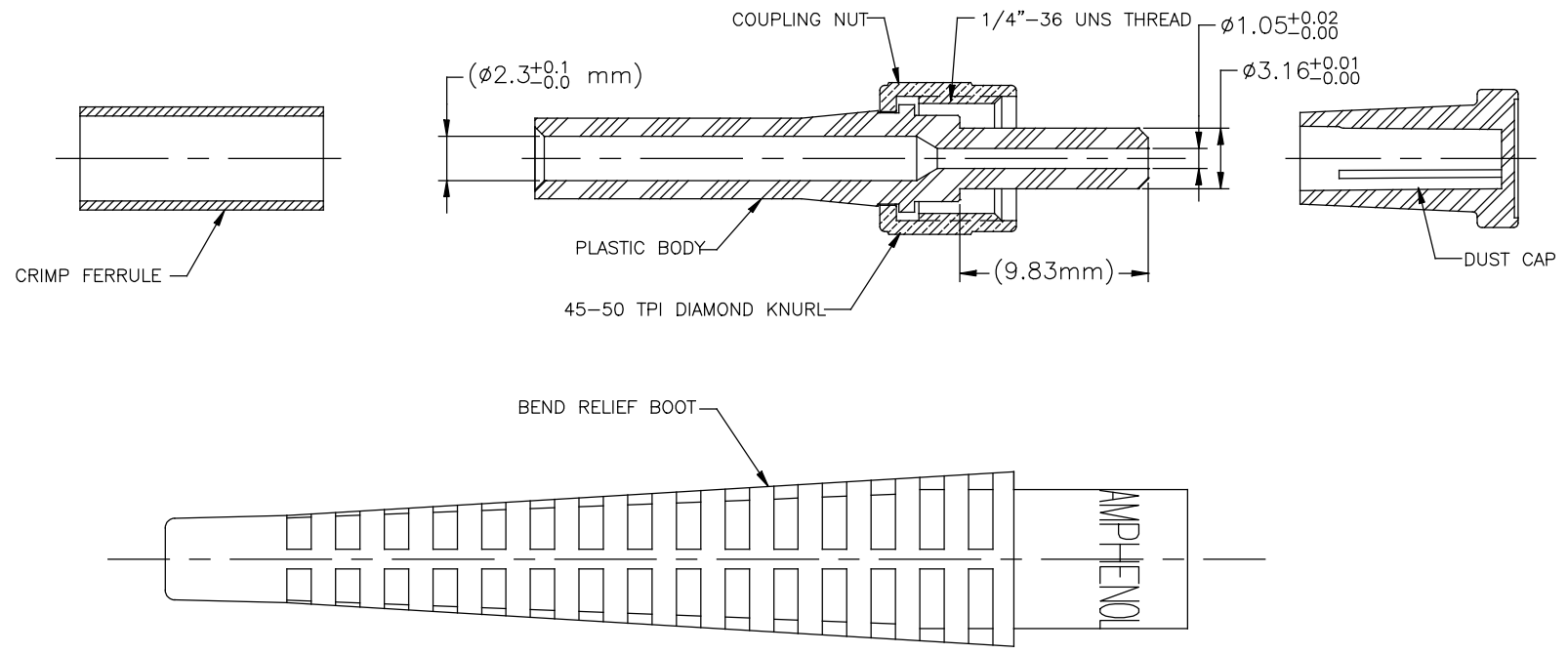
B B

C C

D D

E E

F F



- GEN NOTES:
- PART AS SHIPPED CONTAINS CONNECTOR WITH COUPLING NUT AND DUST CAP ASSEMBLED ONTO CONNECTOR, CRIMP AND BOOT.
  - PART IS INDIVIDUALLY PACKED. A (-P) SUFFIX INDICATES BULK PACK/100 PIECES.
  - COMPONENTS ARE RoHS COMPLIANT & MEET AMPHENOL REGULATED MATERIAL SPECIFICATIONS 949-1604
  - MATERIALS:
    - FERRULE BODY: POM THERMOPLASTIC
    - KNURLED COUPLING NUT: NICKEL PLATED BRASS
    - STRAIN RELIEF BOOT & DUST CAP: THERMOPLASTIC ELASTOMER
    - CRIMP FERRULE: NICKEL PLATED COPPER ALLOY



UNLESS OTHERWISE SPECIFIED TOLERANCE TO BE	
LINEAR	ANGULAR
X.X ± 0.5	X° ± 1'
X.XX ± 0.10	X'X" ± 30'
X.XXX ± 0.050	X'X'X" ± 15'

BREAK ALL SHARP EDGES AND REMOVE ALL BURRS

DO NOT SCALE

DIMENSIONS IN MILLIMETERS

NOTICE - These drawings, specifications, or other data (1) are remain the property of Amphenol Corporation. (2) must be returned upon request and (3) are confidential and are not to be disclosed to any person other than those to whom they are given by Amphenol Corporation, or by any other person to anyone for any purpose is not to be regarded by implication or otherwise as in any manner licensing, granting rights or permitting such holder or any other person to manufacture, use or sell any products, process or designs, patented or otherwise, that may in any way be related to or disclosed by add drawings, specifications or other data.	
MATL: SEE NOTES	DRN: S. LEE DATE: 5/01/87
FINISH: ---	CKD: R. FARHADIEH DATE: 5/01/87
REF.:	APVD: G. SELLERS DATE: 5/01/87
SCALE: NTS	PART No: 905-149-5001

D	CHANGE THE DIMENSION FROM #0.645+0.01/-0.00 TO 1.05+0.02/-0.00	SG	05/07/14	E14-0171
C	ADDED NOTE 4	SG	07/03/13	E13-0092
B	CORRECTED DUST CAP SHOWN UPDATED BORDER	SG	01/29/13	E13-0039
A	FIRST ISSUE	GJS	5/02/87	E9-87
REV.	DESCRIPTION	APVD	DATE	ECO No

TITLE:  
CONN, PLASTIC  
1000um FIBER

**Amphenol**  
FIBER OPTIC PRODUCTS  
2100 Western Court, Suite 300, Lake, IL, 60532, USA

DRAWING NO. **905-149-5001** SHEET 1 OF 1

1 2 3 4 5 6

## X-ON Electronics

Largest Supplier of Electrical and Electronic Components

*Click to view similar products for [Fibre Optic Connectors](#) category:*

*Click to view products by [Amphenol](#) manufacturer:*

Other Similar products are found below :

[0004700001](#) [6100-R](#) [6313](#) [F709722200](#) [F709730000](#) [F718183204](#) [F727403500](#) [F727752800](#) [8119](#) [9440F20-27S-190](#) [944-120-6001](#)  
[9441F10SL-3S](#) [9444W28-21S](#) [9444W36-10S](#) [9446W20-16S](#) [953-101-5310-P](#) [954-101-57202B](#) [A0270169](#) [12-9122](#) [12-5702](#) [AX101713](#)  
[AX102420](#) [AX103923](#) [AX104024](#) [AX104193](#) [AX104230](#) [AX104562](#) [AX105203-B25](#) [AX105205-S1](#) [EHSC2M](#) [17-300800](#) [181-011-126](#)  
[181-011-S](#) [181-057-126](#) [NKSOPBUY](#) [20500002116](#) [2064996-1](#) [20800001065](#) [2170](#) [9132](#) [2612](#) [2620](#) [9291](#) [9440F16-10S](#) [9440F20-18S](#)  
[9444W32-73S](#) [9446F16-10S-190](#) [953-106-50231](#) [953-120-5003](#) [955-120-5110](#)