



PIN PLATING CODES:	
XXXXX-1YY	30u"/0.76u MIN (SEE NOTE 13) OVER 50u"/1.27u MIN NI
XXXXX-2YY	15u"/0.38u MIN (SEE NOTE 13) OVER 50u"/1.27u MIN NI
XXXXX-3YY	50u"/1.27u MIN (SEE NOTE 13) OVER 50u"/1.27u MIN NI
XXXXX-4YY	100u"/2.54u MIN Sn OVER 50u"/1.27u MIN NI (SEE NOTE 14)
XXXXX-5YY	15u"/0.38u MIN (SEE NOTE 13) OVER 50u"/1.27u MIN NI
XXXXX-6YY	30u"/0.76u MIN (SEE NOTE 13) OVER 50u"/1.27u MIN NI
XXXXX-7YY	30u"/0.76u MIN (SEE NOTE 13) OVER 50u"/1.27u MIN NI
XXXXX-8YY	15u"/0.38u MIN (SEE NOTE 13) OVER 50u"/1.27u MIN NI
XXXXX-9YY	15u"/0.38u MIN (SEE NOTE 13) OVER 50u"/1.27u MIN NI
XXXXX-0YY	30u"/0.76u MIN (SEE NOTE 13) OVER 50u"/1.27u MIN NI

**NOTES**

1. PART NUMBER OPTIONS:

PIN PLATING CODES (SEE ABOVE)

PART NUMBERS WITH AND WITHOUT "H" WILL BE SUPPLIED WITH HIGH TEMPERATURE PLASTIC

ANY NUMBER OF POSITIONS FROM 1 THRU 36.

-X00H INDICATES BERGSTRIIP PRODUCT. SEE PAGE 3 FOR SPECIAL GEOMETRY OF THIS CONTINUOUS STRIP PRODUCT.

AUTOMATED REELS WILL CONTAIN 36,000 PINS.

SEE SPECIFIC PART NUMBERS FOR AVAILABILITY.

PACKAGING :

NO INDICATOR IS STANDARD PACKAGING IN POLY BAGS.

EIGHT DIGIT PART NUMBERS FOLLOWED BY A "T" ARE PACKAGED IN TUBES. SEE SPECIFIC PART NUMBERS FOR AVAILABILITY.

EIGHT DIGIT PART NUMBERS FOLLOWED BY A "C" ARE PACKAGED IN TUBES WITH PICKUP CAP APPLIED. (NOT TIDLED)

BERGSTRIIP PART NUMBERS FOLLOWED BY "A" OR "B" ARE BULK PRICED.

EIGHT DIGIT PART NUMBERS FOLLOWED BY A "A" ARE PACKAGED IN TAPE AND REEL WITH PICKUP CAP APPLIED.

LEAD FREE :

ADD "LF" SUFFIX AT THE END OF PART NUMBER FOR LEAD FREE BODY MATERIAL :

BERGSTRIIP: MANUFACTURER'S OPTION OF NYLON, PCT GLASS FIBER REINFORCED, OR LCP MINERAL FILLED FLAME RETARDENT PER UL-94V-0.

COLOR : BLACK

BERGSTRIIP : REDUCED WITH HIGH TEMPERATURE LCP FLAME RETARDENT PER UL-94V-0.

THEMOPLASTIC FLAME RETARDENT PER UL-94V-0.

COLOR : BLACK

PART NUMBERS WITH AND WITHOUT "H" SUFFIX WILL WITHSTAND EXPOSURE TO 260°C PEAK TEMPERATURE FOR 20 SECONDS IN WAVE SOLDER, INFRA-RED OR VAPOR PHASE SOLDER PROCESS.

Copyright FCI



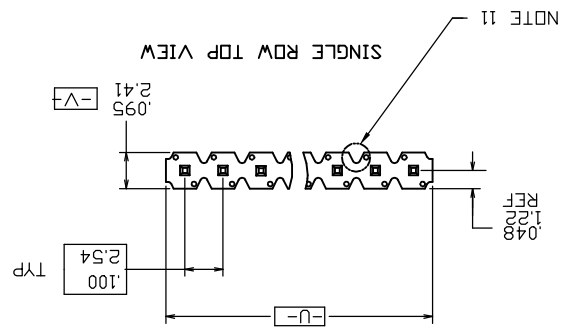
www.fciconnect.com		TOLERANCES UNLESS OTHERWISE SPECIFIED		ISD 1302		SURFACE	
ANGULAR		±0.3		±0.3		SIZE	
LINEAR		±0.15		±0.15		SIZE	
° ±0.05		±0.05		±0.05		ECN	
Appr		THANNA		01/05/95		Product family	
Cmr		JIMRPHY		01/05/95		BERGSTRIIP	
Eng		THANNA		01/05/95		Spec ref	
Dsr		T.BREWBAKER		01/05/95		Title	
Rev.		DC		68000		ding no	
CUSTOMER		sheet 2 of 8		catalog no		4	

- PIN MATERIAL : PHOS-BRONZE.
- MEASURED WITH PART IN RESTRAINED CONDITION.
- TWO SIDES OF PIN TIPS NOT PLATED. TYPICAL BOTH ENDS.
- 2LBS/0.9KG MIN PIN RETENTION IN EITHER DIRECTION.
- PIN CANNOT PROTRUDE PAST EDGE OF HOUSING. MUST BE 0.05±.005/±.13 FROM END OF HOUSING HOLE.
- MILITARY BERGSTRIIP HEADER P/N XXXXX-XY-MIL.
- NOT AVAILABLE.
- ±0.10/0.25 TOL APPLIES TO ALL "G" TAILS EXCEPT INDICATED PARTS ON TABLE WHERE +0.10/0.25 - .000/0.00 APPLIES.
- INDICATED PART NUMBERS ARE PRODUCED AND SOLD IN THE TAIWAN/SINGAPORE AREAS. THESE ARE NOT AVAILABLE IN BERGSTRIIP CONTINUOUS STRIP.
- NOTCH CONFIGURATION WILL VARY PER VENDOR'S DISCRETION.
- THESE PRODUCTS MEETS EUROPEAN UNION DIRECTIVES AND OTHER COUNTRY REGULATION AS DESCRIBED IN GS-22-008.
- PLATING OPTIONS:
- PERFORMANCE PLATING WILL BE EITHER GOLD OR GXT ON POST OR TAIL. OPTIONALLY (78~295u"/2~7.5u) TIN ON TAIL.
- THIS PRODUCT HAS 100% TIN PLATING IN THE INTERFACE AND HAS NOT BEEN TESTED FOR WHISKER GROWTH IN ALL INTERCONNECT ENVIRONMENTS.
- THE DAL DON'T EXCEED 34.5mm
- INCREMENTS BY 0.1mm IN LENGTHS ONLY
- FOR SPECIAL PACKAGING REQUEST PLEASE CONTACT PRODUCT MANAGER FOR AVAILABILITY
- TO DETERMINE DIMENSIONS:
- NUMBER OF POSITION PER ROW
- EXAMPLE: 10 POS. N X .100/2.54
- 68000-406160035ALF IS SPECIAL PART NUMBER, IT IS 6PIN, MATING LENGTH IS 16mm. TAIL LENGTH IS 3.5mm. AND PACKAGE IS TAPE AND REEL AND NO CAP.

A B C D

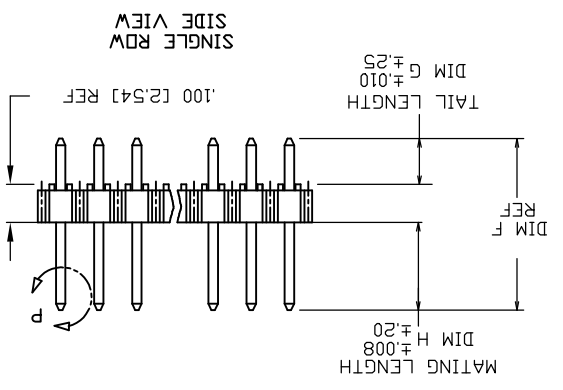


BERGSTRIPTM HEADER



SINGLE ROW TOP VIEW

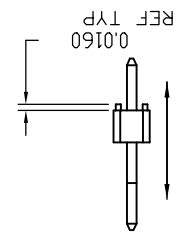
NOTE 11



SINGLE ROW SIDE VIEW

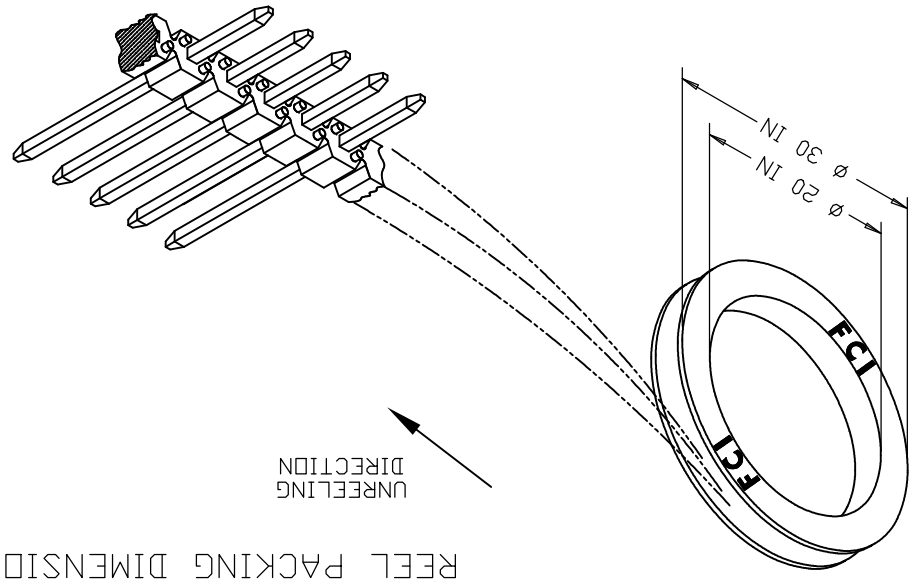
SINGLE ROW END VIEW

NOTE 6

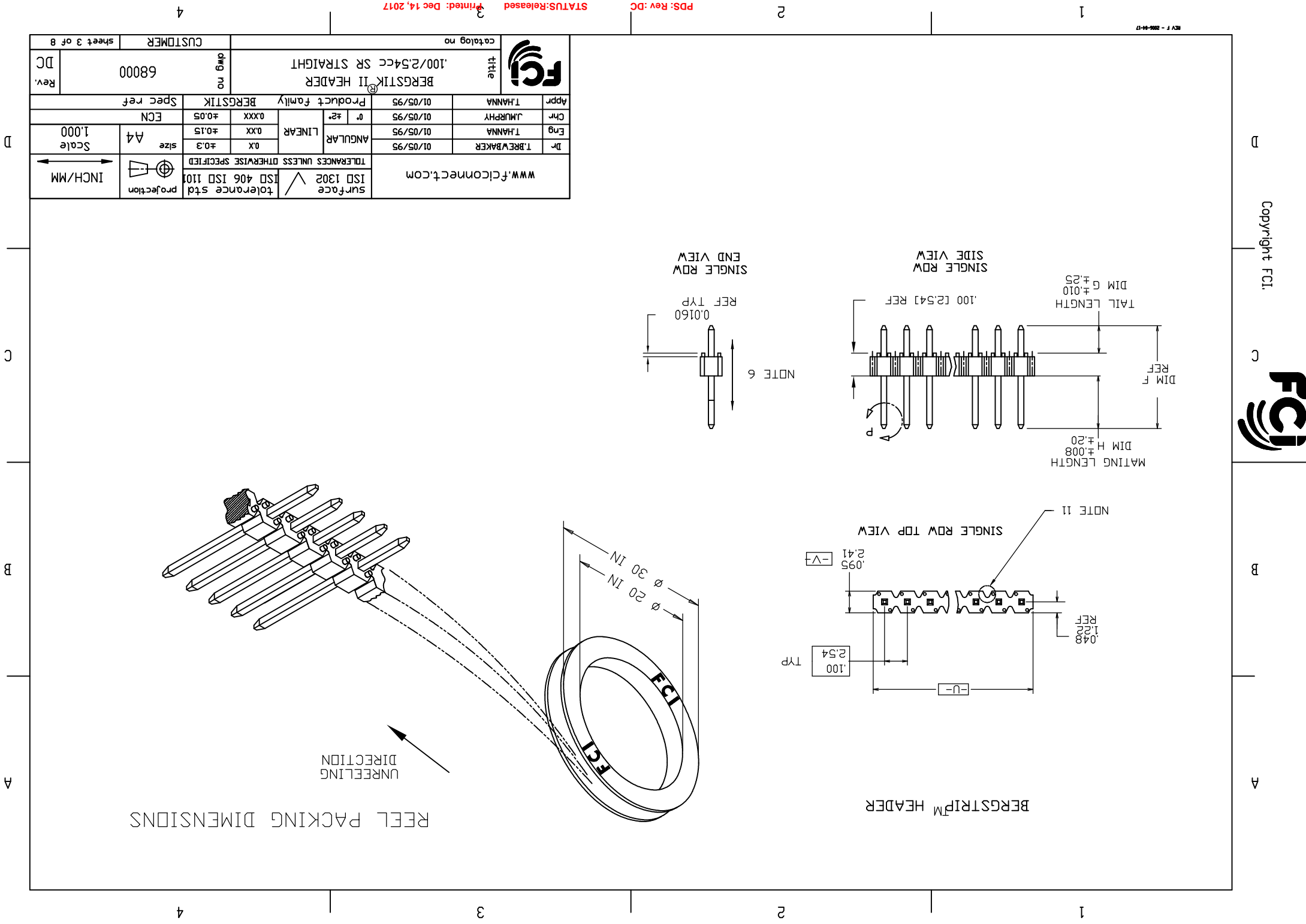


REEL PACKING DIMENSIONS

UNREELING DIRECTION



		title BERGSTRIPTM II HEADER .100/2.54cc SR STRAIGHT		catalog no 68000		drawing no DC	
Dr	T.BREWBAKER	01/05/95	ANGULAR	0X	±0.3	size	A4
Eng	T.HANNA	01/05/95	LINEAR	0XX	±0.15	ECN	1.000
Chg	J.MURPHY	01/05/95	Product family	0XXX	±0.05	Spec ref	
Appr	T.HANNA	01/05/95	Product family	BERGSTRIK		CUSTOMER	
www.fciconnect.com surface ISD 1302 ISD 406 ISD 110 tolerance std TOLERANCES UNLESS OTHERWISE SPECIFIED projection		INCH/MM Scale 1.000		sheet 3 of 8		STATUS:Released PDS: Rev: DC Printed: Dec 14, 2017	





B

A

PRODUCT NUMBER	TOTAL PIN LGTH	ENGLISH METRIC	ENGLISH METRIC	ENGLISH METRIC	ENGLISH METRIC	ENGLISH METRIC	DIM F	DIM F	DIM G	DIM G	DIM H	DIM H	MATING LENGTH	BERGSTRIP™	LF	OPTION
55492-XYY	8.00	0.095	2.41	0.120	3.05	0.230	5.84	POLY BAGS	NO							
60017-XYY	15.75	0.210	5.33	0.310	7.87	POLY BAGS	NO									
60018-XYY	16.76	0.250	6.35	0.310	7.87	POLY BAGS	NO									
63334-XYY	11.05	0.095	2.41	0.240	6.10	POLY BAGS	NO									
68000-XYY	10.80	0.095	2.41	0.230	5.84	POLY BAGS	YES									
68001-XYY	11.43	0.120	3.05	0.230	5.84	POLY BAGS/TUBES	YES									
68002-XYY	12.19	0.150	3.81	0.230	5.84	POLY BAGS	YES									
68003-XYY	13.34	0.107	2.72	0.318	8.08	POLY BAGS	NO									
68004-XYY	13.34	0.107	2.72	0.318	8.08	POLY BAGS	YES									
68024-XYY	14.43	0.150	3.81	0.318	8.08	POLY BAGS	YES									
68031-XYY	13.03	0.183	4.65	0.230	5.84	POLY BAGS	NO									
68032-XYY	13.79	0.213	5.41	0.230	5.84	POLY BAGS	NO									
68033-XYY	17.98	0.473	12.01	0.135	3.43	POLY BAGS	NO									
68415-XYY	15.62	0.115	2.92	0.400	10.16	POLY BAGS	NO									
68416-XYY	20.65	0.483	12.27	0.230	5.84	POLY BAGS	NO									
68418-XYY	18.54	0.400	10.16	0.230	5.84	POLY BAGS	NO									
68422-XYY	16.03	0.213	5.41	0.318	8.08	POLY BAGS	NO									
68443-XYY	19.18	0.425	10.80	0.230	5.84	POLY BAGS	NO									
68456-XYY	20.96	0.115	2.92	0.610	15.49	POLY BAGS	NO									
68457-XYY	13.92	0.130	3.30	0.318	8.08	POLY BAGS	NO									
68465-XYY	23.50	0.595	15.11	0.230	5.84	POLY BAGS	NO									
68466-XYY	23.50	0.128	3.25	0.697	17.70	POLY BAGS	NO									
68472-XYY	23.19	0.413	10.49	0.400	10.16	POLY BAGS	NO									
68479-XYY	18.24	0.388	9.86	0.230	5.84	POLY BAGS	NO									
68483-XYY	21.21	0.417	10.59	0.318	8.08	POLY BAGS	NO									
68487-XYY	17.91	0.110	2.79	0.495	12.57	POLY BAGS	NO									
68489-XYY	27.81	0.765	19.43	0.230	5.84	POLY BAGS	NO									
68490-XYY	26.04	0.695	17.65	0.230	5.84	POLY BAGS	NO									
68497-XYY	15.54	0.085	2.16	0.427	10.85	POLY BAGS	NO									
68603-XYY	14.10	0.120	3.05	0.335	8.51	POLY BAGS	NO									
68604-XYY	15.24	0.120	3.05	0.380	9.65	POLY BAGS	NO									

NOTE 1,12

NOTE 1,12

www.fcjconnect.com		Surface ISD 1302		tolerance std		ISD 406 ISD 110		tolerance std		projection		INCH/MM	
TOLERANCES UNLESS OTHERWISE SPECIFIED		ANGULAR		LINEAR		size		size		Scale		Scale	
0.05		0.05		±0.05		±0.3		±0.15		A4		1:000	
01/05/95		01/05/95		01/05/95		01/05/95		01/05/95		01/05/95		01/05/95	
T.BREWBAKER		T.HANNA		J.MURPHY		T.HANNA		T.HANNA		T.HANNA		T.HANNA	
Product family		Product family		Product family		Product family		Product family		Product family		Product family	
BERGSTIK		BERGSTIK		BERGSTIK		BERGSTIK		BERGSTIK		BERGSTIK		BERGSTIK	
Title		Title		Title		Title		Title		Title		Title	
BERGSTIK II HEADER		BERGSTIK II HEADER		BERGSTIK II HEADER		BERGSTIK II HEADER		BERGSTIK II HEADER		BERGSTIK II HEADER		BERGSTIK II HEADER	
100/254cc SR STRAIGHT		100/254cc SR STRAIGHT		100/254cc SR STRAIGHT		100/254cc SR STRAIGHT		100/254cc SR STRAIGHT		100/254cc SR STRAIGHT		100/254cc SR STRAIGHT	
Drawing no		Drawing no		Drawing no		Drawing no		Drawing no		Drawing no		Drawing no	
68000		68000		68000		68000		68000		68000		68000	
Rev.		Rev.		Rev.		Rev.		Rev.		Rev.		Rev.	
DC		DC		DC		DC		DC		DC		DC	
Customer		Customer		Customer		Customer		Customer		Customer		Customer	
sheet 4 of 8		sheet 4 of 8		sheet 4 of 8		sheet 4 of 8		sheet 4 of 8		sheet 4 of 8		sheet 4 of 8	



PRODUCT NUMBER	TOTAL PIN LGTH	ENGLISH METRIC	ENGLISH METRIC	ENGLISH METRIC	MATING LENGTH	DIM G	DIM G	DIM H	DIM H	BERGSTRIIP™	OPTION
68629-XXX	15.77	0.203	5.16	0.318	8.08	NO	OB	POLY BAGS			
68630-XXX	15.32	0.273	6.93	0.230	5.84	NO	OB	POLY BAGS			
68631-XXX	17.86	0.203	5.16	0.400	10.16	NO	OB	POLY BAGS			
68632-XXX	18.87	0.413	10.49	0.230	5.84	NO	OB	POLY BAGS			
68633-XXX	16.33	0.225	5.72	0.318	8.08	NO	OB	POLY BAGS			NOTE 1,12
68634-XXX	25.73	0.683	17.35	0.230	5.84	NO	OB	POLY BAGS			
68642-XXX	23.19	0.583	14.81	0.230	5.84	NO	OB	POLY BAGS			
68652-XXX	37.34	0.670	17.02	0.700	17.78	NO	OB	POLY BAGS			
68653-XXX	18.67	0.095	2.41	0.540	13.72	NO	OB	POLY BAGS			
68654-XXX	26.67	0.670	17.02	0.280	7.11	NO	OB	POLY BAGS			
68655-XXX	17.98	0.290	7.37	0.318	8.08	NO	OB	POLY BAGS			
68656-XXX	28.27	0.613	15.57	0.400	10.16	NO	OB	POLY BAGS			
68657-XXX	14.94	0.368	9.35	0.120	3.05	NO	OB	POLY BAGS			
68658-XXX	20.83	0.130	3.30	0.590	14.99	NO	OB	POLY BAGS			
68659-XXX	15.44	0.398	10.11	0.140	2.79	NO	OB	POLY BAGS			
68686-XXX	25.81	0.458	11.63	0.458	11.63	NO	OB	POLY BAGS			
68689-XXX	23.19	0.213	5.41	0.600	15.24	NO	OB	POLY BAGS			
68705-XXX	10.03	0.095	2.41	0.200	5.08	NO	OB	POLY BAGS			
68717-XXX	15.62	0.285	7.24	0.230	5.84	NO	OB	POLY BAGS			
68730-XXX	14.10	0.225	5.72	0.230	5.84	NO	OB	POLY BAGS			
68731-XXX	22.35	0.440	11.18	0.340	8.64	NO	OB	POLY BAGS			
68735-XXX	25.81	0.520	13.21	0.396	10.06	NO	OB	POLY BAGS			
68755-XXX	29.62	0.533	13.54	0.533	13.54	NO	OB	POLY BAGS			
68760-XXX	20.40	0.353	8.97	0.350	8.89	NO	OB	POLY BAGS			
68762-XXX	14.94	0.213	5.41	0.275	6.99	NO	OB	POLY BAGS			
68771-XXX	11.94	0.100	2.54	0.270	6.86	NO	OB	POLY BAGS			
68781-XXX	17.55	0.273	6.93	0.318	8.08	NO	OB	POLY BAGS			NOTE 1,12

www.fciconnect.com

surface ISD 1302 ✓ tolerance std ISD 406 ISD 110

tolerance std 0X ±0.3 size A4 Scale 1.000

tolerances unless otherwise specified

Dr	T.BREWBAKER	01/05/95
Eng	T.HANNA	01/05/95
Chr	J.MURPHY	01/05/95
Appr	T.HANNA	01/05/95

ANGULAR Product family BERGSTIK

LINEAR Product family BERGSTIK

ECN Spec ref

Rev. DC

title BERGSTIK II HEADER

100/254cc SR STRAIGHT

dwg no 68000

catalog no

CUSTOMER

sheet 5 of 8

D

C

B

A

4

3

2

1

REV F - 206-14-17



PDS: Rev: DC

STATUS: Released

2

Printed: Dec 14, 2017

4

3

2

1

Copyright FCI



PRODUCT NUMBER	TOTAL PIN LGTH		ENGLISH METRIC		ENGLISH METRIC		ENGLISH METRIC		MATING LENGTH		BERGSTRIPTM LF	OPTION
	DIM F	DIM F	DIM G	DIM G	DIM H	DIM H	DIM G	DIM H	DIM G	DIM H		
68795-XXX	12.70	0.500	0.062	1.57	0.338	8.59	POLY BAGS					
68796-XXX	16.08	0.633	0.423	10.74	0.110	2.79	POLY BAGS					
68797-XXX	10.43	0.413	0.213	5.41	0.100	2.54	POLY BAGS					
69148-XXX	11.43	0.442	0.000	11.43	0.350	8.89	POLY BAGS					
69152-XXX	18.29	0.720	0.120	3.05	0.500	12.70	POLY BAGS/TUBES					
69173-XXX	13.46	0.530	0.135	3.43	0.295	7.49	POLY BAGS					
69188-XXX	19.08	0.751	0.333	8.46	0.318	8.08	POLY BAGS					
69751-XXX	11.18	0.440	0.170	4.32	0.170	4.32	POLY BAGS					
71417-XXX	16.87	0.664	0.115	2.92	0.449	11.40	POLY BAGS					
72260-XXX	23.62	0.930	0.090	2.29	0.740	18.80	POLY BAGS					
72323-XXX	30.48	1.200	0.100	2.54	1.000	25.40	POLY BAGS					
72457-XXX	27.94	1.100	0.090	2.29	0.910	23.11	POLY BAGS					
73698-XXX	27.94	1.100	0.120	3.05	0.880	22.35	POLY BAGS					
74464-XXX	26.11	1.028	0.610	15.49	0.318	8.08	POLY BAGS					
78240-XXX	16.84	0.663	0.333	8.46	0.230	5.84	POLY BAGS					
78287-XXX	17.22	0.678	0.120	3.05	0.458	11.63	POLY BAGS					
78290-XXX	31.75	1.250	0.500	12.70	0.650	16.51	POLY BAGS					
78511-XXX	13.67	0.538	0.120	3.05	0.318	8.08	POLY BAGS/TUBES					
78595-XXX												
78931-XXX												
78958-XXX												
78959-XXX												
78977-XXX												
78998-XXX	0.430	10.92	0.155	3.94	0.175	4.45	POLY BAGS					
78999-XXX												
79428-XXX	17.65	0.695	0.120	3.05	0.475	12.07	POLY BAGS					
79849-XXX	15.75	0.620	0.120	3.05	0.400	10.16	POLY BAGS					

NOTE 1,12

NOTE 1,12

www.fciconnect.com		SURFACE ISD 1302		tolerance std		ISD 406 ISD 110		projection		INCH/MM	
Dr	T.BREWBAKER	01/05/95	ANGULAR	0X	±0.3	size	A4	Scale	1.000		
Eng	T.HANNA	01/05/95	LINEAR	0XX	±0.15						
Chr	J.MURPHY	01/05/95	Product family	0XXX	±0.05	ECN					
Appr	T.HANNA	01/05/95	Product family	BERGSTIK		Spec ref					
		title		BERGSTIK II HEADER		catlog no		68000		Rev. DC	
		catalog no		100/254cc SR STRAIGHT		dwg no		CUSTOMER		sheet 6 of 8	

D

C

B

A

4

STATUS:Released Printed: Dec 14, 2017

PDS: Rev: DC

2

1

REV: F - 2004-11

4

3

2

1



B

A

PRODUCT NUMBER	TOTAL PIN LGTH	ENGLISH METRIC	ENGLISH METRIC	ENGLISH METRIC	DIM G	DIM G	DIM G	DIM H	DIM H	MATING LENGTH	BERGSTRIIP™	LF
84918-XYX	8.64	0.120	3.05	0.120	3.05	0.120	3.05	0.120	3.05	3.05	POLY BAGS	OPTION
84921-XYX	9.40	0.150	3.81	0.120	3.05	0.120	3.05	0.120	3.05	3.05	POLY BAGS	OPTION
86506-XYX	11.18	0.120	3.05	0.220	5.59	0.220	5.59	0.220	5.59	5.59	POLY BAGS	OPTION
86579-XYX	11.43	0.120	3.05	0.230	5.84	0.230	5.84	0.230	5.84	5.84	POLY BAGS	OPTION
86634-XYX	NOT AVAILABLE											NOTE 1,12
86635-XYX	NOT AVAILABLE											NOTE 1,12
86636-XYX	NOT AVAILABLE											NOTE 1,12
86637-XYX	NOT AVAILABLE											NOTE 1,12
86638-XYX	NOT AVAILABLE											NOTE 1,12
86793-XYX	0.900	22.86	0.100	2.54	0.700	17.78	0.100	2.54	0.700	17.78	POLY BAGS	NOTE 10
86899-XYX	1.020	25.91	0.120	3.05	0.800	20.32	0.120	3.05	0.800	20.32	POLY BAGS	NOTE 10
87185-XYX	1.238	31.45	0.095	2.41	1.043	26.49	0.095	2.41	1.043	26.49	POLY BAGS	NOTE 10
87204-XYX	0.895	22.73	0.120	3.05	0.675	17.15	0.120	3.05	0.675	17.15	POLY BAGS	NOTE 10
87241-XYX	1.000	25.40	0.120	3.05	0.780	19.81	0.120	3.05	0.780	19.81	POLY BAGS	NOTE 10
87502-XYX	1.130	28.70	0.110	2.79	0.920	23.37	0.110	2.79	0.920	23.37	POLY BAGS	NOTE 10
87827-XYX	0.380	9.65	0.120	3.05	0.160	4.06	0.120	3.05	0.160	4.06	POLY BAGS	NOTE 10
87916-XYX	1.058	26.87	0.128	3.25	0.830	21.08	0.128	3.25	0.830	21.08	POLY BAGS	NOTE 10
88005-XYX	0.536	13.61	0.095	2.41	0.341	8.66	0.095	2.41	0.341	8.66	POLY BAGS	NOTE 10
88706-XYX	0.900	22.86	0.100	2.54	0.700	17.78	0.100	2.54	0.700	17.78	POLY BAGS	NOTE 10
89232-XYX	0.325	8.26	0.000	0.00	0.230	5.84	0.000	0.00	0.230	5.84	POLY BAGS	NOTE 10

www.fciconnect.com		surface ISD 1302		tolerance std		ISD 406 ISD 110		projection		INCH/MM	
TOLERANCES UNLESS OTHERWISE SPECIFIED		ANGULAR		LINEAR		size		A4		Scale 1:000	
Dr	T.BREWBAKER	01/05/95	0X	±0.3	0XX	±0.15	ECN	Spec ref		Rev. DC	
Chg	J.MURPHY	01/05/95	0°	±2°	0XXX	±0.05	Product family	BERGSTIK		catalog no	
Appr	T.HANNA	01/05/95	Product family		BERGSTIK		Customer		sheet 7 of 8		
title		BERGSTIK II HEADER		100/254cc SR STRAIGHT		68000		Rev. DC		DC	

D

C

B

A



PRODUCT NUMBER	TOTAL PIN LGTH	ENGLISH METRIC	ENGLISH METRIC	ENGLISH METRIC	ENGLISH METRIC	MATING LENGTH	TAIL LENGTH	DIM G	DIM G	DIM H	DIM H	BERGSTRIIP™	OPTION
90522-XXX	16.97	0.135	3.43	0.433	11.00	POLY BAGS	NOTE 10	NO					OB
90547-XXX	12.90	0.095	2.41	0.313	7.95	POLY BAGS	NOTE 10	NO					OB
90719-XXX	0.384	9.75	0.106	2.69	0.178	4.52	POLY BAGS						OB
90726-XXX	0.440	11.18	0.110	2.79	0.230	5.84	POLY BAGS					YES	OB
91276-XXX	1.225	31.12	0.225	5.72	0.900	22.86	POLY BAGS						
92020-XXX	0.372	9.45	0.094	2.39	0.178	4.52	POLY BAGS						OB
92418-XXX	0.572	14.53	0.118	3.00	0.354	8.99	POLY BAGS						OB
92418-XXX	0.572	14.53	0.118	3.00	0.354	8.99	POLY BAGS						OB
93167-XXX	0.394	10.01	0.059	1.50	0.235	5.97	POLY BAGS						OB
93287-XXX	0.585	14.86	0.085	2.16	0.400	10.16	POLY BAGS						OB
93944-XXX	0.941	23.90	0.130	3.30	0.711	18.06	POLY BAGS						OB
93992-XXX	0.415	10.54	0.085	2.16	0.230	5.84	POLY BAGS						OB
94063-XXX	0.376	9.55	0.138	3.51	0.138	3.51	POLY BAGS					NOTE 10	OB
94094-XXX	0.592	15.04	0.314	7.98	0.178	4.52	POLY BAGS						OB
94544-XXX	0.550	13.97	0.130	3.30	0.330	8.38	POLY BAGS					NOTE 10	OB
94611-XXX	0.320	8.13	0.095	2.41	0.125	3.18	POLY BAGS						OB
95017-XXX	0.560	14.22	0.060	1.52	0.400	10.16	POLY BAGS						OB
95103-XXX	1.064	27.03	0.433	11.00	0.531	13.49	POLY BAGS					NOTE 10	OB
95104-XXX	0.370	9.40	0.126	3.20	0.144	3.66	POLY BAGS					NOTE 10	OB
95648-XXX	0.655	16.64	0.155	3.94	0.400	10.16	POLY BAGS						OB
95655-XXX	1.164	29.57	0.095	2.41	0.969	24.61	POLY BAGS					NOTE 10	OB
98001-XXX	0.610	15.49	0.420	10.67	0.090	2.29	POLY BAGS						OB
98136-XXX	0.475	12.07	0.095	2.41	0.280	7.11	POLY BAGS						OB
1004394-XXX	0.290	7.37	0.095	2.41	0.095	2.41	POLY BAGS						OB
10076764-XXX	0.479	12.19	0.114	2.9	0.265	6.75	POLY BAGS					YES	OB
10103047-XXX	0.335	8.51	0.130	3.30	0.105	2.67	POLY BAGS						OB
10121349-XXX	0.626	15.9	0.120	3.05	0.406	10.3	POLY BAGS/TAPE REEL						OB

NOTE 1,12

NOTE 1,12

A B C D

www.fciconnect.com

surface ISD 1302 ✓ tolerance std ISD 406 ISD 110

projection

INCH/MM

Scale 1.000

ECN

Dr	T.BREWBAKER	01/05/95	ANGULAR	0X	±0.3	size	A4
Eng	T.HANNA	01/05/95	LINEAR	0XX	±0.15		
Chr	J.MURPHY	01/05/95		0XXX	±0.05	Product family	BERGSTIK
Appr	T.HANNA	01/05/95				Product family	BERGSTIK

catalog no

ding no

Rev. DC

CUSTOMER

sheet 8 of 8



## X-ON Electronics

Largest Supplier of Electrical and Electronic Components

*Click to view similar products for [Headers & Wire Housings](#) category:*

*Click to view products by [Amphenol](#) manufacturer:*

Other Similar products are found below :

[95000-104TRLF](#) [10135584-644402LF](#) [DF62W-EP2022PCA](#) [95000-106TRLF](#) [DF62W-2022SCA](#) [DF62W-EP2022PC](#) [2203348](#) [DF62W-2022SC](#) [1084018](#) [1029039](#) [1084017](#) [802-10-012-10-002000](#) [1112640](#) [1112639](#) [000-34000](#) [0009482033](#) [0009507031](#) [57102-S06-03LF](#) [57202-S52-04LF](#) [PCN6-15S-2.5E](#) [0039019024](#) [58102-G61-06LF](#) [582553-1](#) [0009485154](#) [0009508121](#) [0022285053](#) [0050291907](#) [018731A](#) [LY20-4P-DT1-P1E-BR](#) [02.125.8002.8](#) [60101931](#) [60598-1 \(Cut Strip\)](#) [M1625-3R/100](#) [61062-3](#) [61082-181009](#) [636-1427](#) [638009-1](#) [641938-9](#) [641991-4](#) [644168-1](#) [647662-1](#) [65039-019ELF](#) [65781-047](#) [65817-002LF](#) [65817-015LF](#) [65863-015LF](#) [66207-023LF](#) [67016-026LF](#) [67046-001LF](#) [67095-007LF](#)