

NOTES:

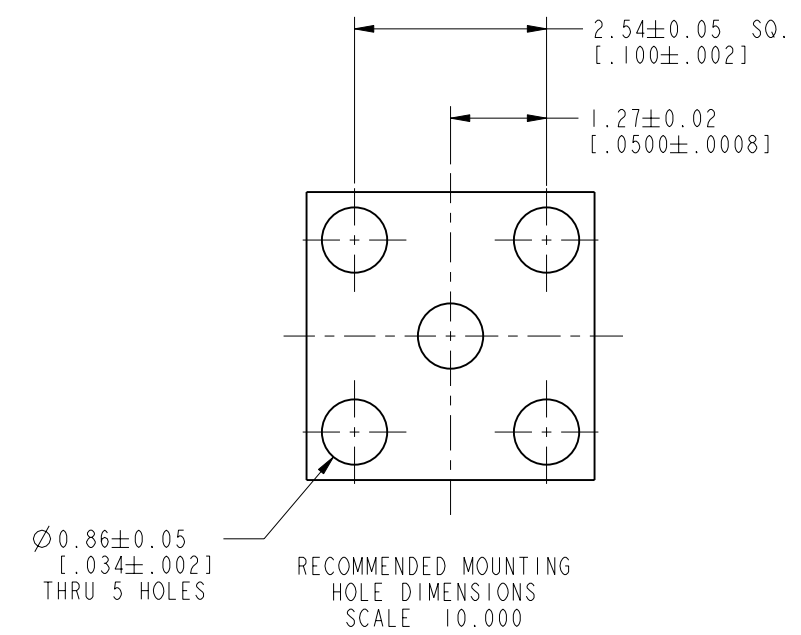
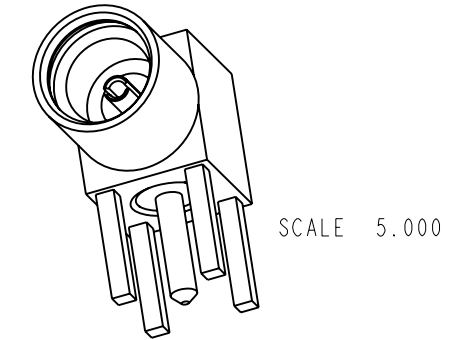
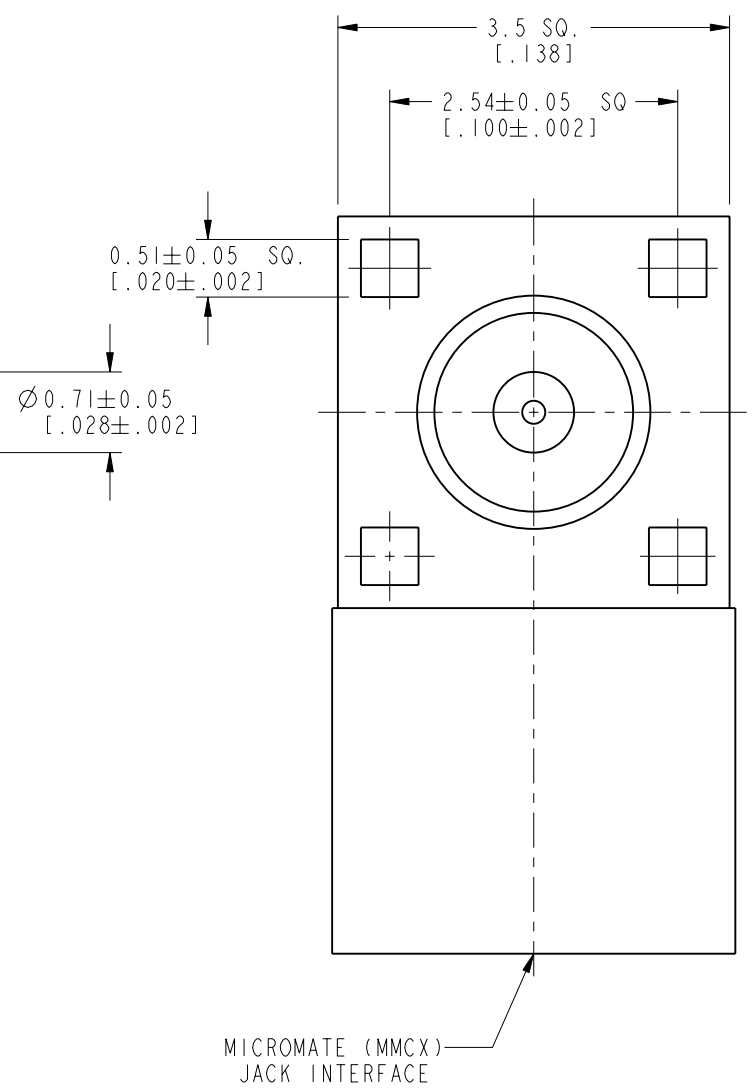
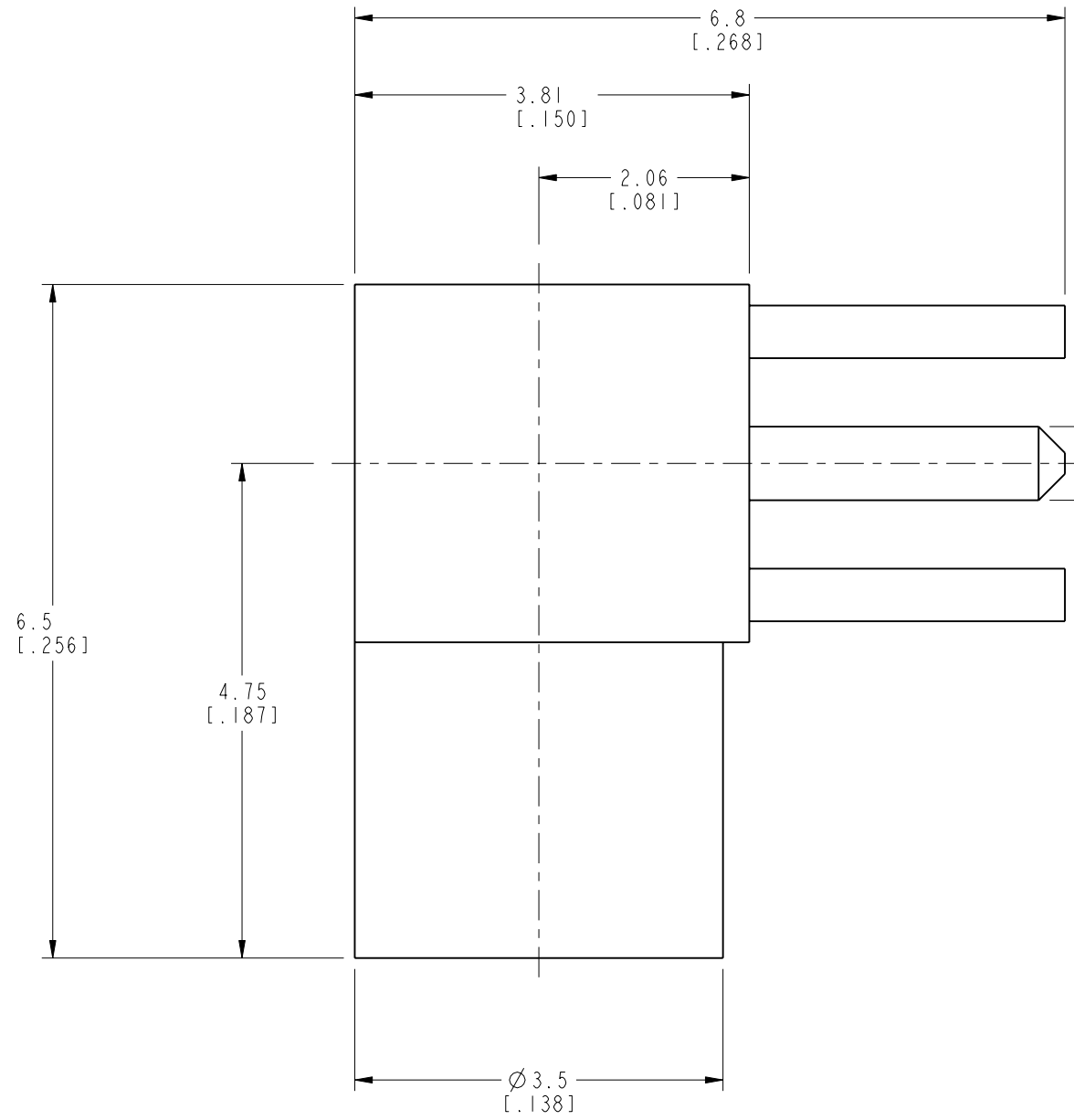
I. MATERIALS AND FINISHES:

- BODIES - BRASS, GOLD PLATED
- CONTACT - BERYLLIUM COPPER, GOLD PLATED
- INSULATORS - PTFE, NATURAL

THIRD ANGLE PROJ.

REVISIONS

REV	DESCRIPTION	DATE	ECO	APPR
A	ENGINEERING RELEASE	7/25/97	42082	BCG/
B	ADD MOUNTING HOLE REF	1/27/06	45895	CPM
C	MOUNTING HOLES (5) WERE $\varnothing .031$	3/6/06	45920	CPM
D	RELEASE IN ARFA, UPDATE DRAWING	04-Jan-13	49376	DH
E	BODY, INSULATOR AND CONTACT WERE CHANGED	22-Dec-14	50315	SH



MICROMATE (MMCX)  
JACK INTERFACE

**CUSTOMER OUTLINE DRAWING**  
ALL OTHER SHEETS ARE FOR INTERNAL USE ONLY

<p>UNLESS OTHERWISE SPECIFIED, DIMENSIONS ARE IN METRIC AND TOLERANCES ARE:                  &lt;0.5mm ±0.05mm    0.5 - 6mm ±0.1mm    6 - 30mm ±0.2mm    30 - 120mm ±0.3mm    ANGLES ±1°</p> <p>NOTICE - These drawings, specifications, or other data (1) are, and remain the property of Amphenol corp. (2) must be returned upon request; and (3) are confidential and not to be disclosed to any person other than those to whom they are given by Amphenol Corp. the furnishing of these drawings, specifications, or other data by Amphenol Corp., or to any other person to anyone for any purpose is not to be regarded by implication or otherwise in any manner licensing, granting rights to permitting such holder or any other person to manufacture, use or sell any product, process or design, patented or otherwise, that may in any way be related to or disclosed by said drawings, specifications, or other data.</p>	MATERIAL	DRAWN TANGOR	DATE 22-Dec-14	<p>TITLE MICROMATE JACK, RIGHT ANGLE, PCB MOUNT</p>	<p>Amphenol RF www.amphenolrf.com</p>	
	REFERENCE EAR 966287-0 615X-1447-100 GEN# ASSYF4_MMCX	ENGINEER B.GLEISSNER	DATE 04-Mar-97			SCALE: 15.0:1.0   SHEET 2 OF 2
	FINISH	APPROVED S.HSIEH	DATE 22-Dec-14	DWG SIZE B	REV E	DRAWING NO. 908-24100
						ITEM NO. 908-24100 PART NO. 908-24100

## X-ON Electronics

Largest Supplier of Electrical and Electronic Components

*Click to view similar products for [RF Connectors / Coaxial Connectors](#) category:*

*Click to view products by [Amphenol](#) manufacturer:*

Other Similar products are found below :

[8915-1511-000](#) [89674-0827](#) [6001-7071-019](#) [6002-7051-003](#) [6002-7551-202](#) [6059674-1](#) [619550-1](#) [630059-000](#) [M39030/3-01N](#) [M3933/25-36N](#) [6500-7071-046](#) [6769](#) [CX050L2AQ](#) [7002-1542-011](#) [7004-1512-000](#) [7009-1511-004](#) [7010-1511-000](#) [7029-1511-060](#) [7101-1541-010](#) [7101-1571-002](#) [7105-1521-002](#) [7145-1521-002](#) [7203-1571-003](#) [7209-1511-011](#) [7210-1511-015](#) [7210-1511-019](#) [73137-5015](#) [73216-2241](#) [7325-1512-000](#) [73404-2300](#) [7405-1521-005](#) [7405-1521-802](#) [7406-1521-005](#) [8527](#) [8547](#) [FS11V](#) [8808-1511-001](#) [9049-9513-000](#) [9074-9513-000](#) [9101-9573-002](#) [910A205F](#) [9130-9573-002](#) [PL11SC-026](#) [PL375-33](#) [PL40-5](#) [PL71-9](#) [PL74C-221](#) [PL75MC-217](#) [PL803-7](#) [980-8666-005](#)