

NOTES:

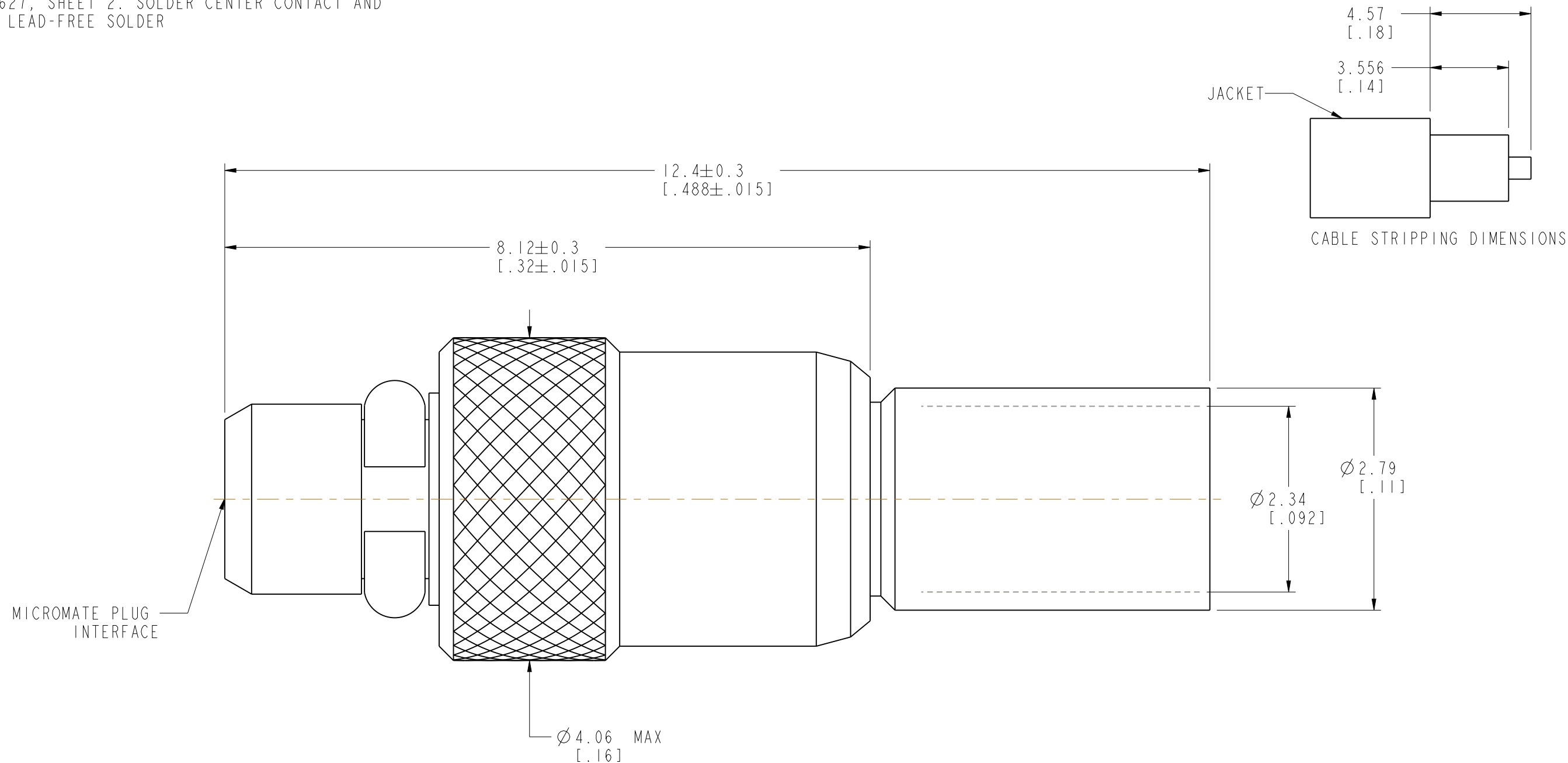
1. MATERIALS AND FINISHES:
 BODY - BRASS, GOLD PLATED
 CONTACT - BRASS, GOLD PLATED
 RING - BERYLLIUM COPPER, GOLD PLATED
 INSULATOR - PTFE

2. FOR CABLE STRIPPING AND ASSEMBLY INSTRUCTIONS
 SEE 349-50627, SHEET 2. SOLDER CENTER CONTACT AND
 BODY USING LEAD-FREE SOLDER

THIRD ANGLE PROJ.

REVISIONS

REV	DESCRIPTION	DATE	ECO	APPR
A	RELEASE MFG.	07-Dec-11	41601	BCG
B	ITEM 3 WAS 908-7028	27-Apr-13	43271	CPM
C	CANCELLED	09-Aug-13	49690	J.C
D	CORRECTED SOLDER NOTE	3/24/14	49752	MJD



CUSTOMER OUTLINE DRAWING

ALL OTHER SHEETS ARE FOR INTERNAL USE ONLY

UNLESS OTHERWISE SPECIFIED, DIMENSIONS ARE IN METRIC AND TOLERANCES ARE:
 <0.5mm ±0.05mm 0.5 - 6mm ±0.1mm 6 - 30mm ±0.2mm 30 - 120mm ±0.3mm ANGLES ±1°

NOTICE - These drawings, specifications, or other data (1) are, and remain the property of Amphenol corp. (2) must be returned upon request; and (3) are confidential and not to be disclosed to any person other than those to whom they are given by Amphenol Corp. the furnishing of these drawings, specifications, or other data by Amphenol Corp., or to any other person to anyone for any purpose is not to be regarded by implication or otherwise in any manner licensing, granting rights to permitting such holder or any other person to manufacture, use or sell any product, process or design, patented or otherwise, that may in any way be related to or disclosed by said drawings, specifications, or other data.

MATERIAL	DRAWN B.GLEISSNER	DATE 11-Oct-96
REFERENCE AND CONFIGURATION LEVEL: In Work	ENGINEER B.GLEISSNER	DATE 11-Oct-96
FINISH	APPROVED K. CAPOZZI	DATE 2/25/14
	CAD FILE	

TITLE MICROMATE PLUG SOLDER TYPE FOR $\varnothing .086$ S/R CABLE	
SCALE: 6.0:1.0	SHEET 2 OF 2
DWG SIZE B	REV D

Amphenol RF www.amphenolrf.com	
DRAWING NO. 908-41400	
ITEM NO. 908-41400	
PART NO. 908-41400	

X-ON Electronics

Largest Supplier of Electrical and Electronic Components

Click to view similar products for [RF Connectors / Coaxial Connectors](#) category:

Click to view products by [Amphenol](#) manufacturer:

Other Similar products are found below :

[8915-1511-000](#) [89674-0827](#) [6001-7071-019](#) [6002-7051-003](#) [6002-7551-202](#) [6059674-1](#) [619550-1](#) [630059-000](#) [M39030/3-01N](#) [M3933/25-36N](#) [6500-7071-046](#) [6769](#) [CX050L2AQ](#) [7002-1542-011](#) [7004-1512-000](#) [7009-1511-004](#) [7010-1511-000](#) [7029-1511-060](#) [7101-1541-010](#) [7101-1571-002](#) [7105-1521-002](#) [7145-1521-002](#) [7203-1571-003](#) [7209-1511-011](#) [7210-1511-015](#) [7210-1511-019](#) [73137-5015](#) [73216-2241](#) [7325-1512-000](#) [73404-2300](#) [7405-1521-005](#) [7405-1521-802](#) [7406-1521-005](#) [8527](#) [8547](#) [FS11V](#) [8808-1511-001](#) [9049-9513-000](#) [9074-9513-000](#) [9101-9573-002](#) [910A205F](#) [9130-9573-002](#) [PL11SC-026](#) [PL375-33](#) [PL40-5](#) [PL71-9](#) [PL74C-221](#) [PL75MC-217](#) [PL803-7](#) [980-8666-005](#)