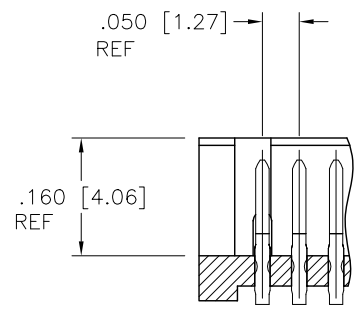
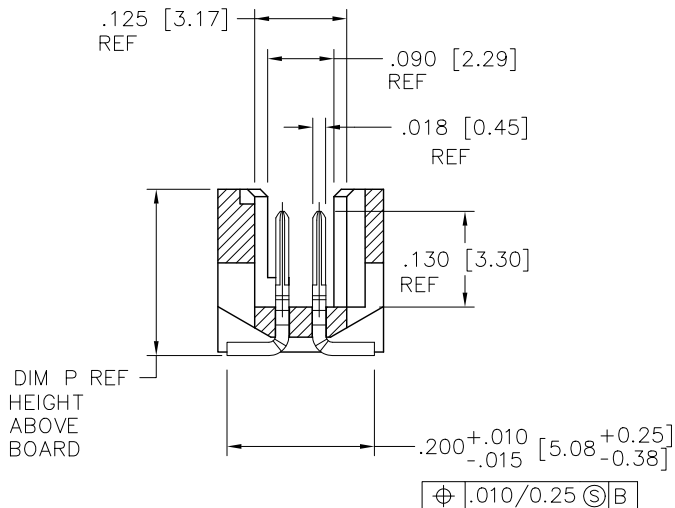


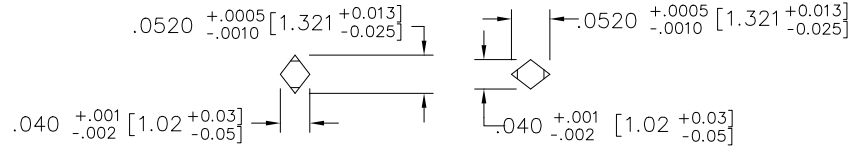
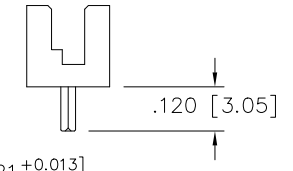
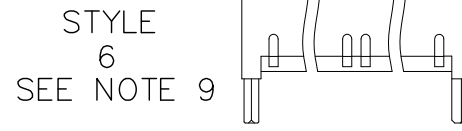
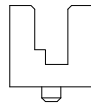
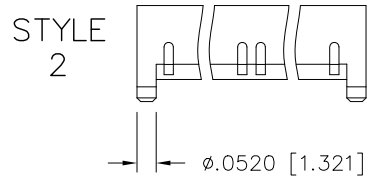
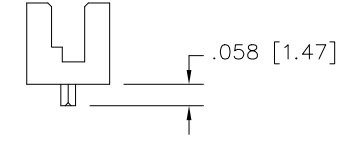
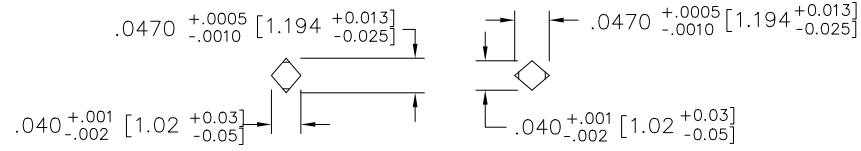
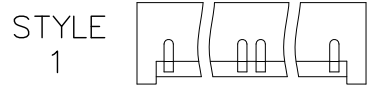
SIZE	DIM H	DIM J	DIM K	DIM L
2X5	.275/6.99	.200/5.08	.372/9.45	.320/8.13
2X10	.525/13.34	.450/11.43	.622/15.80	.570/14.48
2X15	.775/19.68	.700/17.78	.872/22.15	.820/20.83
2X20	1.025/26.03	.950/24.13	1.122/28.50	1.070/27.18
2X25	1.275/32.38	1.200/30.48	1.372/34.85	1.320/33.53
2X30	1.525/38.74	1.450/36.83	1.622/41.20	1.570/39.88
2X35	1.775/45.08	1.700/43.18	1.872/47.55	1.820/46.23
2X40	2.025/51.43	1.950/49.53	2.122/53.90	2.070/52.58
2X45	2.275/57.78	2.200/55.88	2.372/60.25	2.320/58.93
2X50	2.525/64.14	2.450/62.23	2.622/66.60	2.570/65.28



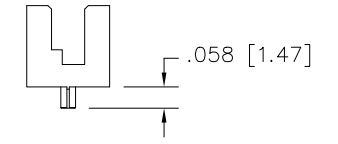
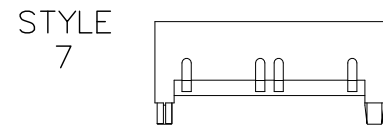
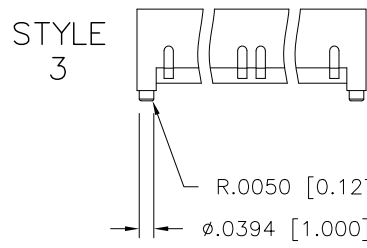
SECTION Y-Y

mat'l. code		surface		tolerance		projection		product family	
-		ISO 1302 ✓		ISO 406 ISO 1101				RIBCAGE	
ltr	ecn	no	dr	date		tolerances unless otherwise specified		title	
AG						.XX±.01/0.3 .XXX±.005/0.13 ±2' .XXXX±.0020/0.05		INCH/MM scale 3:1	
dr		M. CORNMAN		6/07/95				sheet 2 of 8 size	
engr		D. WHITING		6/07/95				95781 A3	
chr		D. WHITING		6/07/95				type Product Customer Drawing	
appd		D. WHITING		6/07/95					
sheet index	revision sheet								

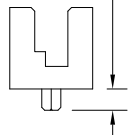
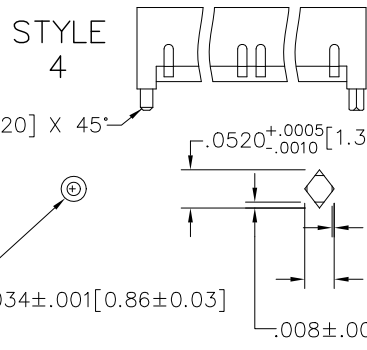
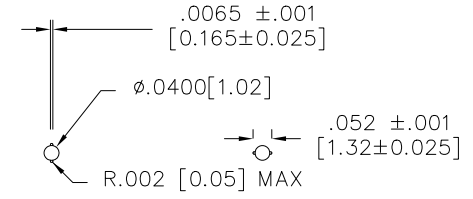
LOCATOR/HOLDDOWN VARIATIONS



⊕ ∅ .004/0.10 (M) A (S) B (S) (ALL PEG CONFIGURATIONS)



$.058 \pm .003$ [1.47 ± 0.08]

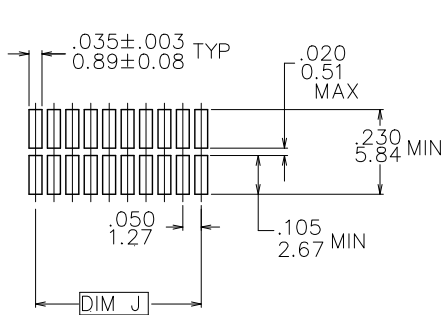


mat'l. code		surface		tolerance		projection		product family		
-		ISO 1302 ✓		ISO 406 ISO 1101				RIBCAGE		
ltr	ecn	no	dr	date		tolerances unless otherwise specified		title		
AG						angles linear $.XX \pm .01/0.3$ $.XXX \pm .005/0.13$ $\pm 2'$ $.XXXX \pm .0020/0.05$		INCH/MM scale 3:1		
		dr		M. CORNMAN		6/07/95		RIBCAGE III SMT VERT. HEADER ASS'Y		
		engr		D. WHITING		6/07/95		dwg no 95781 sheet 3 of 8 size A3		
		chr		D. WHITING		6/07/95		type Product Customer Drawing		
		appd		D. WHITING		6/07/95				
sheet	revision									
index	sheet									

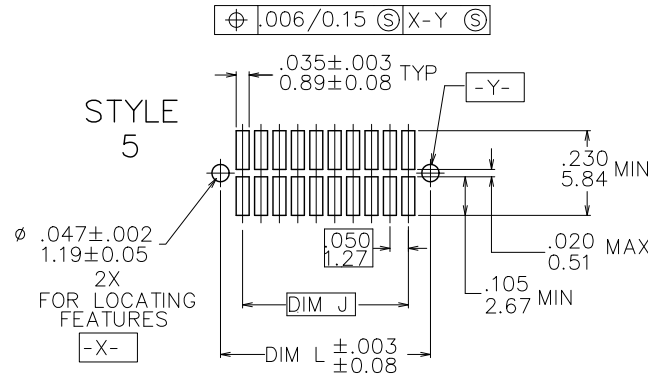


RECOMMENDED PCB MOUNTING PAD PATTERN

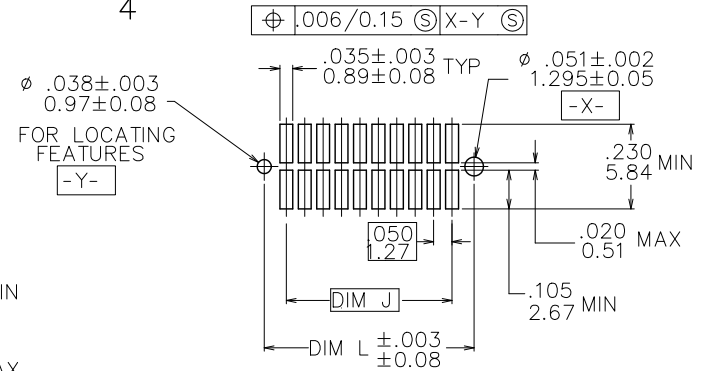
STYLE 1



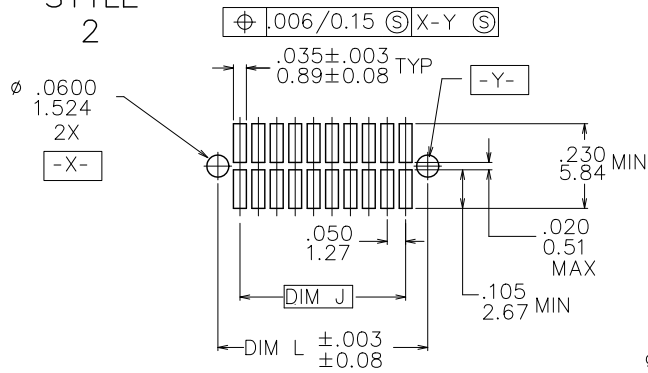
STYLE 5



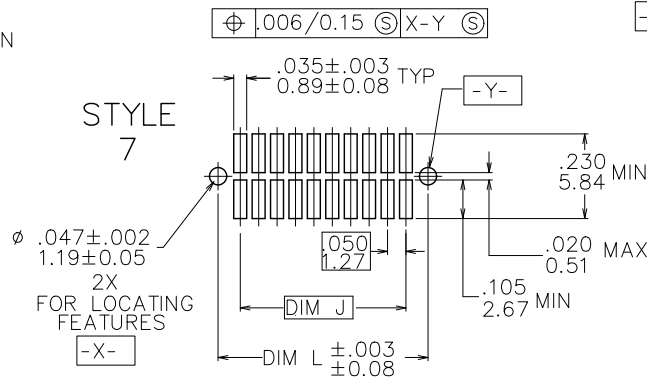
STYLE 4



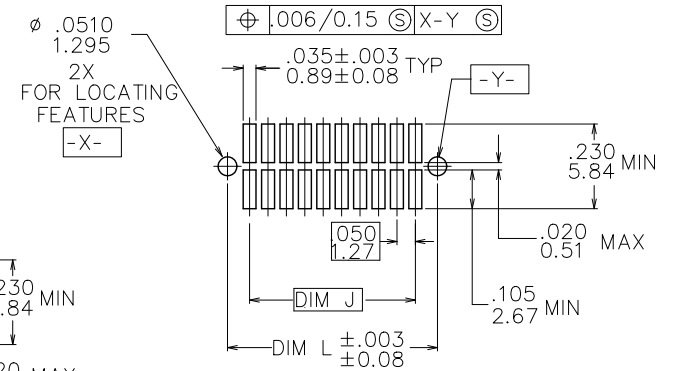
STYLE 2



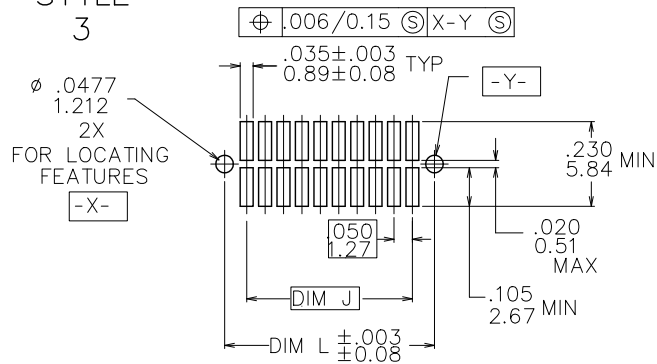
STYLE 7



STYLE 6



STYLE 3



mat'l. code		surface		tolerance		projection		product family	
-		ISO 1302 ✓		ISO 406 ISO 1101				RIBCAGE	
ltr	ecn	no	dr	date		tolerances unless otherwise specified		title	
AG						angles linear .xx±.01/0.3 .xxx±.005/0.13 ±2' .xxx±.0020/0.051		INCH/MM RIBCAGE III SMT VERT. HEADER ASS'Y	
dr		M. CORNMAN		6/07/95		scale 3:1		dwg no	
enrg		D. WHITING		6/07/95				sheet 4 of 8 size	
chr		D. WHITING		6/07/95				95781 A3	
appd		D. WHITING		6/07/95				type Product Customer Drawing	
sheet index	revision sheet								

PRODUCT NUMBER NOTE 1,4A & 4B	DIM P HEIGHT ABOVE BOARD (REF.)	HOLDDOWN STYLE
72428-1XX	.244/6.20	1
73546-1XX	.364/9.25	1
73547-1XX	.364/9.25	2
73548-1XX	.364/9.25	4
84700-1XX	.226/5.74	7
84701-1XX	.298/7.57	7
84734-1XX	.364/9.25	7
87401-1XX	.226/5.74	6
87409-1XX	.226/5.74	2
87849-1XX	.226/5.74	1
88566-1XX	.260/6.60	2
90098-1XX	.298/7.57	2
90863-1XX	.226/5.74	1
91036-1XX	.364/9.25	5
91423-1XX	.226/5.74	2
91855-1XX	.226/5.74	5
92099-1XX	.226/5.74	4
92412-1XX	.298/7.57	4
93206-1XX	.226/5.74	3
93221-1XX	.298/7.57	1
93289-1XX	.298/7.57	5

OBSOLETE

OBSOLETE

OBSOLETE

OBSOLETE

SEE NOTE 10

* OBSOLETE

OBSOLETE

OBSOLETE

OBSOLETE

TABLE A

CUSTOMER SPECIAL

mat'l. code		surface		tolerance		projection		product family	
-		ISO 1302 ✓		ISO 406 ISO 1101				RIBCAGE	
ltr	ecn	no	dr	date	tolerances unless otherwise specified			title	
AG					angles	linear	.XX±.01/0.3	INCH/MM	
					±2'		.xxx±.005/0.13	scale 3:1	
							.xxxx±.0020/0.05		
			dr	M. CORNMAN	6/07/95				dwg no
			enrg	D. WHITING	6/07/95				sheet 5 of 8
			chr	D. WHITING	6/07/95				size
			appd	D. WHITING	6/07/95				A3
sheet index		revision sheet						type Product Customer Drawing	

PRODUCT NUMBER NOTE 11,4C	QTY. REEL	TAPE WIDTH PITCH MM	CONNECTOR ORIENTATION IN TAPE POCKET
72428-120TR	500	44/12	VIEW 1
73546-105TR		24/12	
73546-110TR		32/12	
73546-115TR		44/12	
73546-120TR		44/12	
73546-125TR		56/12	
73546-130TR		56/12	
73546-135TR		72/12	
73546-140TR		72/12	
73546-145TR		72/12	
73546-150TR		88/12	
73547-105TR		24/12	
73547-110TR		32/12	
73547-115TR		44/12	
73547-120TR		44/12	
73547-125TR		56/12	
73547-130TR		56/12	
73547-135TR		72/12	
73547-140TR		72/12	
73547-145TR		72/12	
73547-150TR	500	88/12	
84700-105TR	400	24/12	
84700-135TR	500	72/12	
87409-105TR		24/12	
87409-110TR		24/12	
87409-115TR		44/12	
87409-120TR		44/12	
87409-125TR		56/12	
87409-130TR	500	56/12	VIEW 1

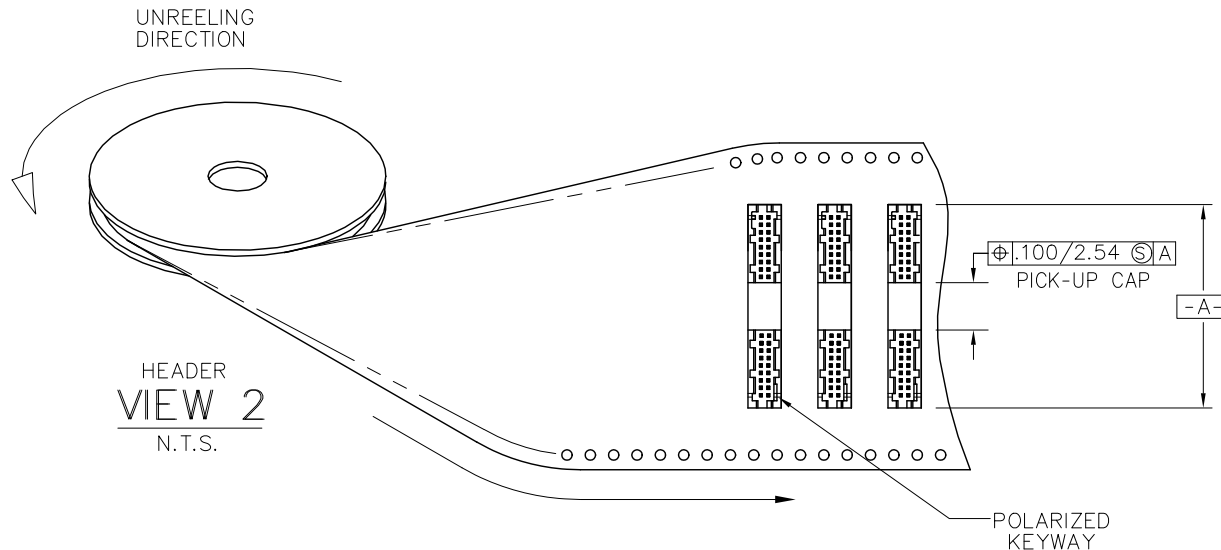
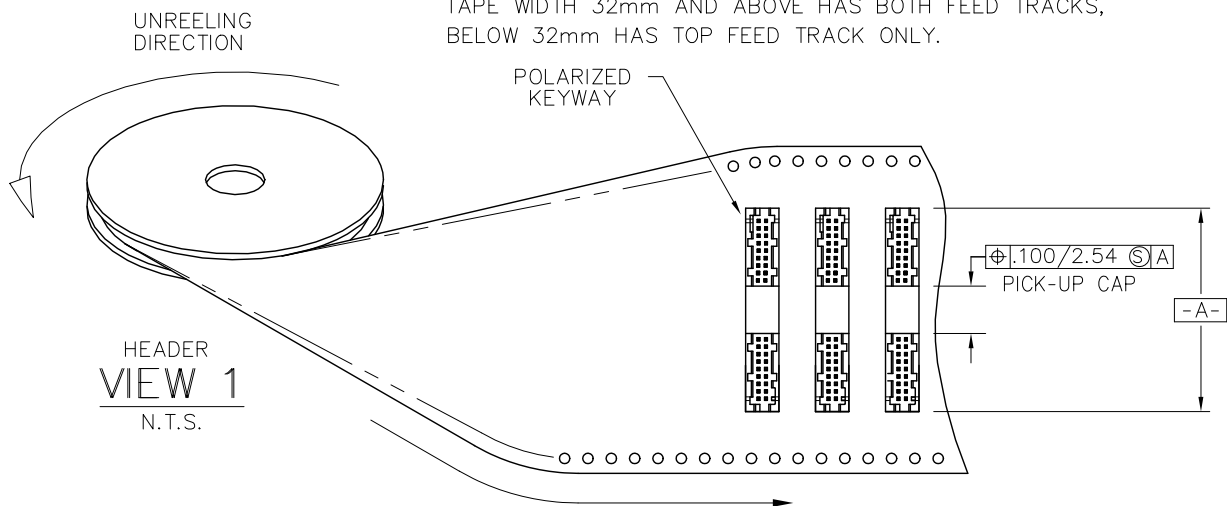
TABLE C

OBSOLETE

OBSOLETE
OBSOLETE

REFERENCE ONLY :

TAPE WIDTH 32mm AND ABOVE HAS BOTH FEED TRACKS,
BELOW 32mm HAS TOP FEED TRACK ONLY.



mat'l. code		surface		tolerance		projection		product family	
-		ISO 1302 ✓		ISO 406 ISO 1101				RIBCAGE	
ltr		ecn no dr date		tolerances unless otherwise specified		INCH/MM		title	
AG				.XX±.01/0.3				RIBCAGE III SMT VERT. HEADER ASS'Y	
				.XXX±.005/0.13		scale 3:1		dwg no sheet 6 of 8 size	
				±2'				95781 A3	
		dr		M. CORNMAN		6/07/95		FCI	
		engr		D. WHITING		6/07/95		type Product Customer Drawing	
		chr		D. WHITING		6/07/95			
		appd		D. WHITING		6/07/95			
sheet index		revision sheet							

PRODUCT NUMBER	QTY. REEL	TAPE WIDTH PITCH MM	CONNECTOR ORIENTATION IN TAPE POCKET
87409-135TR	500	72/12	VIEW 1
87409-140TR	↑	72/12	↑
87409-145TR		72/12	
87409-150TR		88/12	
87849-105TR		24/12	
87849-110TR		24/12	
87849-115TR		44/12	
87849-120TR		44/12	
87849-125TR		56/12	
87849-130TR		56/12	
87849-135TR		72/12	
87849-140TR		72/12	
87849-145TR		72/12	
87849-150TR		88/12	
88566-110TR		24/12	
88566-115TR		44/12	
88566-130TR	500	56/12	
90098-105TR	400	24/12	
90098-110TR	400	32/12	
90098-115TR	500	44/12	
90098-120TR	500	44/12	
90098-125TR	400	56/12	
90098-130TR	500	56/12	
90098-135TR	↑	72/12	
90098-140TR		72/12	
90098-145TR		72/12	
90098-150TR		88/12	
90863-110	↓	24/12	↓
90863-115	500	44/12	VIEW 1

TABLE C

mat'l. code		surface		tolerance		projection		product family	
-		ISO 1302 ✓		ISO 406 ISO 1101				RIBCAGE	
ltr	ecn	no	dr	date		tolerances unless otherwise specified		title	
AG						angles linear .XX±.01/0.3 .xxx±.005/0.13 ±2' .xxx±.0020/0.05		INCH/MM scale 3:1	
		dr		M. CORNMAN		6/07/95		RIBCAGE III SMT VERT. HEADER ASS'Y	
		engr		D. WHITING		6/07/95		dwg no 95781 sheet 7 of 8 size A3	
		chr		D. WHITING		6/07/95		type Product Customer Drawing	
		appd		D. WHITING		6/07/95			
sheet index	revision sheet								

PRODUCT NUMBER NOTE 11,4C	QTY. REEL	TAPE WIDTH PITCH MM	CONNECTOR ORIENTATION IN TAPE POCKET
90863-115REV	500	44/12	VIEW 2
90863-120	↑	44/12	VIEW 1
90863-125		56/12	↑
90863-130		56/12	
91036-110P		24/16	
93206-110TR	↓	24/12	
93206-115TR	500	44/12	
93221-105TR	400	24/12	
93221-110TR	400	32/12	
93221-115TR	500	44/12	
93221-120TR	500	44/12	
93221-125TR	400	56/12	
93221-130TR	500	56/12	
93221-135TR	↑	72/12	
93221-140TR		72/12	
93221-145TR	↓	72/12	↓
93221-150TR	500	88/12	VIEW 1

TABLE C

NOTES:

- ① XXXXX-XXXLF
 LEAD FREE OPTION (NOTE 11& 13)
 NUMBER OF POSITIONS (NOTE 2)
2. NUMBER OF POSITIONS = 05 THRU 50 IN 5 POS INCREMENTS.
 (EXAMPLE : 105=10 POS., 110=20 POS. ETC.)
- ③ REQUIRED ON -X40,-X45 & -X50 POSITION PARTS ONLY.
- ④ PACKAGING :
 A. ANTISTATIC TUBES. SEE TABLE A
 B. ADD "CT" TO END OF DASH NUMBER FOR CONNECTOR WITH VACUUM CAP IN ANTISTATIC TUBES.
 EX. : XXXXX-1XXCT
 C. PRESSURE SEALED TAPE AND REEL. SEE TABLE C FOR AVAILABLE PART NUMBERS.
5. HOUSING MATERIAL :
 GLASS FILLED THERMOPLASTIC FLAME RETARDANT PER UL 94V-0.
 COLOR : NATURAL
6. TERMINAL PLATING :
 30u"/.76u HARD GOLD OR GXT OVER 50u"/1.27u NI ON CONTACT ZONES.
 100u"/2.54u PURE TIN OVER 50u"/1.27u Ni IN SOLDERING ZONES.
- ⑦ MOLDING FLOW RESTRICTOR QUANTITY AND LOCATION IS MANUFACTURING OPTION.
- ⑧ VACUUM CAP SLOT REQUIRED ON ALL SIZES, SLOT MAY BE LOCATED ON OPPOSITE SIDE FOR 2 X 5.
- ⑨ STYLE 6 IS NOT AVAILABLE IN TAPE AND REEL.
- ⑩ 90863-1XX IS PACKAGED ONLY IN TAPE AND REEL.
- ⑪ ADD LF SUFFIX AT THE END OF PART NUMBER FOR LEAD FREE OPTION.
12. THE HOUSING WILL WITHSTAND EXPOSURE TO 260°C PEAK TEMPERATURE FOR 20 SECONDS IN A CONVECTION, INFRA-RED OR VAPOR PHASE REFLOW OVEN. SEE APPLICATION NOTE/PROCEDURES IF THEY ARE AVAILABLE.
13. THIS PRODUCT MEETS EUROPEAN UNION DIRECTIVES AND OTHER COUNTRY REGULATION AS DESCRIBED IN GS-22-008.
14. PRODUCT SPECIFICATION SEE BUS-12-087.

mat'l. code		surface		tolerance		projection		product family	
-		ISO 1302 ✓		ISO 406 ISO 1101				RIBCAGE	
ltr	ecn	no	dr	date		tolerances unless otherwise specified		title	
AG						.XX±.01/0.3 .XXX±.005/0.13 ±2' .XXXX±.0020/0.051		RIBCAGE III SMT VERT. HEADER ASS'Y	
						linear scale 3:1		INCH/MM scale 3:1	
			dr	M. CORNMAN	6/07/95			dwg no sheet 8 of 8 size	
			enrg	D. WHITING	6/07/95			95781 A3	
			chr	D. WHITING	6/07/95				
			appd	D. WHITING	6/07/95			type Product Customer Drawing	
sheet	revision								
index	sheet								

X-ON Electronics

Largest Supplier of Electrical and Electronic Components

Click to view similar products for [Headers & Wire Housings](#) category:

Click to view products by [Amphenol](#) manufacturer:

Other Similar products are found below :

[892-18-020-10-001101](#) [58102-G61-06LF](#) [582553-1](#) [0009485154](#) [009176003701906](#) [0050291907](#) [LY20-4P-DT1-P1E-BR](#) [02.125.8002.8](#)
[609-3404](#) [61062-3](#) [622-0430](#) [622-3653LF](#) [63453-116](#) [636-1030](#) [636-1427](#) [636-3427](#) [636-4007](#) [641938-9](#) [641991-4](#) [644827-2](#) [65817-010LF](#)
[65817-015LF](#) [65863-015LF](#) [66207-023LF](#) [67095-007LF](#) [67601157](#) [68648-049](#) [70.362.1628.0](#) [70-4210](#) [70-4226B](#) [70-4853B](#) [707-5020](#) [707-5028](#) [71.350.2428.0](#) [71918-208LF](#) [71961-016LF](#) [733-134](#) [733-162](#) [754199-000](#) [760-3052](#) [787-8014-00](#) [79531-3000](#) [FCN-360C032-B](#) [FCN-367T-T012/H](#) [FCN-723D010/2](#) [80.063.4001.1](#) [800-90-001-10-001000](#) [800-90-010-10-002000](#) [801-43-002-10-013000](#) [801-43-006-10-002000](#)