

NOTES:

1. MATERIALS AND FINISHES:  
 BODY - BERYLLIUM COPPER, WHITE BRONZE PLATING OVER SILVER  
 CONTACT - BERYLLIUM COPPER, GOLD PLATING  
 INSULATORS - PTFE

2. ELECTRICAL:  
 A. IMPEDANCE: 50 OHM  
 B. FREQUENCY RANGE: DC - 2 GHz  
 C. VSWR(RETURN LOSS): 1.2 MAX.  
 D. DIELECTRIC WITHSTANDING VOLTAGE: 1000 VRMS, MIN.

3. MECHANICAL:  
 A. DURABILITY: 100 CYCLES MIN.  
 B. TEMPERATURE RANGE: -65° C TO 165° C

4. PACKAGING:  
 A. QUANTITY: SINGLE PACK  
 B. MARKING: BAG TO BE MARKED  
 "AMPHENOL, 915-1000, AND DATE CODE"

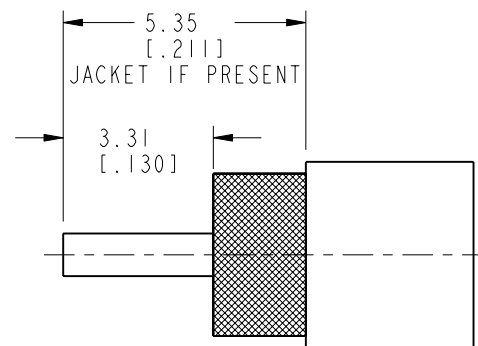
5. CABLE ENTRY DIMENSIONS

6. ASSEMBLY INSTRUCTIONS  
 A. STRIP CABLE TO DIMENSIONS SHOWN  
 B. SLIDE INSULATOR DISC OVER CABLE CENTER CONDUCTOR  
 C. SOLDER CONTACT ONTO CENTER CONDUCTOR  
 D. INSERT CONTACT TO CONNECTOR BODY, CONTACT SHOULD SNAP INTO INSULATOR  
 E. SOLDER JACKET TO CONNECTOR BODY

THIRD ANGLE PROJ.

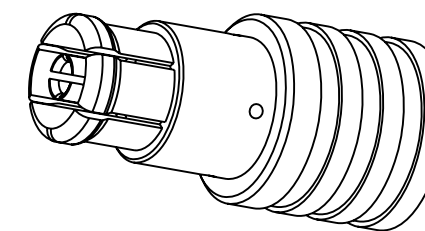
REVISIONS

REV	DESCRIPTION	DATE	ECO	APPR
A	RELEASE TO MFG.	25-Jun-13	49613	RLB
B	SEE SHEET 1	22-Aug-13	49704	SH
C	UPDATE TITLE BLOCK\N/A	15-Jul-16	01323	SH

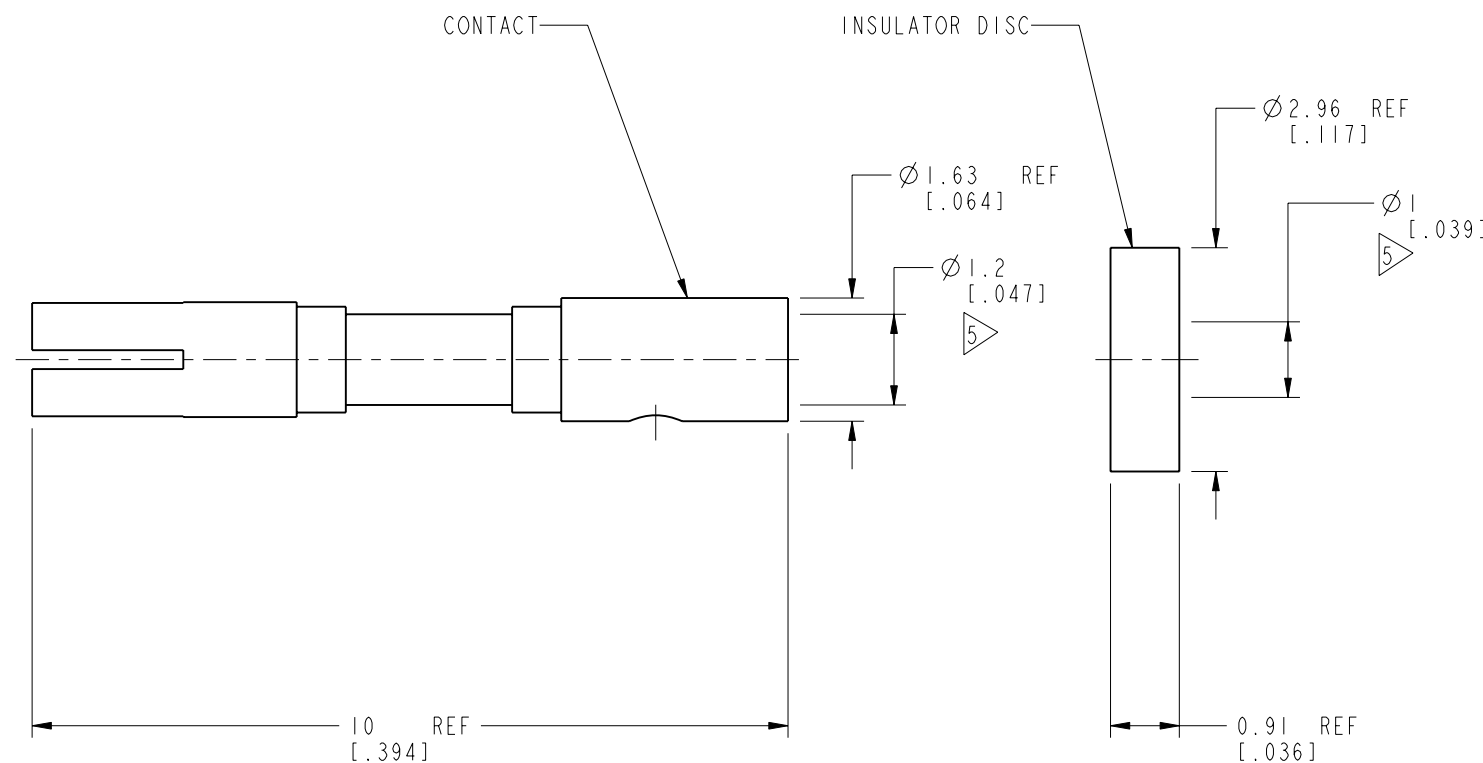
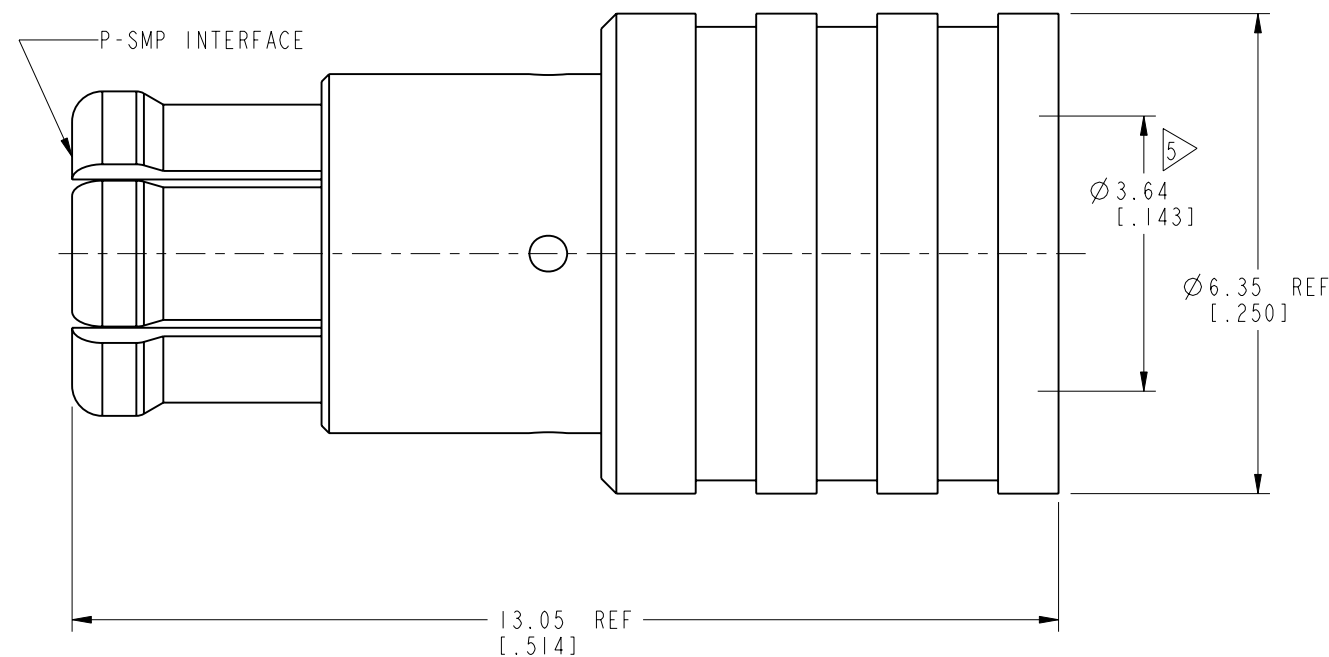


**RECOMMENDED CABLE STRIPPING DIMENSIONS**

SCALE 6.000



SCALE 4.000



**CUSTOMER OUTLINE DRAWING**

ALL OTHER SHEETS ARE FOR INTERNAL USE ONLY

UNLESS OTHERWISE SPECIFIED, DIMENSIONS ARE IN METRIC AND TOLERANCES ARE:  
 <0.5mm ±0.05mm    0.5 - 6mm ±0.1mm    6 - 30mm ±0.2mm    30 - 120mm ±0.3mm    ANGLES ±1°

NOTICE - These drawings, specifications, or other data (1) are, and remain the property of Amphenol corp. (2) must be returned upon request; and (3) are confidential and not to be disclosed to any person other than those to whom they are given by Amphenol Corp. the furnishing of these drawings, specifications, or other data by Amphenol Corp., or to any other person to anyone for any purpose is not to be regarded by implication or otherwise in any manner licensing, granting rights to permitting such holder or any other person to manufacture, use or sell any product, process or design, patented or otherwise, that may in any way be related to or disclosed by said drawings, specifications, or other data.

MATERIAL SEE NOTES	DRAWN M. ZHANG	DATE 15-Jul-16
REFERENCE AND CONFIGURATION LEVEL:	ENGINEER E. WANKOFF	DATE 22-Feb-13
FINISH	APPROVED S. HSIEH	DATE 15-Jul-16
	CAD FILE	

TITLE P-SMP STR PLUG (FOR .141" CABLE)
SCALE: 10.0:1.0 SHEET 2 OF 2
DWG SIZE B
REV C

Amphenol RF www.amphenolrf.com
DRAWING NO. 915-1000
ITEM NO. 915-1000
PART NO. 915-1000

## X-ON Electronics

Largest Supplier of Electrical and Electronic Components

*Click to view similar products for [RF Connectors / Coaxial Connectors](#) category:*

*Click to view products by [Amphenol](#) manufacturer:*

Other Similar products are found below :

[8915-1511-000](#) [89674-0827](#) [6001-7071-019](#) [6002-7051-003](#) [6002-7551-202](#) [6059674-1](#) [619550-1](#) [630059-000](#) [M39030/3-01N](#) [M3933/25-36N](#) [6500-7071-046](#) [6769](#) [CX050L2AQ](#) [7002-1542-011](#) [7004-1512-000](#) [7009-1511-004](#) [7010-1511-000](#) [7029-1511-060](#) [7101-1541-010](#) [7101-1571-002](#) [7105-1521-002](#) [7145-1521-002](#) [7203-1571-003](#) [7209-1511-011](#) [7210-1511-015](#) [7210-1511-019](#) [73137-5015](#) [73216-2241](#) [7325-1512-000](#) [73404-2300](#) [7405-1521-005](#) [7405-1521-802](#) [7406-1521-005](#) [8527](#) [8547](#) [FS11V](#) [8808-1511-001](#) [9049-9513-000](#) [9074-9513-000](#) [9101-9573-002](#) [910A205F](#) [9130-9573-002](#) [PL11SC-026](#) [PL375-33](#) [PL40-5](#) [PL71-9](#) [PL74C-221](#) [PL75MC-217](#) [PL803-7](#) [980-8666-005](#)